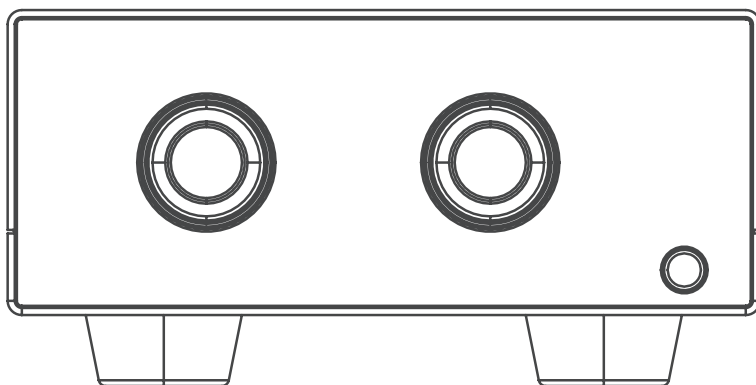


USER'S MANUAL
BEDIENUNGSANLEITUNG
MANUEL D'UTILISATION
MANUAL DE USUARIO
INSTRUKCJA OBSŁUGI
MANUALE D'USO

LDsystems 



PRE 2

2-CHANNEL MICROPHONE AND LINE MIXER

LDPRE2

CONTENTS / INHALTSVERZEICHNIS / CONTENU / CONTENIDO / TREŚĆ / CONTENUTO

ENGLISH

INFORMATION ON THIS SHORT MANUAL	3
INTENDED USE	3
DEFINITIONS AND SYMBOL EXPLANATIONS	3
SAFETY INSTRUCTIONS	4
INSTRUCTIONS FOR INDOOR INSTALLATION EQUIPMENT	6
PACKAGING CONTENT	7
INTRODUCTION	7
CONNECTIONS, OPERATING AND DISPLAY ELEMENTS	8
TERMINAL BLOCK CONNECTIONS	10
CONNECTION EXAMPLE	11
UNDER / ON-TABLE MOUNTING	12
CARE, MAINTENANCE AND REPAIR	12
DIMENSIONS	13
TECHNICAL SPECIFICATIONS	14
DISPOSAL	16
MANUFACTURER'S DECLARATIONS	17

DEUTSCH

INFORMATIONEN ZU DIESER KURZANLEITUNG	18
BESTIMMUNGSGEMÄSSER GEBRAUCH	18
BEGRIFFS- UND SYMBOLERKLÄRUNGEN	18
SICHERHEITSHINWEISE	19
HINWEISE FÜR INDOOR-INSTALLATIONSGERÄTE	21
PFLEGE, WARTUNG UND REPARATUR	22
ENTSORGUNG	23
HERSTELLERERKLÄRUNGEN	23

FRANCAIS

INFORMATIONS SUR CE MANUEL ABRÉGÉ	24
UTILISATION RÉGLEMENTÉE	24
EXPLICATIONS DES TERMES ET DES SYMBOLES	24
CONSIGNES DE SÉCURITÉ	25
NOTES POUR L'ÉQUIPEMENT D'INSTALLATION À L'INTÉRIEUR	27

ENTRETIEN, MAINTENANCE ET RÉPARATION	28
MISE EN DÉCHETTERIE	29
DÉCLARATIONS DU FABRICANT	29

ESPAÑOL

INFORMACIÓN SOBRE ESTE MANUAL ABREVIADO	30
USO CONFORME A LA NORMATIVA	30
EXPLICACIONES DE TÉRMINOS Y SÍMBOLOS	30
INSTRUCCIONES DE SEGURIDAD	31
NOTAS PARA LOS EQUIPOS DE INSTALACIÓN EN INTERIORES	33
CUIDADO, MANTENIMIENTO Y REPARACIÓN	34
DISPOSICIÓN	35
DECLARACIONES DEL FABRICANTE	35

POLSKI

INFORMACJE DOTYCZĄCE NINIEJSZEJ SKRÓCONEJ INSTRUKCJI OBSŁUGI	36
STOSOWANIE ZGODNIE Z PRZEPISAMI	36
OBJAŚNIENIA TERMINÓW I SYMBOLI	36
INSTRUKCJE BEZPIECZEŃSTWA	37
UWAGI DOTYCZĄCE SPRZĘTU DO INSTALACJI WEWNĘTRZNYCH	39
PIELĘGNACJA, KONSERWACJA I NAPRAWA	40
DYSPOZYCJA	41
OŚWIADCZENIA PRODUCENTA	41

ITALIANO

INFORMAZIONI SU QUESTO MANUALE BREVE	42
UTILIZZO IN CONFORMITÀ ALLE NORMATIVE	42
SPIEGAZIONI DI TERMINI E SIMBOLI	42
ISTRUZIONI DI SICUREZZA	43
NOTE PER LE APPARECCHIATURE DI INSTALLAZIONE ALL'INTERNO	45
CURA, MANUTENZIONE E RIPARAZIONE	46
SMALTIMENTO	47
DICHIARAZIONI DEL PRODUTTORE	47

COMPLETE USER MANUAL / VOLLSTÄNDIGE BEDIENUNGSANLEITUNG / MANUEL D'UTILISATION COMPLET / MANUAL DE USUARIO COMPLETO / KOMPLETNY PODRĘCZNIK UŻYTKOWNIKA / MANUALE D'USO COMPLETO



PRE 2 USER MANUAL ONLINE

Scan this QR Code to get to the download section of LDPRE2.

Here you can get the complete User manual in the following languages:

EN, DE, FR, ES, PL, IT

www.id-systems.com/LDPRE2-downloads

YOU MADE THE RIGHT CHOICE!

This device was developed and manufactured under high quality requirements to ensure many years of trouble-free operation. This is what LD Systems stands for with its name and many years of experience as a manufacturer of high-quality audio products. Please read these operating instructions carefully so that you can quickly and optimally use your new LD Systems product.

You can find more information about **LD Systems** on our website WWW.LD-SYSTEMS.COM

INFORMATION ON THIS SHORT MANUAL

These instructions do not replace the detailed operating instructions (www.ld-systems.com/LDPRE2downloads).

Please always read the detailed operating instructions first before operating the unit and observe the additional safety instructions contained therein!

INTENDED USE

The product is a device for professional audio installation!

The product has been developed for professional use in the field of audio installation and is not intended for household use!

Furthermore, this product is intended for installation by qualified personnel with specialist knowledge and for operation by properly trained persons!

Use of the product that is not in accordance with the specified technical data and operating conditions is considered improper use!

Liability is exempted when damage and third-party damage to persons and property is caused by inappropriate use!

The product is not suitable for:

- Use by persons (including children) with limited physical, sensory or mental abilities or lack of experience and knowledge.
- Children (children must be ordered not to play with the device).

DEFINITIONS AND SYMBOL EXPLANATIONS

1. **DANGER:** The word DANGER, possibly in combination with a symbol, indicates immediately dangerous situations or conditions risking life and limb.
2. **WARNING:** The word WARNING, possibly in combination with a symbol, indicates potentially dangerous situations or conditions for life and limb.
3. **CAUTION:** The word CAUTION, possibly in combination with a symbol, is used to indicate situations or conditions that may lead to injury.
4. **ATTENTION:** The word ATTENTION, possibly in combination with a symbol, refers to situations or conditions that can lead to damage to property and/or the environment.



This symbol identifies hazards that can cause electric shock.



This symbol identifies hazardous areas or hazardous situations.



This symbol indicates hazards caused by hot surfaces.



This symbol indicates dangers due to high volume levels.



This symbol indicates additional information on the operation of the product.



This symbol denotes a device that does not contain any user-serviceable parts.



This symbol indicates a device that may only be used in dry rooms.

SAFETY INSTRUCTIONS



DANGER:

1. Do not open the device and do not make any modifications.
2. If your device no longer functions properly, if liquids or objects get inside it or if it has been damaged in any other way, switch it off immediately and disconnect it from the mains. The device may be repaired only by authorised repair technicians.
3. For devices of protection class 1 the protective conductor must be connected correctly. Never disconnect the protective conductor. Devices of protection class 2 do not have a protective conductor.
4. Ensure that live cables are not kinked or otherwise mechanically damaged.
5. Never bypass the device fuse.



WARNING:

1. The device may not be operated if it shows obvious signs of damage.
2. The device may only be installed in a voltage-free state.
3. If the power cable of the device is damaged, do not operate the device.
4. Permanently attached power cables may only be replaced by a qualified person.

**ATTENTION:**

1. Do not switch on the device if it has been exposed to extreme temperature fluctuations (for example, following transport). Moisture and condensation can damage the device. Switch on the device only when it has reached ambient temperature.
2. Make sure that the voltage and frequency of the mains supply correspond to the values indicated on the device. If the device has a voltage selector switch, do not turn the device on until it has been set correctly. Use only suitable power cables.
3. To disconnect the device from the mains at all poles, it is not sufficient to press the on/off switch on the device.
4. Make sure that the fuse used corresponds to the type specified on the device.
5. Make sure that appropriate measures have been taken against power surges (e.g. lightning strike).
6. Observe the specified maximum output current on devices with Power Out connection. Ensure that the total current consumption of all connected devices does not exceed the specified value.
7. Replace pluggable power cables only with original cables.

**DANGER:**

1. Danger of suffocation! Plastic bags and small parts must be kept out of reach of persons (including children) with reduced physical, sensory or mental capabilities.
2. Danger caused by falling device! Make sure that the device is securely installed and cannot fall down. Only use suitable stands or mounts (particularly for fixed installations). Ensure that accessories are properly installed and secured. Ensure that all applicable safety regulations are observed.

**WARNING:**

1. Use the device in the prescribed manner only.
2. Operate the device using only accessories of the type recommended and supplied by the manufacturer.
3. During installation, observe the safety regulations applicable in your country.
4. After connecting the device, check all cable routes to avoid damage or accidents, e.g. due to tripping hazards.
5. Always observe the specified minimum distance to normally flammable materials! Unless explicitly stated, the minimum distance is 0.3 m.

**CAUTION:**

1. Moving components such as mounting brackets pose a jamming hazard.
2. In the case of devices with motor-driven components, there is a risk of injury due to the movement of the device. Sudden movement of the device can cause shock reactions.

**ATTENTION:**

1. Do not install or operate the device near any radiators, storage heaters, stoves or other heat sources. Ensure that the device is always installed in such a way that it is sufficiently cooled and cannot overheat.
2. Do not place ignition sources such as lighted candles near the device.
3. Ventilation openings must not be covered and fans must not be blocked.
4. Use the original packaging or packaging provided by the manufacturer for transport.
5. Avoid shock or impact to the device.
6. Observe the IP protection class as well as the ambient conditions such as temperature and humidity according to the specification.
7. Devices can be continuously further developed. In the event of any discrepancies between the operating instructions and the device labelling with regard to operating conditions, performance or other device characteristics, the information on the device always takes precedence.
8. The device is not suitable for tropical climates and for operation above 2000 m above sea level.

**CAUTION:**

Connecting signal cables can cause significant interference noise. Make sure that devices connected to the output are muted when plugged in. Otherwise, noise levels may cause damage.

**CAUTION: HIGH VOLUME AUDIO PRODUCTS!**

This device is designed for professional use.

The commercial operation of this device is subject to the applicable national regulations and guidelines for accident prevention.

Hearing damage due to high volume and continuous exposure: Use of this product may generate high sound pressure levels (SPL) that may cause hearing damage. Avoid exposure to high volumes.

**INSTRUCTIONS FOR INDOOR INSTALLATION EQUIPMENT**

1. Devices for installation applications are designed for continuous operation.
2. Devices for indoor installation are not weather-resistant.
3. Surfaces and plastic parts can age even in installation equipment, e.g. due to UV radiation and temperature fluctuations. This generally does not impair functionality.
4. With permanently installed devices, the accumulation of impurities, e.g. dust, is to be expected. Always observe the care instructions.
5. Unless explicitly stated otherwise on the device or in the technical data, the devices are intended for installation heights of less than 5 m.

PACKAGING CONTENT

Remove the product from the packaging and remove all packaging material.

Please check the completeness and integrity of the delivery and notify your distribution partner immediately after purchase if the delivery is incomplete or damaged.

The packaging includes:

- 1 x PRE 2 installation preamplifier
- 1 x power supply unit
- 1 set of terminal blocks
- 1 set of rubber feet (pre-assembled)
- 1 x mounting set for under- or on-table mounting
- User manual

INTRODUCTION

Part of the TICA®series, the PRE2 is a compact two channel line and mic mixer. Ideal for smaller installations, mix stereo audio from any media source with a microphone for announcements.

Incredibly easy to use with two simple volume control knobs, with signal presence and clip lights.

The built in audio ducker function automatically reduces the music level when an announcement is being made. Connect a wired remote for simple master volume control. Dip switches let you configure it to work in stereo or mono mode.

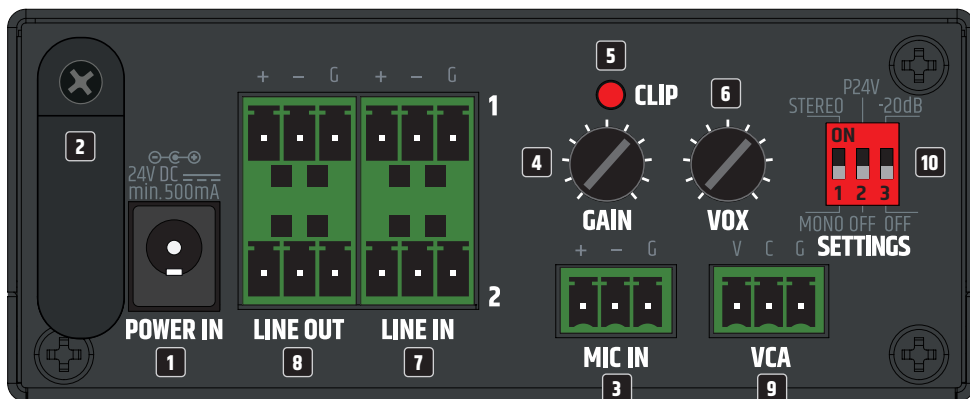
Measuring 106 x 44 x 222, its convenient form factor and included mounting plates allow it to be installed discreetly almost anywhere. Alternatively, it fits into ¼ 19 inch rack. Use the optional rack tray to slot up to four TICA®series products alongside each other and build a system to your exact requirements, using minimal rack space.

The PRE2 uses an external 24 V power supply. Terminal block connections for the analogue inputs and outputs make wiring easy.

FEATURES

- 1x Balanced stereo line-Input
- 1x Mic Input with gain control
- Stereo line output (switchable to mono)
- Remote level control
- Automatic music ducking for announcements

CONNECTIONS, OPERATING AND DISPLAY ELEMENTS



1 POWER IN

Low voltage socket for supplying power to the device. To avoid damage to the device, please use only the original power supply (power supply unit included).

2 STRAIN RELIEF

Use the strain relief for the flexible cable of the power supply unit to protect the low voltage socket, the low voltage plug and the cable of the power supply unit from damage and to prevent the plug from being pulled out unintentionally.

3 MIC IN

Microphone input with 3-pole terminal block connection (terminal block included). The poles +, - and G are intended for the balanced input signal.

4 GAIN

Control for adjusting the pre-amplification of the microphone input signal. Adjust the gain control so that the corresponding clip LED only lights up briefly during signal level peaks. If the clip LED lights up permanently, reduce the gain. If necessary, the signal level can be attenuated by 20 dB (see section 10 SETTINGS)

5 CLIP

The red CLIP LED lights up when the input is operated at the distortion threshold. Reduce the signal level using the GAIN control so that the CLIP LED no longer lights up.

6 VOX

The VOX control allows you to set an audio threshold for an automatic mute circuit that mutes the line inputs LINE IN 1 and 2 if the microphone input signal reaches the predefined level. When the input level of the microphone channel falls below the set threshold again, the muting of the line inputs is cancelled. Adjust the channel volume using the MIC VOLUME control on the front of the unit.

7 LINE IN 1 + 2

Analogue line inputs with balanced terminal block connections. The +, - and G poles are for the balanced input signal (suitable for unbalanced cabling). Terminal blocks are included in the packaging content.

8 LINE OUT 1 + 2

Analogue line outputs with balanced terminal block connections. The poles +, - and G are intended for the balanced output signal (suitable for unbalanced cabling). Terminal blocks are included in the packaging content.

9 VCA

Terminal block connection for connecting an external volume control for continuously variable attenuation of the mix volume at the LINE OUT line output. The mixing ratio of the microphone and line channels is maintained when adjusting the mix volume. The maximum volume (control to the right stop) corresponds to the volume that is reached when no external volume control is connected to the device. Please observe the correct assignment of the terminal block poles (see TERMINAL BLOCK CONNECTIONS in this manual).

10 SETTINGS

DIP switch 1 MONO / STEREO:

STEREO: A stereo signal applied to LINE IN is output in stereo at the line output LINE OUT 1 / 2.

MONO: A stereo signal applied to LINE IN is summed to mono and output at the line output LINE OUT 1 / 2.

DIP switch 2 P24V:

If a condenser microphone is used, 24 V phantom power must be activated (switch -> ON). Always make sure that the microphone is connected and the channel volume is set to minimum before switching on phantom power. Before disconnecting the microphone from the device, turn the channel volume to minimum and then deactivate phantom power (switch -> OFF).

DIP switch 3 -20dB:

Switch for attenuating the signal level at the MIC IN microphone input by 20 dB (switch -> ON).



11 STANDBY BUTTON AND POWER SYMBOL

Press the button to activate standby mode and again to deactivate standby mode. The power symbol lights up red when standby mode is activated. When standby mode is deactivated and the device is operational, the symbol lights up white.

12 MIC VOLUME

Volume control for the microphone channel. Turning to the right increases the volume, turning to the left decreases it.

13 LINE VOLUME

Volume control for the line channel. Turning to the right increases the volume, turning to the left decreases it.

14 SIG (SIGNAL)

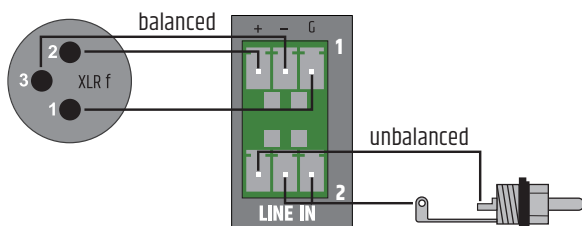
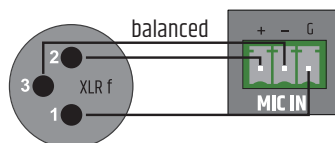
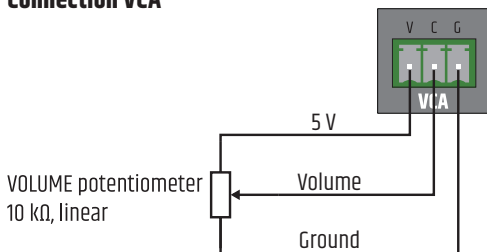
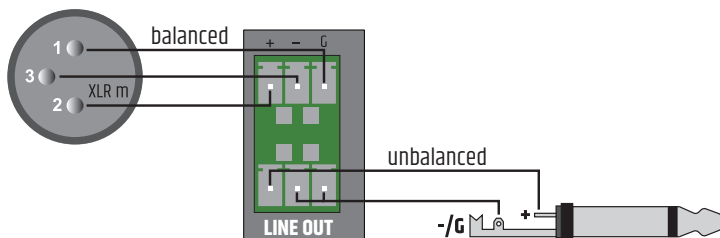
When an audio signal is present at the line output LINE OUT, the signal indicator lights up white.

15 CLIP

The CLIP indicator lights up when the LINE OUT output is overloaded. If this occurs, reduce the volume level. Failure to do so may result in distorted sound reproduction and damage to connected equipment.

AIR VENTS

To prevent damage to the device, do not cover the ventilation openings on the left and right sides and on the top and bottom of the device and ensure that air can circulate freely. Covering the ventilation openings on the top or bottom of the enclosure when mounting it underneath or on top of a table is not critical, as the cooling provided by the ventilation openings on the remaining sides is sufficient.

TERMINAL BLOCK CONNECTIONS**Connections LINE IN 1 / 2****Connection MIC IN****Connection VCA****Connections LINE OUT**



ATTENTION: When wiring terminal blocks, please note the correct assignment of the poles/terminals. The manufacturer accepts no liability for damage caused by faulty wiring!



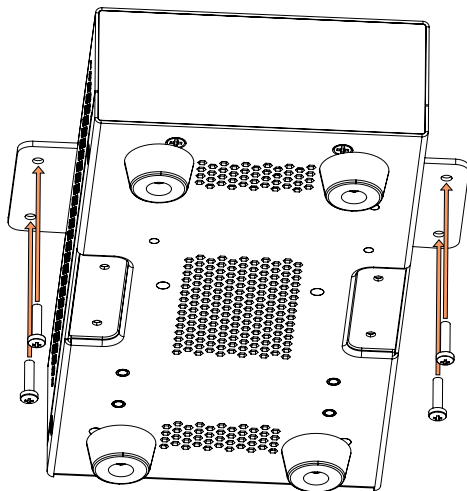
Tip: For wiring analogue line inputs and outputs it is preferable to use balanced audio cables.

CONNECTION EXAMPLE



UNDER / ON-TABLE MOUNTING

There are two recesses on the top and bottom of the housing, each with two M3 threaded holes, for mounting underneath or on top of the table. Attach the two included mounting plates to the top or bottom using the included M3 countersunk screws. Now the amplifier can be mounted in the desired position (see illustration, mounting screws not included). For tabletop mounting, the four rubber feet must first be removed.



CARE, MAINTENANCE AND REPAIR

In order to ensure the long-term, proper functioning of the device, it must be regularly cleaned and, if necessary, serviced. The maintenance requirement depends on the intensity of use and the environment in which it is used.

We recommend a visual inspection before each operation. Furthermore, we recommend carrying out all the applicable service measures specified below once every 500 operating hours or, in the case of a lower intensity of use, at the latest after one year. Warranty claims may be limited should defects result from inadequate service and maintenance.

CARE (CARRIED OUT BY USER)



WARNING! Before carrying out any care and maintenance work, the power supply and, if possible, all device connections must be disconnected.



NOTE! Improper care can lead to impairment or even destruction of the device.

1. Housing surfaces must be cleaned with a clean, damp cloth. Make sure that no moisture can penetrate the device.
2. Air inlets and outlets must be regularly cleaned of dust and dirt. If compressed air is used, make sure that damage to the device is prevented (e.g. fans must be blocked in this case).

3. Cables and connectors must be cleaned regularly and dust and dirt must be removed.
4. In general, no cleaning or disinfection agents or abrasive agents may be used, as they may damage the surface finish. Solvents in particular, such as alcohol, can impair the function of housing seals.
5. Devices must generally be stored in a dry environment and protected from dust and dirt.

MAINTENANCE AND REPAIR (BY QUALIFIED PERSONNEL ONLY)



DANGER! There are live components in the device. Even after disconnecting the mains connection, there may still be residual voltage in the device, e.g. due to charged capacitors.



PLEASE NOTE! There are no user-serviceable assemblies in the device.

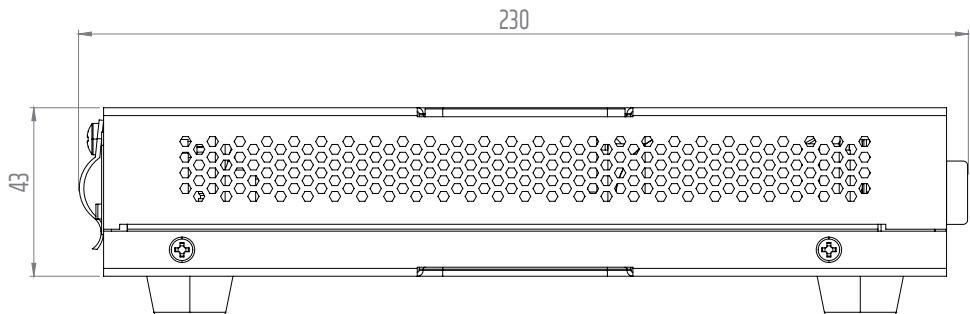
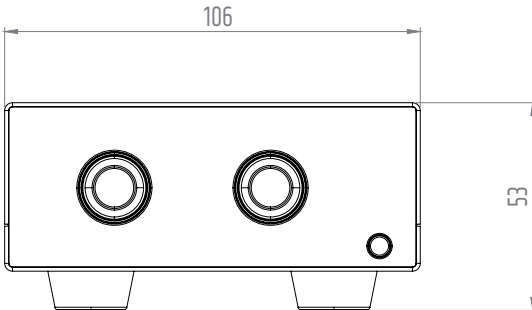


NOTE! Maintenance and repair work may only be carried out by specialist personnel authorised by the manufacturer. If in doubt, consult the manufacturer.



PLEASE NOTE! Improperly performed maintenance work may affect warranty claims.

DIMENSIONS (mm)



TECHNICAL SPECIFICATIONS

Item number	LDPRE2
Product type	Installation mixing preamplifier
Mic inputs	1
Line inputs	1 (Stereo)
Line outputs	1 (Stereo)
Cooling system	Convection cooling
Priority levels	2
Mic input	
Nominal input sensitivity	15 mVrms
Nominal input clipping	550 mVrms
THD+N	< 0.05%
Frequency response (-3dB)	150 Hz - 20 kHz
Input Impedance	Mic: 4 k Ohms
SNR	>85 dB
SNR (best conditions)	Mic: >90 dB
CMRR IEC	> 45 dB
Gain	Mic: 18 to 48 dB
Pad	-20 dB
Phantom power	+24 V, 10 mA Switchable
VOX threshold	Mic: 0%: Off, 25%: -40 dBu, 50%: -50 dBu, 100%: -63 dBu
Connector	3-pin Terminal Block, pitch 3.81mm
Line input	
Nominal input sensitivity	12 dBu (Sine 1 kHz, Gain max)
Nominal input clipping	14 dBu (Sine 1 kHz, Gain max)
THD+N	< 0.02% (20 - 20 kHz, Gain max, 20 kHz BW)
Frequency response	15 Hz - 30 kHz (-0.5 dB)
Input impedance	35 kOhms (Balanced)
SNR	>113 dB (Gain max (0 dB), VCA Level max., 22 kHz BW, A-weighted)
Stereo separation (crosstalk)	100dB (1kHz)
CMRR	> 50 dB
Gain	3dB
Connector	2x 3-pin Terminal Block, pitch 3.81mm

Item number	LDPRE2
Line Output	
Connector	3-pin Terminal block, pitch 3.81mm
Maximum output level	16 dBu
3rd Party Control	
Connector	3-pin Terminal block, pitch 3.5mm
Main volume (VCA)	10k (Linear Taper) External Potentiometer
Power Supply	
Type	External SMPS
Voltage range	100 VAC - 240 VAC ($\pm 10\%$), 50 - 60 Hz
Power supply plugs	Type C - EU, Type A - USA/Canada, Type G - UK Type I - Australia
Power supply secondary	24 VDC / 500 mA
Max power consumption	6 W
Idle power consumption	5 W
Max. standby power consumption	0.4 W
General	
Housing material	Steel
Front panel material	Plastic
Dimensions (W x H x D)	106 x 54 x 227 mm (height with rubber feet)
Rack height	1 RU
Rack width	1/4 19"
Weight	0.8 kg
Operating temperature	0°C - 40°C
Max. operating humidity (non condensing)	85%
Included accessories	External power supply with interchangeable plugs, Mounting plates for surface mount applications
Optional accessories	Rack mounting hardware (LDTICARK)

ENGLISH

DEUTSCH

FRANÇAIS

ESPAÑOL

POLSKI

ITALIANO

DISPOSAL



Packaging:

1. Packaging can be fed into the reusable material cycle using the usual disposal methods.
2. Please separate the packaging in accordance with the disposal laws and recycling regulations in your country.



Device:

1. This device is subject to the European Directive on Waste Electrical and Electronic Equipment, as amended. WEEE Directive Waste Electrical and Electronic Equipment. Electronic devices and batteries do not belong in household waste. The device or batteries must be disposed of via an authorised waste disposal company or a municipal waste disposal facility. Please observe the applicable regulations in your country!
2. Observe all disposal laws applicable in your country.
3. As a private customer, you can obtain information on environmentally-friendly disposal options from the vendor of the product or the appropriate regional authorities.

MANUFACTURER'S DECLARATIONS

MANUFACTURER'S WARRANTY & LIMITATIONS OF LIABILITY

Adam Hall GmbH, Adam-Hall-Str. 1, D-61267 Neu Anspach / E-mail Info@adamhall.com / +49 (0)6081 / 9419-0.

Our current warranty conditions and limitation of liability can be found at:

https://cdn-shop.adamhall.com/media/pdf/MANUFACTURERS-DECLARATIONS_LD_SYSTEMS.pdf.

Contact your distribution partner for service.

UKCA-CONFORMITY

Hereby, Adam Hall Ltd. declares that this product meets the following guidelines (where applicable):

Electrical Equipment (Safety) Regulations 2016

Electromagnetic Compatibility Regulations 2016 (SI 2016/1091)

The Restriction of the Use of Certain Hazardous Substances in Electrical and Electronic Equipment Regulation 2012 (SI 2012/3032)

Radio Equipment Regulations 2017 (SI 2016/2015)

UKCA-DECLARATION OF CONFORMITY

Products that are subject to Electrical Equipment(Safety)Regulation 2016, EMC Regulation 2016 or RoHS Regulation can be requested at info@adamhall.com.

Products that are subject to the Radio Equipments Regulations 2017

(SI2017/1206) can be downloaded from www.adamhall.com/compliance/

CE CONFORMITY

Adam Hall GmbH hereby confirm that this product meets the following guidelines (where applicable):

R&TTE (1999/5/EC) or RED (2014/53/EU) as of June 2017.

Low Voltage Directive (2014/35/EU)

EMC Directive (2014/30/EU)

RoHS (2011/65/EU)

The complete Declaration of Conformity can be found at www.adamhall.com.

Furthermore, you can also request it at info@adamhall.com.

CE DECLARATION OF CONFORMITY

Declarations of conformity for products subject to the LVD, EMC, RoHS Directive can be requested from info@adamhall.com.

Declarations of conformity for products subject to RED Directive

can be downloaded from www.adamhall.com/compliance/.

Subject to misprints and errors, as well as technical or other modifications!

SIE HABEN DIE RICHTIGE WAHL GETROFFEN!

Dieses Gerät wurde unter hohen Qualitätsanforderungen entwickelt und gefertigt, um viele Jahre einen reibungslosen Betrieb zu gewährleisten. Dafür steht LD Systems mit seinem Namen und der langjährigen Erfahrung als Hersteller hochwertiger Audioprodukte. Bitte lesen Sie diese Bedienungsanleitung sorgfältig, damit Sie Ihr neues Produkt von LD Systems schnell optimal einsetzen können. Mehr Informationen zu **LD Systems** finden Sie auf unserer Internetseite WWW.LD-SYSTEMS.COM

INFORMATIONEN ZU DIESER KURZANLEITUNG

Diese Kurzanleitung ersetzt nicht die ausführliche Bedienungsanleitung. Lesen Sie bitte immer zuerst die vollständige und produktrelevante Bedienungsanleitung vor Inbetriebnahme. Beachten Sie auch die zusätzlichen Sicherheitshinweise in der vollständigen Bedienungsanleitung des Produkts! Die vollständige Bedienungsanleitung finden Sie unter www.ld-systems.com/LDPRE2 bzw. können Sie diese abrufen unter dem QR Code.



BESTIMMUNGSGEMÄSSER GEBRAUCH

Bei dem Produkt handelt es sich um ein Gerät für professionelle Audioinstallation! Das Produkt ist für den professionellen Einsatz im Bereich der Audioinstallation entwickelt worden und ist nicht für die Verwendung in Haushalten vorgesehen! Weiterhin ist dieses Produkt zur Installation durch qualifizierte Personen mit Fachkenntnissen, sowie zur Bedienung durch unterwiesene Personen vorgesehen! Die Benutzung des Produkts außerhalb der spezifizierten technischen Daten und Betriebsbedingungen gilt als nicht bestimmungsgemäß!

Haftung für Schäden und Drittschäden an Personen und Sachen durch nicht bestimmungsgemäßen Gebrauch ist ausgeschlossen!

Das Produkt ist nicht geeignet für:

- Personen (einschließlich Kinder) mit eingeschränkten körperlichen, sensorischen oder geistigen Fähigkeiten oder mangelnder Erfahrung und Kenntnis.
- Kinder (Kinder müssen angewiesen werden, nicht mit dem Gerät zu spielen).

BEGRIFFS- UND SYMBOLERKLÄRUNGEN

1. **GEFAHR:** Mit dem Wort GEFAHR, evtl. in Kombination mit einem Symbol, wird auf unmittelbar gefährliche Situationen oder Zustände für Leib und Leben hingewiesen.
2. **WARNUNG:** Mit dem Wort WARNUNG, evtl. in Kombination mit einem Symbol, wird auf potentiell gefährliche Situationen oder Zustände für Leib und Leben hingewiesen.
3. **VORSICHT:** Mit dem Wort VORSICHT, evtl. in Kombination mit einem Symbol, wird auf Situationen oder Zustände hingewiesen, die zu Verletzungen führen können.
4. **ACHTUNG:** Mit dem Wort ACHTUNG, evtl. in Kombination mit einem Symbol, wird auf Situationen oder Zustände hingewiesen, die zu Sach- und/oder Umweltschäden führen können.



Dieses Symbol kennzeichnet Gefahren, die einen elektrischen Schlag verursachen können.



Dieses Symbol kennzeichnet Gefahrenstellen oder gefährliche Situationen.



Dieses Symbol kennzeichnet Gefahren durch heiße Oberflächen.



Dieses Symbol kennzeichnet Gefahren durch hohe Lautstärken.



Dieses Symbol kennzeichnet ergänzende Informationen zur Bedienung des Produkts.



Dieses Symbol kennzeichnet ein Gerät, in dem sich keine vom Benutzer austauschbaren Teile befinden.



Dieses Symbol kennzeichnet ein Gerät, das nur in trockenen Räumen verwendet werden darf.

SICHERHEITSHINWEISE



GEFAHR:

1. Öffnen Sie das Gerät nicht und verändern Sie es nicht.
2. Wenn Ihr Gerät nicht mehr ordnungsgemäß funktioniert, Flüssigkeiten oder Gegenstände in das Geräteinnere gelangt sind, oder das Gerät anderweitig beschädigt wurde, schalten Sie es sofort aus und trennen es von der Spannungsversorgung. Dieses Gerät darf nur von autorisiertem Fachpersonal repariert werden.
3. Bei Geräten der Schutzklasse 1 muss der Schutzleiter korrekt angeschlossen werden. Unterbrechen Sie niemals den Schutzleiter. Geräte der Schutzklasse 2 haben keinen Schutzleiter.
4. Sorgen Sie dafür, dass spannungsführende Kabel nicht geknickt oder anderweitig mechanisch beschädigt werden.
5. Überbrücken Sie niemals die Gerätesicherung.



WARNUNG:

1. Das Gerät darf nicht in Betrieb genommen werden, wenn es offensichtliche Beschädigungen aufweist.
2. Das Gerät darf nur im spannungsfreien Zustand installiert werden.
3. Wenn das Netzkabel des Geräts beschädigt ist, darf das Gerät nicht in Betrieb genommen werden.
4. Fest angeschlossene Netzleitungen dürfen nur von einer qualifizierten Person ersetzt werden.

**ACHTUNG:**

1. Nehmen Sie das Gerät nicht in Betrieb, wenn es starken Temperaturschwankungen ausgesetzt war (beispielsweise nach dem Transport). Feuchtigkeit und Kondensat könnten das Gerät beschädigen. Schalten Sie das Gerät erst ein, wenn es Umgebungstemperatur erreicht hat.
2. Stellen Sie sicher, dass die Spannung und die Frequenz des Stromnetzes mit den auf dem Gerät angegebenen Werten übereinstimmen. Verfügt das Gerät über einen Spannungswahlschalter, schließen Sie das Gerät erst an, wenn dieser korrekt eingestellt ist. Nutzen Sie nur geeignete Netzkabel.
3. Um das Gerät allpolig vom Netz zu trennen genügt es nicht, den Ein-/Aus-Schalter am Gerät zu betätigen.
4. Stellen Sie sicher, dass die eingesetzte Sicherung dem auf dem Gerät abgedruckten Typ entspricht.
5. Stellen Sie sicher, dass geeignete Maßnahmen gegen Überspannung (z.B. Blitzschlag) ergriffen wurden.
6. Beachten Sie den angegebenen maximalen Ausgangsstrom an Geräten mit Power Out Anschluss. Beachten Sie, dass die gesamte Stromaufnahme aller angeschlossenen Geräte den vorgegebenen Wert nicht überschreitet.
7. Ersetzen Sie steckbare Netzleitungen nur durch Originalleitungen.

**GEFAHR:**

1. Erstickungsgefahr! Kunststoffbeutel und Kleinteile müssen außer Reichweite von Personen (einschließlich Kindern) mit eingeschränkten körperlichen, sensorischen oder geistigen Fähigkeiten aufbewahrt werden.
2. Gefahr durch Herabfallen! Stellen Sie sicher, dass das Gerät sicher installiert ist und nicht herunterfallen kann. Verwenden Sie ausschließlich geeignete Stative bzw. Befestigungen (im Besonderen bei Festinstallationen). Stellen Sie sicher, dass Zubehör ordnungsgemäß installiert und gesichert ist. Achten Sie dabei darauf, dass geltende Sicherheitsbestimmungen eingehalten werden.

**WARNUNG:**

1. Verwenden Sie das Gerät nur in der vorgesehenen Art und Weise.
2. Betreiben Sie das Gerät nur mit dem vom Hersteller empfohlenen und vorgesehenen Zubehör.
3. Beachten Sie bei der Installation die für Ihr Land geltenden Sicherheitsvorschriften.
4. Überprüfen Sie nach dem Anschluss des Geräts alle Kabelwege, um Schäden oder Unfälle, z. B. durch Stolperfallen zu vermeiden.
5. Beachten Sie unbedingt den angegebenen Mindestabstand zu normal entflammaren Materialien! Sofern dieser nicht explizit ausgewiesen ist, beträgt der Mindestabstand 0,3 m.

**VORSICHT:**

1. Bei beweglichen Bauteilen wie Montagebügeln, oder sonstigen beweglichen Bauteilen besteht die Möglichkeit sich zu klemmen.
2. Bei Geräten mit motorisch angetriebenen Bauteilen besteht Verletzungsgefahr durch die Bewegung des Gerätes. Plötzliche Gerätebewegungen können zu Schreckreaktionen führen.



ACHTUNG:

1. Installieren und betreiben Sie das Gerät nicht in der Nähe von Heizkörpern, Wärmespeichern, Öfen oder sonstigen Wärmequellen. Sorgen Sie dafür, dass das Gerät immer so installiert ist, dass es ausreichend gekühlt wird und nicht überhitzen kann.
2. Platzieren Sie keine Zündquellen wie z.B. brennende Kerzen in der Nähe des Geräts.
3. Lüftungsöffnungen dürfen nicht abgedeckt und Lüfter nicht blockiert werden.
4. Nutzen Sie zum Transport die Originalverpackung oder vom Hersteller dafür vorgesehene Verpackungen.
5. Vermeiden Sie, dass Erschütterung oder Schläge auf das Gerät einwirken.
6. Beachten Sie die IP-Schutzart, sowie die Umgebungsbedingungen wie Temperatur und Luftfeuchtigkeit entsprechend der Spezifizierung.
7. Geräte können stetig weiterentwickelt werden. Bei abweichenden Angaben zu Betriebsbedingungen, Leistung oder sonstigen Geräteeigenschaften zwischen Bedienungsanleitung und Gerätebeschriftung, hat immer die Angabe auf dem Gerät Priorität.
8. Das Gerät ist nicht für tropische Klimazonen und für den Betrieb oberhalb 2000 m über NN geeignet.



VORSICHT:

Das Anschließen von Signalkabeln kann zu erheblichen Störgeräuschen führen. Achten Sie darauf, dass am Ausgang angeschlossene Geräte bei Steckvorgängen stummgeschaltet sind. Andernfalls können Pegel von Störgeräuschen zu Schäden führen.



ACHTUNG HOHE LAUTSTÄRKEN BEI AUDIOPRODUKTEN!

Dieses Gerät ist für den professionellen Einsatz vorgesehen.

Der kommerzielle Betrieb dieses Geräts unterliegt den jeweils gültigen nationalen Vorschriften und Richtlinien zur Unfallverhütung.

Gehörschäden durch hohe Lautstärken und Dauerbelastung: Bei der Verwendung dieses Produkts können hohe Schalldruckpegel (SPL) erzeugt werden, die zu Gehörschäden führen können. Vermeiden Sie die Belastung durch hohe Lautstärken.



HINWEISE FÜR INDOOR-INSTALLATIONSGERÄTE

1. Geräte für Installationsanwendungen sind für den Dauerbetrieb ausgelegt.
2. Geräte für die Inneninstallation sind nicht witterungsbeständig.
3. Oberflächen sowie Kunststoffteile können auch bei Installationsgeräten, z.B. durch UV-Einstrahlung und Temperaturschwankungen altern. Dies führt i.d.R. nicht zu Funktionseinschränkungen.
4. Bei fest installierten Geräten ist mit der Ablagerung von Verunreinigungen, z.B. Staub, zu rechnen. Beachten Sie unbedingt die Pflegehinweise.
5. Sofern nicht auf dem Gerät oder in den technischen Daten explizit anders ausgewiesen, sind die Geräte für Montagehöhen kleiner 5 m vorgesehen.

PFLEGE, WARTUNG UND REPARATUR

Um die einwandfreie Funktion des Geräts auf Dauer zu gewährleisten, muss es regelmäßig gepflegt und bei Bedarf gewartet werden. Der Pflege- bzw. Wartungsbedarf steht in Abhängigkeit der Nutzungsintensität und -umgebung.

Wir empfehlen generell eine Sichtprüfung vor jeder Inbetriebnahme. Weiterhin empfehlen wir alle 500 Betriebsstunden, oder bei geringerer Nutzungsintensität spätestens nach Ablauf eines Jahres alle unten genannten und zutreffenden Pflegemaßnahmen durchzuführen. Bei Mängeln, die auf eine unzureichende Pflege zurückzuführen sind, kann es zu Einschränkungen der Garantieansprüche kommen.

PFLEGE (VOM ANWENDER DURCHFÜHRBAR)



WARNUNG! Vor jeglichen Pflegemaßnahmen müssen die Spannungsversorgung und sofern möglich sämtliche Geräteverbindungen getrennt werden.



HINWEIS! Unsachgemäße Pflege kann zu Beeinträchtigung des Gerätes führen bis hin zur Zerstörung.

1. Gehäuseoberflächen müssen mit einem sauberen, feuchten Tuch gereinigt werden. Dabei ist darauf zu achten, dass keine Feuchtigkeit in das Gerät eindringen kann.
2. Luft Ein- und Austrittsöffnungen müssen regelmäßig von Staub und Schmutz befreit werden. Im Fall des Einsatzes von Druckluft ist darauf zu achten, dass Beschädigungen am Gerät verhindert werden (z.B. müssen Lüfter für diesen Fall blockiert werden).
3. Leitungen und Steckkontakte sind regelmäßig zu reinigen und von Staub und Schmutz zu befreien.
4. Es dürfen generell keine Reinigungs-, Desinfektionsmittel oder Mittel mit schleifender Wirkung zur Pflege verwendet werden, andernfalls ist mit Beeinträchtigung der Oberflächenbeschaffenheit zu rechnen. Speziell durch Lösemittel, wie Alkohol, können Gehäusedichtungen in ihrer Funktion beeinträchtigt werden.
5. Geräte sind generell trocken zu lagern und vor Staub und Verschmutzung zu schützen.

WARTUNG UND REPARATUR (NUR DURCH FACHPERSONAL)



GEFAHR! Im Gerät befinden sich Spannungsführende Bauteile. Auch nach Trennung der Netzverbindung kann noch Restspannung im Gerät vorhanden sein, z.B. durch geladene Kondensatoren.



HINWEIS! Im Gerät befinden sich keine für den Anwender zu wartenden Baugruppen.



HINWEIS! Wartungs- und Reparaturmaßnahmen dürfen nur vom Hersteller autorisiertem Fachpersonal durchgeführt werden. Im Zweifel wenden Sie sich an den Hersteller.



HINWEIS! Unsachgemäß ausgeführte Wartungsarbeiten können den Gewährleistungsanspruch beeinträchtigen.

ENTSORGUNG



Verpackung:

1. Verpackungen können über die üblichen Entsorgungswege dem Wertstoffkreislauf zugeführt werden.
2. Bitte trennen Sie die Verpackung entsprechend der Entsorgungsgesetze und Wertstoffverordnungen in Ihrem Land.



Gerät:

1. Dieses Gerät unterliegt der europäischen Richtlinie für Elektro- und Elektronik-Altgeräte in der jeweils geltenden aktuellen Fassung. WEEE-Richtlinie Waste Electrical and Electrical Equipment. Altgeräte und Batterien gehören nicht in den Hausmüll. Das Altgerät bzw. Batterien müssen über einen zugelassenen Entsorgungsbetrieb oder eine kommunale Entsorgungseinrichtung entsorgt werden. Bitte beachten Sie geltende Vorschriften in Ihrem Land!
2. Beachten Sie alle in Ihrem Land geltenden Entsorgungsgesetze.
3. Als Privatkunde erhalten Sie Informationen zu umweltfreundlichen Entsorgungsmöglichkeiten über den Händler, bei dem das Produkt erworben wurde, oder über die entsprechenden regionalen Behörden.

HERSTELLERERKLÄRUNGEN

HERSTELLERGARANTIE & HAFTUNGSBESCHRÄNKUNG

Adam Hall GmbH, Adam-Hall-Str. 1, D-61267 Neu Anspach / E-Mail Info@adamhall.com / +49 (0)6081 / 9419-0. Unsere aktuellen Garantiebedingungen und Haftungsbeschränkung finden Sie unter: https://cdn-shop.adamhall.com/media/pdf/MANUFACTURERS-DECLARATIONS_LD_SYSTEMS.pdf. Im Servicefall wenden Sie sich an Ihren Vertriebspartner.

CE-KONFORMITÄT

Hiermit erklärt die Adam Hall GmbH, dass dieses Produkt folgender Richtlinie entspricht (soweit zutreffend):

R&TTE (1999/5/EG) bzw. RED (2014/53/EU) ab Juni 2017

Niederspannungsrichtlinie (2014/35/EU)

EMV-Richtlinie (2014/30/EU)

RoHS (2011/65/EU)

Die vollständige Konformitätserklärung finden Sie unter www.adamhall.com.

Des Weiteren können Sie diese auch unter info@adamhall.com anfragen.

EU-KONFORMITÄTserklärung

Konformitätserklärungen für Produkte, die unter die LVD-, EMV- und RoHS Richtlinien fallen, können unter info@adamhall.com angefordert werden.

Konformitätserklärungen für Produkte, die der RED-Richtlinie unterliegen, können unter www.adamhall.com/compliance/ abgerufen werden.

Druckfehler und Irrtümer, sowie technische oder sonstige Änderungen sind vorbehalten!

VOUS AVEZ FAIT LE BON CHOIX !

Cet appareil a été conçu et fabriqué selon des normes de qualité élevées afin de garantir un fonctionnement sans faille pendant de nombreuses années. C'est ce que LD Systems représente avec son nom et sa longue expérience en tant que fabricant de produits audio de haute qualité. Veuillez lire attentivement ce mode d'emploi afin de pouvoir utiliser rapidement votre nouveau produit LD Systems de manière optimale. Vous trouverez plus d'informations sur **LD Systems** sur notre site Internet WWW.LD-SYSTEMS.COM

INFORMATIONS SUR CE MANUEL ABRÉGÉ

Ce manuel abrégé ne remplace pas le manuel d'utilisation complet. Avant la mise en service, veuillez toujours lire le mode d'emploi complet et pertinent pour le produit. Respectez également les consignes de sécurité supplémentaires figurant dans le mode d'emploi complet du produit! Vous trouverez le manuel d'utilisation complet à l'adresse www.ld-systems.com/LDPRE2-downloads vous pouvez l'ouvrir à l'aide du code QR.

**UTILISATION RÉGLEMENTÉE**

Le produit est un appareil destiné à une installation audio professionnelle !

Le produit a été développé pour une utilisation professionnelle dans le domaine de l'installation audio et n'est pas destiné à être utilisé dans les foyers !

En outre, ce produit est destiné à être installé par des personnes qualifiées ayant des connaissances spécialisées et à être utilisé par des personnes instruites !

L'utilisation du produit en dehors des caractéristiques techniques et des conditions d'exploitation spécifiées est considérée comme non conforme à l'usage prévu !

La responsabilité pour les dommages et les dommages causés à des personnes et à des biens par une utilisation non conforme est exclue !

Le produit n'est pas adapté pour :

- Les personnes (y compris les enfants) dont les capacités physiques, sensorielles ou mentales sont réduites, ou qui manquent d'expérience et de connaissances.
- Les enfants (les enfants doivent être informés de ne pas jouer avec l'appareil).

EXPLICATIONS DES TERMES ET DES SYMBOLES

1. **DANGER** : le mot DANGER, éventuellement associé à un symbole, indique des situations ou des états directement dangereux pour la vie et l'intégrité corporelle.
2. **AVERTISSEMENT** : le mot DANGER, éventuellement associé à un symbole, indique des situations ou des états éventuellement dangereux pour la vie et l'intégrité corporelle.
3. **ATTENTION** : le mot ATTENTION, éventuellement accompagné d'un symbole, est utilisé pour attirer l'attention sur des situations ou des états pouvant entraîner des blessures.
4. **ATTENTION** : le mot ATTENTION, éventuellement accompagné d'un symbole, est utilisé pour attirer l'attention sur des situations ou des états pouvant entraîner des dommages matériels et/ou environnementaux.



Ce symbole indique les dangers qui peuvent provoquer un choc électrique.



Ce symbole signale les endroits dangereux ou les situations dangereuses.



Ce symbole indique les dangers liés aux surfaces chaudes.



Ce symbole indique les dangers liés à un volume sonore élevé.



Ce symbole signale des informations complémentaires sur l'utilisation du produit.



Ce symbole indique un appareil qui ne contient aucune pièce remplaçable par l'utilisateur.



Ce symbole indique un équipement électrique conçu principalement pour une utilisation en intérieur.

CONSIGNES DE SÉCURITÉ



DANGER :

1. N'ouvrez pas l'appareil et ne le modifiez pas.
2. Si votre appareil ne fonctionne plus correctement, si des liquides ou des objets ont pénétré à l'intérieur de l'appareil ou si l'appareil a été endommagé d'une autre manière, éteignez-le immédiatement et débranchez-le de l'alimentation électrique. Cet appareil ne peut être réparé que par un personnel qualifié et autorisé.
3. Pour les appareils de la classe de protection 1, le conducteur de protection doit être correctement raccordé. N'interrompez jamais le conducteur de protection. Les appareils de la classe de protection 2 n'ont pas de conducteur de protection.
4. Veillez à ce que les câbles sous tension ne soient pas pliés ou endommagés mécaniquement d'une autre manière.
5. Ne shuntez jamais le fusible de l'appareil.



AVERTISSEMENT

1. L'appareil ne doit pas être mis en service s'il présente des dommages évidents.
2. L'appareil ne doit être installé que lorsqu'il est hors tension.
3. Si le câble d'alimentation de l'appareil est endommagé, l'appareil ne doit pas être mis en service.
4. Les câbles d'alimentation raccordés de manière fixe ne peuvent être remplacés que par une personne qualifiée.

**ATTENTION**

1. Ne mettez pas l'appareil en service s'il a été exposé à de fortes variations de température (par exemple après le transport). L'humidité et la condensation pourraient endommager l'appareil. Ne mettez pas l'appareil en marche tant qu'il n'a pas atteint la température ambiante.
2. Assurez-vous que la tension et la fréquence du réseau électrique correspondent aux valeurs indiquées sur l'appareil. Si l'appareil dispose d'un sélecteur de tension, ne branchez pas l'appareil tant que celui-ci n'est pas correctement réglé. N'utilisez que des câbles d'alimentation appropriés.
3. Pour couper l'appareil du secteur sur tous les pôles, il ne suffit pas d'actionner l'interrupteur marche/arrêt de l'appareil.
4. Assurez-vous que le fusible utilisé correspond au type imprimé sur l'appareil.
5. Assurez-vous que des mesures appropriées ont été prises contre les surtensions (par exemple, la foudre).
6. Respectez le courant de sortie maximal indiqué pour les appareils équipés d'une connexion Power Out. Veillez à ce que la consommation totale de courant de tous les appareils connectés ne dépasse pas la valeur prédéfinie.
7. Ne remplacez les câbles d'alimentation enfichables que par des câbles d'origine.

**DANGER :**

1. Risque d'étouffement ! Les sacs en plastique et les petites pièces doivent être tenus hors de portée des personnes (y compris les enfants) dont les capacités physiques, sensorielles ou mentales sont réduites.
2. Danger de chute ! Assurez-vous que l'appareil est installé de manière sûre et qu'il ne peut pas tomber. Utilisez uniquement des trépieds ou des fixations appropriés (en particulier pour les installations fixes). Assurez-vous que les accessoires sont correctement installés et sécurisés. Veillez à ce que les règles de sécurité en vigueur soient respectées.

**AVERTISSEMENT**

1. N'utilisez l'appareil que de la manière prévue.
2. N'utilisez l'appareil qu'avec les accessoires recommandés et prévus par le fabricant.
3. Lors de l'installation, respectez les consignes de sécurité en vigueur dans votre pays.
4. Après avoir branché l'appareil, vérifiez tous les chemins de câbles afin d'éviter tout dommage ou accident, par exemple en cas de trébuchement.
5. Respectez impérativement la distance minimale indiquée par rapport aux matériaux normalement inflammables ! Dans la mesure où celle-ci n'est pas explicitement indiquée, la distance minimale est de 0,3 mètre.

**ATTENTION**

1. Les éléments mobiles tels que les étriers de montage ou autres éléments mobiles peuvent se coincer.
2. Les appareils dotés de composants entraînés par un moteur présentent un risque de blessure dû au mouvement de l'appareil. Des mouvements soudains de l'appareil peuvent entraîner des réactions de peur.



ATTENTION

1. N'installez pas et n'utilisez pas l'appareil à proximité de radiateurs, d'accumulateurs de chaleur, de fours ou d'autres sources de chaleur. Veillez à ce que l'appareil soit toujours installé de manière à ce qu'il soit suffisamment refroidi et qu'il ne puisse pas surchauffer.
2. Ne placez pas de sources d'inflammation telles que des bougies allumées à proximité de l'appareil.
3. Les ouvertures de ventilation ne doivent pas être recouvertes et les ventilateurs ne doivent pas être bloqués.
4. Pour le transport, utilisez l'emballage d'origine ou les emballages prévus à cet effet par le fabricant.
5. Éviter de soumettre l'appareil à des secousses ou à des chocs.
6. Respectez l'indice de protection IP, ainsi que les conditions ambiantes telles que la température et l'humidité de l'air, conformément aux spécifications.
7. Les appareils peuvent être développés en permanence. En cas de divergence entre les indications relatives aux conditions de fonctionnement, à la puissance ou à d'autres caractéristiques de l'appareil entre le mode d'emploi et l'inscription sur l'appareil, c'est toujours l'indication sur l'appareil qui prime.
8. L'appareil n'est pas adapté aux climats tropicaux ni à une utilisation au-dessus de 2000 m d'altitude.



ATTENTION :

Le raccordement de câbles de signal peut entraîner des bruits parasites importants. Veillez à ce que les appareils raccordés à la sortie soient mis en sourdine lors des opérations de branchement. Dans le cas contraire, les niveaux de bruits parasites peuvent entraîner des dommages.



ATTENTION AUX VOLUMES ÉLEVÉS DES PRODUITS AUDIO !

Cet appareil est destiné à un usage professionnel.

L'utilisation commerciale de cet appareil est soumise aux réglementations et directives nationales en vigueur en matière de prévention des accidents.

Lésions auditives dues à un volume sonore élevé et à une exposition continue : l'utilisation de ce produit peut générer des niveaux de pression sonore (SPL) élevés susceptibles d'entraîner des lésions auditives. Évitez l'exposition à des volumes sonores élevés.



NOTES POUR L'ÉQUIPEMENT D'INSTALLATION À L'INTÉRIEUR

1. Les appareils destinés aux applications d'installation sont conçus pour un fonctionnement continu.
2. Les unités destinées à une installation intérieure ne sont pas étanches.
3. Les surfaces et les pièces en plastique des équipements d'installation peuvent également vieillir, par exemple sous l'effet des rayons UV et des variations de température. Cela n'entraîne généralement pas de restrictions fonctionnelles.
4. Pour les appareils installés à demeure, il faut s'attendre à un dépôt d'impuretés, par exemple de la poussière. Veillez à respecter les instructions d'entretien.
5. Sauf indication contraire explicite sur l'appareil, les appareils sont prévus pour des hauteurs d'installation inférieures à 5 m.

ENTRETIEN, MAINTENANCE ET RÉPARATION

Pour garantir le bon fonctionnement de l'appareil à long terme, il faut l'entretenir régulièrement et le réviser si nécessaire. Les besoins en matière d'entretien et de maintenance dépendent de l'intensité et de l'environnement d'utilisation.

Nous recommandons généralement un contrôle visuel avant chaque mise en service. En outre, nous recommandons d'effectuer toutes les 500 heures de fonctionnement ou, en cas d'utilisation moins intensive, au plus tard après un an, toutes les mesures d'entretien mentionnées ci-dessous et applicables. En cas de défauts dus à un entretien insuffisant, les droits à la garantie peuvent être limités.

ENTRETIEN (RÉALISABLE PAR L'UTILISATEUR)



AVERTISSEMENT ! Avant toute opération d'entretien, il faut couper l'alimentation électrique et, si possible, toutes les connexions de l'appareil.



REMARQUE ! Un entretien inapproprié peut entraîner une détérioration de l'appareil, voire sa destruction.

1. Les surfaces du boîtier doivent être nettoyées avec un chiffon propre et humide. Il faut veiller à ce que l'humidité ne puisse pas pénétrer dans l'appareil.
2. Air Les ouvertures d'entrée et de sortie doivent être régulièrement nettoyées de la poussière et de la saleté. En cas d'utilisation d'air comprimé, il faut veiller à éviter d'endommager l'appareil (par exemple, les ventilateurs doivent être bloqués pour ce cas).
3. Les câbles et les contacts enfichables doivent être nettoyés régulièrement et débarrassés de la poussière et de la saleté.
4. En règle générale, il ne faut pas utiliser de produits de nettoyage, de désinfection ou de produits à effet abrasif pour l'entretien, sinon il faut s'attendre à une détérioration de la qualité de la surface. Le fonctionnement des joints de boîtier peut être altéré, en particulier par des solvants tels que l'alcool.
5. Les appareils doivent généralement être stockés au sec et protégés de la poussière et des salissures.

ENTRETIEN ET RÉPARATION (UNIQUEMENT PAR DU PERSONNEL QUALIFIÉ)



DANGER ! Il y a des composants vivants dans l'unité. Même après le débranchement de l'alimentation, une tension résiduelle peut encore être présente dans l'unité, par exemple en raison de condensateurs chargés.



REMARQUE ! L'appareil ne contient pas de modules à entretenir par l'utilisateur.



REMARQUE ! Les mesures de maintenance et de réparation ne doivent être effectuées que par un personnel spécialisé autorisé par le fabricant. En cas de doute, adressez-vous au fabricant.



REMARQUE ! Les travaux d'entretien réalisés de manière incorrecte peuvent compromettre le droit à la garantie.

MISE EN DÉCHETTERIE



Emballage :

1. Les emballages peuvent être intégrés au circuit de recyclage par les voies de déchets habituelles.
2. Veuillez trier les emballages conformément aux lois sur l'élimination des déchets et aux décrets sur les matériaux recyclables en vigueur dans votre pays.



Appareil :

1. Cet appareil est soumis à la directive européenne relative aux déchets d'équipements électriques et électroniques (DEEE) dans sa version actuelle. Directive WEEE Waste Electrical and Electronical Equipment. Les appareils usagés et les piles ne doivent pas être jetés avec les ordures ménagères. L'appareil usagé ou les piles doivent être éliminés par une entreprise de recyclage agréée ou par un service de recyclage communal. Veuillez respecter la réglementation en vigueur dans votre pays !
2. Respectez toutes les lois sur l'élimination des déchets en vigueur dans votre pays.
3. En tant que client privé, vous pouvez obtenir des informations sur les possibilités d'élimination respectueuses de l'environnement auprès du revendeur auprès duquel le produit a été acheté ou auprès des autorités régionales correspondantes.

DÉCLARATIONS DU FABRICANT

GARANTIE DU FABRICANT & LIMITATION DE RESPONSABILITÉ

Adam Hall GmbH, Adam-Hall-Str. 1, D-61267 Neu Anspach / E-Mail Info@adamhall.com / +49 (0)6081 / 9419-0.

Vous trouverez nos conditions de garantie actuelles et la limitation de responsabilité sur : https://cdn-shop.adamhall.com/media/pdf/MANUFACTURERS-DECLARATIONS_LD_SYSTEMS.pdf.
En cas de service, adressez-vous à votre partenaire commercial.

CONFORMITÉ CE

Par la présente, Adam Hall GmbH déclare que ce produit est conforme à la directive suivante (le cas échéant):

R&TTE (1999/5/CE) ou RED (2014/53/UE) à partir de juin 2017.

Directive basse tension (2014/35/EU)

Directive EMV (2014/30/EU)

RoHS (2011/65/EU)

La déclaration de conformité complète peut être consultée sur le site www.adamhall.com.

En outre, vous pouvez également la demander à l'adresse info@adamhall.com.

DÉCLARATION DE CONFORMITÉ EU

Les déclarations de conformité pour les produits couverts par les directives LVD, EMC et RoHS peuvent être demandées à l'adresse info@adamhall.com.

Les déclarations de conformité pour les produits soumis à la directive RED, peuvent être obtenues à l'adresse www.adamhall.com/compliance/.

Sous réserve de fautes d'impression et d'erreurs, ainsi que de modifications techniques ou autres !

HA TOMADO LA DECISIÓN CORRECTA

Esta unidad ha sido diseñada y fabricada con altos estándares de calidad para garantizar muchos años de funcionamiento sin problemas. Esto es lo que representa LD Systems con su nombre y sus muchos años de experiencia como fabricante de productos de audio de alta calidad. Lea atentamente este manual de instrucciones para poder sacar rápidamente el máximo partido a su nuevo producto de LD Systems. Puede encontrar más información sobre **LD Systems** en nuestra página web WWW.LD-SYSTEMS.COM

INFORMACIÓN SOBRE ESTE MANUAL ABREVIADO

Estas instrucciones breves no sustituyen al manual de instrucciones completo. Antes de la puesta en marcha, lea siempre el manual de instrucciones completo y relevante para el producto. Tenga en cuenta también las instrucciones de seguridad adicionales que figuran en el manual de instrucciones completo del producto.

El manual de usuario completo se encuentra en www.ld-systems.com/LDPRE2-downloads o puede abrirlo mediante el código QR.



USO CONFORME A LA NORMATIVA

El producto es un dispositivo para la instalación de audio profesional.

El producto ha sido desarrollado para el uso profesional en el campo de la instalación de audio y no está destinado al uso doméstico.

Además, este producto está destinado a ser instalado por personas cualificadas con conocimientos especializados y a ser manejado por personas instruidas.

El uso del producto sin tener en cuenta de los datos técnicos y las condiciones de funcionamiento especificadas se considera un uso inadecuado.

Queda excluida la responsabilidad por daños y perjuicios a personas y bienes debido a un uso inadecuado. El producto no es adecuado para:

- Personas (incluidos niños) con capacidades físicas, sensoriales o mentales reducidas o con falta de experiencia o conocimientos.
- Niños (los niños deben ser instruidos para no jugar con el aparato).

EXPLICACIONES DE TÉRMINOS Y SÍMBOLOS

1. **PELIGRO** : La palabra PELIGRO, posiblemente en combinación con un símbolo, indica inmediatamente situaciones o condiciones peligrosas para la vida y la integridad física.
2. **ADVERTENCIA** : La palabra ADVERTENCIA, posiblemente en combinación con un símbolo, indica situaciones o condiciones potencialmente peligrosas para la vida y la integridad física.
3. **CUIDADO** : La palabra CUIDADO, posiblemente en combinación con un símbolo, se utiliza para indicar situaciones o condiciones que pueden provocar lesiones.
4. **PRECAUCIÓN** : La palabra PRECAUCIÓN, posiblemente en combinación con un símbolo, se utiliza para indicar situaciones o condiciones que pueden provocar daños a la propiedad y/o al medio ambiente.



Este símbolo indica los peligros que pueden causar una descarga eléctrica.



Este símbolo indica los puntos de peligro o las situaciones peligrosas.



Este símbolo indica los peligros debidos a las superficies calientes.



Este símbolo indica los peligros debidos a niveles de volumen elevados.



Este símbolo indica información complementaria sobre el funcionamiento del producto.



Este símbolo indica una unidad que no contiene ninguna pieza reemplazable por el usuario.



Este símbolo indica que el equipo eléctrico está diseñado principalmente para su uso en interiores.

INSTRUCCIONES DE SEGURIDAD



PELIGRO:

1. No abra ni modifique la unidad.
2. Si el aparato deja de funcionar correctamente, si se han introducido líquidos u objetos en el interior del aparato, o si éste ha sufrido algún otro tipo de daño, apáguelo inmediatamente y desconéctelo de la red eléctrica. Este aparato sólo puede ser reparado por especialistas autorizados.
3. Para las unidades de la clase de protección 1, el conductor de tierra de protección debe estar conectado correctamente. No interrumpa nunca el conductor de protección de tierra. Los dispositivos de la clase de protección 2 no tienen un conductor de protección a tierra.
4. Asegúrese de que los cables con tensión no estén doblados o dañados mecánicamente.
5. Nunca puentee el fusible de la unidad.



ADVERTENCIA:

1. La unidad no debe ponerse en funcionamiento si presenta daños evidentes.
2. La unidad sólo puede instalarse sin conectar a la corriente.
3. Si el cable de alimentación de la unidad está dañado, no utilice la unidad.
4. Los cables de red conectados permanentemente sólo pueden ser sustituidos por una persona cualificada.

**ATENCIÓN:**

1. No utilice el aparato si ha estado expuesto a grandes fluctuaciones de temperatura (por ejemplo, después del transporte). La humedad y la condensación podrían dañar la unidad. No encienda el aparato hasta que haya alcanzado la temperatura ambiente.
2. Asegúrese de que la tensión y la frecuencia de la red eléctrica coinciden con los valores indicados en el aparato. Si el aparato dispone de un selector de tensión, no lo conecte hasta que esté correctamente ajustado. Utilice únicamente cables de red adecuados.
3. Para desconectar el aparato de la red eléctrica en todos los polos, no basta con pulsar el interruptor de encendido/apagado del aparato.
4. Asegúrese de que el fusible utilizado corresponde al tipo impreso en la unidad.
5. Asegúrese de que se han tomado las medidas adecuadas contra la sobretensión (por ejemplo, la caída de un rayo).
6. Respete la corriente de salida máxima especificada en las unidades con conexión Power Out. Asegúrese de que el consumo total de corriente de todas las unidades conectadas no supera el valor especificado.
7. Sustituya los cables de red enchufables únicamente por cables originales.

**PELIGRO:**

1. ¡Peligro de asfixia! Las bolsas de plástico y las piezas pequeñas deben mantenerse fuera del alcance de las personas (incluidos los niños) con capacidades físicas, sensoriales o mentales reducidas.
2. ¡Peligro de caída! Asegúrese de que la unidad está bien instalada y no puede caerse. Utilice únicamente soportes o fijaciones adecuadas (especialmente para instalaciones permanentes). Asegúrese de que los accesorios están correctamente instalados y asegurados. Asegúrese de que se respetan las normas de seguridad aplicables.

**ADVERTENCIA:**

1. Utilice el aparato sólo de la manera prevista.
2. Utilice el aparato sólo con los accesorios recomendados y previstos por el fabricante.
3. Durante la instalación, respete las normas de seguridad aplicables en su país.
4. Después de conectar el aparato, compruebe todos los recorridos de los cables para evitar daños o accidentes, por ejemplo, por peligro de tropiezo.
5. Asegúrese de respetar la distancia mínima especificada con respecto a los materiales normalmente inflamables. Si no se indica explícitamente, la distancia mínima es de 0,3 m.

**ATENCIÓN:**

1. En el caso de los componentes móviles, como los soportes de montaje u otros componentes móviles, existe la posibilidad de que se produzcan atascos.
2. En el caso de las unidades con componentes accionados por motor, existe el riesgo de lesiones por el movimiento de la unidad. Los movimientos bruscos del equipo pueden provocar reacciones de sobresalto.



ATENCIÓN:

1. No instale ni haga funcionar el aparato cerca de radiadores, registros de calor, estufas u otras fuentes de calor. Asegúrese siempre que la unidad está instalada de forma que esté suficientemente refrigerada y no pueda sobrecalentarse.
2. No coloque fuentes de ignición, como velas encendidas, cerca del aparato.
3. Las aberturas de ventilación no deben estar cubiertas y los ventiladores no deben estar bloqueados.
4. Utilice la protección original o la caja proporcionada por el fabricante para el transporte.
5. Evite golpes o impactos en la unidad.
6. Tenga en cuenta la clase de protección IP, así como las condiciones ambientales, como la temperatura y la humedad, según la especificación.
7. Los dispositivos pueden seguir desarrollándose constantemente. En caso de discrepancias entre las instrucciones de uso y el etiquetado del aparato en lo que respecta a las condiciones de funcionamiento, el rendimiento u otras características del aparato, siempre tiene prioridad la información del aparato.
8. La unidad no es adecuada para climas tropicales y para el funcionamiento por encima de los 2000 m sobre el nivel del mar.



ATENCIÓN:

La conexión de los cables de señal puede provocar un ruido considerable. Asegúrese de que los dispositivos conectados a la salida están silenciados cuando se enchufan. De lo contrario, los niveles de ruido pueden causar daños.



¡ATENCIÓN A LOS PRODUCTOS DE AUDIO DE ALTO VOLUMEN!

Esta unidad está destinada a un uso profesional.

La operación comercial de este aparato está sujeta a las regulaciones y directrices nacionales aplicables para la prevención de accidentes.

Daños auditivos debidos a un volumen elevado y a una exposición continua: El uso de este producto puede generar niveles de presión sonora (SPL) elevados que pueden causar daños auditivos. Evitar la exposición a un volumen alto.



NOTAS PARA LOS EQUIPOS DE INSTALACIÓN EN INTERIORES

1. Las unidades para aplicaciones de instalación están diseñadas para un funcionamiento continuo.
2. Las unidades para instalación en interiores no son resistentes a la intemperie.
3. Las superficies y las piezas de plástico de los equipos de instalación también pueden envejecer, por ejemplo, debido a la radiación UV y a las fluctuaciones de temperatura. Por lo general, esto no conlleva restricciones de funcionamiento.
4. En los equipos instalados de forma permanente es de esperar que se depositen impurezas, por ejemplo, polvo. Tenga en cuenta las instrucciones de cuidado.
5. A menos que se indique explícitamente lo contrario en la unidad, las unidades están previstas para alturas de instalación inferiores a 5 m.

CUIDADO, MANTENIMIENTO Y REPARACIÓN

Para garantizar el buen funcionamiento de la unidad a largo plazo, es necesario realizar un mantenimiento periódico y las revisiones necesarias. La necesidad de cuidado y mantenimiento depende de la intensidad de uso y del entorno.

Por lo general, recomendamos una inspección visual antes de cada puesta en marcha. Además, le recomendamos que lleve a cabo todas las medidas de mantenimiento que se indican a continuación cada 500 horas de funcionamiento o, en el caso de un uso menos intensivo, después de un año como máximo. Los defectos causados por un cuidado insuficiente pueden dar lugar a la limitación de los derechos de garantía.

CUIDADO DEL EQUIPO (PUEDE SER REALIZADO POR EL USUARIO)



ADVERTENCIA Antes de realizar cualquier trabajo de mantenimiento, desconecte la alimentación eléctrica y, si es posible, todas las conexiones del aparato.



¡ATENCIÓN! Un cuidado inadecuado del equipo puede provocar el deterioro o incluso la destrucción de la unidad.

1. Las superficies de la carcasa deben limpiarse con un paño limpio y húmedo. Asegúrese de que no pueda penetrar la humedad en la unidad.
2. Las entradas y salidas de aire deben limpiarse regularmente de polvo y suciedad. Si se utiliza aire comprimido, asegúrese de que se evitan daños en la unidad (por ejemplo, los ventiladores deben estar bloqueados para este caso).
3. Los cables y los contactos de los enchufes deben limpiarse regularmente y liberarse del polvo y la suciedad.
4. En general, para el mantenimiento no se pueden utilizar agentes de limpieza, desinfectantes o agentes con efecto abrasivo, ya que de lo contrario el acabado de la superficie puede verse perjudicado. Especialmente los disolventes, como el alcohol, pueden perjudicar el funcionamiento de las juntas de la carcasa.
5. Por lo general, las unidades deben almacenarse en un lugar seco y protegido del polvo y la suciedad.

MANTENIMIENTO Y REPARACIÓN (SÓLO POR PERSONAL CUALIFICADO)



¡PELIGRO! Hay componentes vivos en la unidad. Incluso después de la desconexión de la red, puede haber tensión residual en el aparato, por ejemplo, debido a condensadores cargados.



¡ATENCIÓN! No hay conjuntos en la unidad que requieran mantenimiento por parte del usuario.



¡ATENCIÓN! Los trabajos de mantenimiento y reparación sólo pueden ser realizados por personal especializado autorizado por el fabricante. En caso de duda, póngase en contacto con el fabricante.



¡ATENCIÓN! Los trabajos de mantenimiento realizados de forma incorrecta pueden afectar a la reclamación de la garantía.

DISPOSICIÓN



Embalaje:

1. Los envases pueden introducirse en el sistema de reciclaje a través de los canales habituales de eliminación.
2. Por favor, separe el embalaje de acuerdo con las leyes de eliminación y las normas de reciclaje de su país.



Dispositivo:

1. Este aparato está sujeto a la Directiva Europea sobre Residuos de Aparatos Eléctricos y Electrónicos en su versión modificada. Directiva RAEE Residuos de aparatos eléctricos y electrónicos. Los electrodomésticos y las pilas viejas no deben depositarse en la basura doméstica. El aparato viejo o las pilas deben eliminarse a través de una empresa de eliminación de residuos autorizada o de una instalación municipal de eliminación de residuos. Respete la normativa vigente en su país
2. Respete todas las leyes de eliminación aplicables en su país.
3. Como cliente particular, puede obtener información sobre las opciones de eliminación respetuosa con el medio ambiente del distribuidor al que compró el producto o de las autoridades regionales pertinentes.

DECLARACIONES DEL FABRICANTE

GARANTÍA DEL FABRICANTE Y LIMITACIÓN DE RESPONSABILIDAD

Adam Hall GmbH, Adam-Hall-Str. 1, D-61267 Neu Anspach / E-Mail Info@adamhall.com / +49 (0)6081 / 9419-0.

Nuestras condiciones de garantía actuales y la limitación de responsabilidad se pueden encontrar en:

https://cdn-shop.adamhall.com/media/pdf/MANUFACTURERS-DECLARATIONS_LD_SYSTEMS.pdf.

En caso de servicio, póngase en contacto con su distribuidor.

CONFORMIDAD CE

Adam Hall GmbH declara por la presente que este producto cumple con la siguiente directiva (si procede):

RTTE (1999/5/CE) o RED (2014/53/UE) a partir de junio de 2017

Directiva de baja tensión (2014/35/UE)

Directiva EMV (2014/30/UE)

RoHS (2011/65/UE)

Puede consultar la declaración de conformidad completa en www.adamhall.com.

Además, también puede solicitarla en info@adamhall.com.

DECLARACIÓN DE CONFORMIDAD DE LA EU

Las declaraciones de conformidad de los productos cubiertos por las Directivas LVD, EMC y RoHS pueden solicitarse en info@adamhall.com.

Las Declaraciones de Conformidad para productos sujetos a la Directiva RED pueden solicitarse en www.adamhall.com/compliance/.

Se reservan las erratas y los errores, así como los cambios técnicos o de otro tipo

DOKONAŁEŚ WŁAŚCIWEGO WYBORU!

Urządzenie to zostało zaprojektowane i wyprodukowane zgodnie z wysokimi standardami jakości, aby zapewnić wiele lat bezproblemowej pracy. To właśnie oznacza LD Systems ze swoją nazwą i wieloletnim doświadczeniem jako producent wysokiej jakości produktów audio. Prosimy o dokładne zapoznanie się z niniejszą instrukcją obsługi, aby szybko uzyskać jak najwięcej korzyści z nowego produktu LD Systems. Więcej informacji o **LD Systems** znajdziecie Państwo na naszej stronie internetowej WWW.LD-SYSTEMS.COM

INFORMACJE DOTYCZĄCE NINIEJSZEJ SKRÓCONEJ INSTRUKCJI OBSŁUGI

Niniejsza skrócona instrukcja obsługi nie zastępuje pełnej instrukcji obsługi. Przed uruchomieniem należy zawsze najpierw przeczytać kompletną i odnoszącą się do produktu instrukcję obsługi. Należy również przestrzegać dodatkowych wskazówek bezpieczeństwa zawartych w kompletnej instrukcji obsługi produktu! Kompletna instrukcja obsługi znajduje się pod adresem www.ld-systems.com/LDPRE2-downloads lub można ją otworzyć za pomocą kodu QR.



STOSOWANIE ZGODNIE Z PRZEPISAMI

Produkt jest urządzeniem przeznaczonym do profesjonalnej instalacji audio! Produkt został opracowany do profesjonalnego zastosowania w dziedzinie instalacji audio i nie jest przeznaczony do użytku w gospodarstwach domowych! Ponadto produkt ten przeznaczony jest do instalacji przez osoby wykwalifikowane, posiadające specjalistyczną wiedzę oraz do obsługi przez osoby poinstruowane! Użytkowanie produktu poza podanymi danymi technicznymi i warunkami eksploatacji jest uważane za niezgodne z przeznaczeniem! Odpowiedzialność za szkody osobowe i rzeczowe osób trzecich, powstałe w wyniku nieprawidłowego użytkowania, jest wykluczona! Produkt nie jest odpowiedni dla:

- Osoby (w tym dzieci) o ograniczonych możliwościach fizycznych, sensorycznych lub umysłowych lub braku doświadczenia i wiedzy.
- Dzieci (dzieci należy poinstruować, aby nie bawiły się urządzeniem).

OBJAŚNIENIA TERMINÓW I SYMBOLI

1. **NIEBEZPIECZEŃSTWO** : Słowo NIEBEZPIECZEŃSTWO, ewentualnie w połączeniu z symbolem, wskazuje natychmiast sytuacje lub warunki niebezpieczne dla życia i zdrowia.
2. **OSTRZEŻENIE** : Słowo OSTRZEŻENIE, ewentualnie w połączeniu z symbolem, wskazuje na sytuacje lub warunki potencjalnie niebezpieczne dla życia i zdrowia.
3. **PRZESTROGA** : Słowo PRZESTROGA, ewentualnie w połączeniu z symbolem, jest używane do wskazania sytuacji lub warunków, które mogą prowadzić do obrażeń.
4. **PRZESTROGA** : Słowo PRZESTROGA, ewentualnie w połączeniu z symbolem, jest używane do wskazania sytuacji lub warunków, które mogą prowadzić do szkód materialnych i/lub środowiskowych.



Ten symbol wskazuje na zagrożenia, które mogą spowodować porażenie prądem.



Ten symbol oznacza miejsca niebezpieczne lub sytuacje niebezpieczne.



Ten symbol wskazuje na zagrożenia związane z gorącymi powierzchniami.



Ten symbol wskazuje na niebezpieczeństwo związane z wysokim poziomem głośności.



Ten symbol oznacza dodatkowe informacje dotyczące działania produktu.



Ten symbol oznacza urządzenie, które nie zawiera żadnych części wymienianych przez użytkownika.



Ten symbol oznacza sprzęt elektryczny przeznaczony głównie do użytku wewnątrz pomieszczeń.

INSTRUKCJE BEZPIECZEŃSTWA



NIEBEZPIECZEŃSTWO:

1. Nie należy otwierać ani modyfikować urządzenia.
2. Jeśli urządzenie nie działa prawidłowo, jeśli do jego wnętrza dostały się płyny lub przedmioty, lub jeśli urządzenie zostało uszkodzone w inny sposób, należy je natychmiast wyłączyć i odłączyć od zasilania. Urządzenie może być naprawiane wyłącznie przez autoryzowanych specjalistów.
3. W przypadku urządzeń klasy ochrony 1 należy prawidłowo podłączyć przewód ochronny. Nigdy nie przerywać przewodu ochronnego. Urządzenia klasy ochrony 2 nie posiadają przewodu ochronnego.
4. Upewnij się, że przewody pod napięciem nie są zagięte lub w inny sposób uszkodzone mechanicznie.
5. Nigdy nie należy omijać bezpiecznika urządzenia.



OSTRZEŻENIE:

1. Nie wolno uruchamiać urządzenia, jeśli wykazuje ono widoczne uszkodzenia.
2. Urządzenie może być instalowane tylko w stanie bez napięcia.
3. Jeśli kabel sieciowy urządzenia jest uszkodzony, nie należy obsługiwać urządzenia.
4. Kable sieciowe podłączone na stałe mogą być wymieniane tylko przez wykwalifikowaną osobę.

**UWAGA:**

1. Nie należy eksploatować urządzenia, jeśli było ono narażone na duże wahania temperatury (np. po transporcie). Wilgoć i kondensacja mogą uszkodzić urządzenie. Nie włączać urządzenia, dopóki nie osiągnie ono temperatury otoczenia.
2. Upewnij się, że napięcie i częstotliwość sieci zasilającej odpowiadają wartościom podanym na urządzeniu. Jeśli urządzenie posiada przełącznik wyboru napięcia, nie należy podłączać urządzenia, dopóki nie zostanie on prawidłowo ustawiony. Stosować tylko odpowiednie kable sieciowe.
3. Aby odłączyć urządzenie od sieci na wszystkich biegunach, nie wystarczy nacisnąć włącznik/wyłącznik na urządzeniu.
4. Upewnij się, że użyty bezpiecznik odpowiada typowi wydrukowanemu na urządzeniu.
5. Upewnij się, że podjęto odpowiednie środki przeciwko przepięciu (np. uderzeniu pioruna).
6. W przypadku urządzeń z przyłączem Power Out należy przestrzegać podanego maksymalnego prądu wyjściowego. Upewnij się, że całkowity pobór prądu wszystkich podłączonych urządzeń nie przekracza podanej wartości.
7. Wtykowe kable sieciowe wymieniać tylko na oryginalne.

**NIEBEZPIECZEŃSTWO:**

1. Niebezpieczeństwo uduszenia! Plastikowe torby i małe części muszą być przechowywane poza zasięgiem osób (w tym dzieci) o ograniczonych możliwościach fizycznych, sensorycznych lub umysłowych.
2. Niebezpieczeństwo związane z upadkiem! Upewnij się, że urządzenie jest bezpiecznie zainstalowane i nie może spaść. Stosować tylko odpowiednie stojaki lub mocowania (szczególnie w przypadku instalacji stałych). Upewnij się, że akcesoria są prawidłowo zainstalowane i zabezpieczone. Upewnij się, że przestrzegane są obowiązujące przepisy bezpieczeństwa.

**OSTRZEŻENIE:**

1. Urządzenie należy używać tylko w sposób przewidziany.
2. Urządzenie należy eksploatować wyłącznie z akcesoriami zalecanymi i przeznaczonymi przez producenta.
3. Podczas instalacji należy przestrzegać przepisów bezpieczeństwa obowiązujących w danym kraju.
4. Po podłączeniu urządzenia należy sprawdzić wszystkie trasy przewodów, aby uniknąć uszkodzeń lub wypadków, np. z powodu niebezpieczeństwa potknięcia.
5. Należy przestrzegać podanego minimalnego odstępu od normalnie palnych materiałów! Jeśli nie jest to wyraźnie określone, minimalna odległość wynosi 0,3 m.

**UWAGA:**

1. W przypadku ruchomych elementów, takich jak uchwyty montażowe lub inne ruchome elementy, istnieje możliwość zakleszczenia.
2. W przypadku urządzeń z elementami napędzonymi silnikiem istnieje niebezpieczeństwo obrażeń spowodowanych ruchem urządzenia. Nagłe ruchy urządzeń mogą powodować reakcje zaskoczenia.

**UWAGA:**

1. Nie należy instalować ani obsługiwać urządzenia w pobliżu grzejników, rejestrów ciepła, pieców lub innych źródeł ciepła. Należy zawsze upewnić się, że urządzenie jest zainstalowane w taki sposób, że jest wystarczająco chłodzone i nie może się przegrzać.
2. W pobliżu urządzenia nie należy umieszczać źródeł zapłonu, takich jak płonące świece.
3. Nie wolno zakrywać otworów wentylacyjnych i blokować wentylatorów.
4. Do transportu należy używać oryginalnego opakowania lub opakowania dostarczonego przez producenta.
5. Unikać wstrząsów lub uderzeń w urządzenie.
6. Należy przestrzegać stopnia ochrony IP, jak również warunków otoczenia, takich jak temperatura i wilgotność, zgodnie ze specyfikacją.
7. Urządzenia mogą być stale rozwijane. W przypadku rozbieżności pomiędzy instrukcją obsługi a oznakowaniem urządzenia w odniesieniu do warunków pracy, wydajności lub innych cech urządzenia, pierwszeństwo mają zawsze informacje umieszczone na urządzeniu.
8. Urządzenie nie nadaje się do pracy w klimacie tropikalnym oraz do pracy powyżej 2000 m n.p.m.

**UWAGA:**

Podłączenie kabli sygnałowych może powodować znaczne zakłócenia. Upewnij się, że urządzenia podłączone do wyjścia są wyciszone po podłączeniu. W przeciwnym razie poziom hałasu może spowodować uszkodzenia.

**UWAGA PRODUKTY AUDIO O WYSOKIEJ GŁOŚNOŚCI!**

To urządzenie jest przeznaczone do użytku profesjonalnego.

Komersyjna eksploatacja tego urządzenia podlega obowiązującym krajowym przepisom i wytycznym dotyczącym zapobiegania wypadkom.

Uszkodzenie słuchu z powodu dużej głośności i ciągłego narażenia: Używanie tego produktu może powodować wysoki poziom ciśnienia akustycznego (SPL), który może spowodować uszkodzenie słuchu. Unikać ekspozycji na duże ilości.

**UWAGI DOTYCZĄCE SPRZĘTU DO INSTALACJI WEWNĘTRZNYCH**

1. Urządzenia do zastosowań instalacyjnych są przeznaczone do pracy ciągłej.
2. Jednostki do zastosowań w instalacjach wewnętrznych nie są odporne na warunki atmosferyczne.
3. Powierzchnie i części z tworzyw sztucznych urządzeń instalacyjnych mogą się również starzeć, np. na skutek promieniowania UV i wahań temperatury. Z reguły nie prowadzi to do ograniczeń funkcjonalnych.
4. W przypadku urządzeń zamontowanych na stałe należy spodziewać się osadzania zanieczyszczeń, np. kurzu. Należy przestrzegać wskázówek dotyczących pielęgnacji.
5. O ile na urządzeniu nie podano wyraźnie inaczej, urządzenia przeznaczone są do montażu na wysokości poniżej 5 m.

PIELĘGNACJA, KONSERWACJA I NAPRAWA

Aby zapewnić prawidłowe funkcjonowanie urządzenia w długim okresie czasu, należy je regularnie konserwować i serwisować w miarę potrzeb. Potrzeba pielęgnacji i konserwacji zależy od intensywności użytkowania i środowiska.

Generalnie zalecamy przeprowadzenie kontroli wzrokowej przed każdym uruchomieniem. Ponadto zalecamy wykonywanie wszystkich wymienionych poniżej czynności konserwacyjnych co 500 godzin pracy lub w przypadku mniej intensywnego użytkowania najpóźniej po roku. Usterki spowodowane niedostateczną pielęgnacją mogą spowodować ograniczenie roszczeń gwarancyjnych.

CARE (MOŻE BYĆ PRZEPROWADZONA PRZEZ UŻYTKOWNIKA)



OSTRZEŻENIE! Przed przystąpieniem do prac konserwacyjnych należy odłączyć zasilanie elektryczne i w miarę możliwości wszystkie połączenia z urządzeniem.



UWAGA! Niewłaściwa pielęgnacja może doprowadzić do pogorszenia stanu technicznego lub nawet zniszczenia urządzenia.

1. Powierzchnie obudowy należy czyścić czystą, wilgotną szmatką. Upewnij się, że do urządzenia nie przedostaje się wilgoć.
2. Wloty i wyloty powietrza muszą być regularnie czyszczone z kurzu i zanieczyszczeń. W przypadku zastosowania sprężonego powietrza należy zwrócić uwagę, aby nie dopuścić do uszkodzenia urządzenia (np. wentylatory muszą być w tym przypadku zablokowane).
3. Kable i styki wtyczek muszą być regularnie czyszczone i uwalniane od kurzu i brudu.
4. Ogólnie rzecz biorąc, do konserwacji nie można stosować środków czyszczących, dezynfekujących ani środków o działaniu ściernym, ponieważ w przeciwnym razie może dojść do pogorszenia jakości wykończenia powierzchni. Szczególnie rozpuszczalniki, takie jak alkohol, mogą pogorszyć działanie uszczelek obudowy.
5. Urządzenia powinny być zasadniczo przechowywane w suchym miejscu i chronione przed kurzem i brudem.

KONSERWACJA I NAPRAWA (TYLKO PRZEZ WYKWALIFIKOWANY PERSONEL)



NIEBEZPIECZEŃSTWO! W urządzeniu znajdują się elementy pod napięciem. Nawet po odłączeniu od sieci w urządzeniu może występować napięcie szczytkowe, np. z powodu naładowanych kondensatorów.



UWAGA! W urządzeniu nie ma zespołów, które wymagają konserwacji przez użytkownika.



UWAGA! Prace konserwacyjne i naprawcze mogą być wykonywane wyłącznie przez wyspecjalizowany personel upoważniony przez producenta. W razie wątpliwości należy skontaktować się z producentem.



UWAGA! Nieprawidłowo wykonane prace konserwacyjne mogą wpłynąć na roszczenie gwarancyjne.

DYSPOZYCJA



Pakowanie:

1. Opakowania mogą być wprowadzane do systemu recyklingu poprzez zwykłe kanały utylizacji.
2. Prosimy o oddzielenie opakowania zgodnie z przepisami dotyczącymi utylizacji i recyklingu obowiązującymi w danym kraju.



Urządzenie:

1. Niniejsze urządzenie podlega europejskiej dyrektywie w sprawie zużytego sprzętu elektrycznego i elektronicznego z późniejszymi zmianami. Dyrektywa WEEE Zużyty sprzęt elektryczny i elektroniczny. Stare urządzenia i baterie nie należą do odpadów domowych. Stare urządzenie lub baterie należy oddać do utylizacji za pośrednictwem autoryzowanego przedsiębiorstwa utylizacji odpadów lub zakładu utylizacji odpadów komunalnych. Należy przestrzegać przepisów obowiązujących w danym kraju!
2. Przestrzegać wszystkich przepisów dotyczących utylizacji obowiązujących w danym kraju.
3. Jako klient prywatny możesz uzyskać informacje na temat możliwości utylizacji przyjaznej dla środowiska od sprzedawcy, u którego zakupiono produkt lub od odpowiednich władz regionalnych.

OŚWIADCZENIA PRODUCENTA

GWARANCJA PRODUCENTA I OGRANICZENIE ODPOWIEDZIALNOŚCI

Adam Hall GmbH, Adam-Hall-Str. 1, D-61267 Neu Anspach / E-Mail Info@adamhall.com / +49 (0)6081 / 9419-0.

Nasze aktualne warunki gwarancji i ograniczenia odpowiedzialności znajdują się na stronie: https://cdn-shop.adamhall.com/media/pdf/MANUFACTURERS-DECLARATIONS_LD_SYSTEMS.pdf. W przypadku serwisu prosimy o kontakt z partnerem handlowym.

ZGODNOŚĆ CE

Adam Hall GmbH oświadcza niniejszym, że ten produkt jest zgodny z następującą dyrektywą (jeśli dotyczy):

R&TTE (1999/5/EC) lub RED (2014/53/EU) od czerwca 2017 r.

Dyrektywa niskonapięciowa (2014/35/UE)

Dyrektywa EMV (2014/30/UE)

RoHS (2011/65/EU)

Pełna deklaracja zgodności znajduje się na stronie www.adamhall.com.

Ponadto można ją również zamówić na stronie info@adamhall.com.

DEKLARACJA ZGODNOŚCI EU

Deklaracje zgodności dla produktów objętych dyrektywami LVD, EMC i RoHS można zamówić na stronie info@adamhall.com.

Deklaracje zgodności dla produktów podlegających dyrektywie RED, można uzyskać na stronie www.adamhall.com/compliance/.

Pomyłki i błędy, jak również zmiany techniczne lub inne są zastrzeżone!

AVETE FATTO LA SCELTA GIUSTA!

Questa unità è stata progettata e prodotta secondo standard di alta qualità per garantire un funzionamento senza problemi per molti anni. Questo è ciò che LD Systems rappresenta con il suo nome e la sua pluriennale esperienza come produttore di prodotti audio di alta qualità. Leggere attentamente le presenti istruzioni per l'uso in modo da poter sfruttare al meglio il nuovo prodotto LD Systems.

Ulteriori informazioni su **LD Systems** sono disponibili sul nostro sito web WWW.LD-SYSTEMS.COM

INFORMAZIONI SU QUESTO MANUALE BREVE

Queste brevi istruzioni non sostituiscono il manuale d'uso completo. Prima della messa in funzione, leggere sempre le istruzioni per l'uso complete e relative al prodotto. Osservare anche le istruzioni di sicurezza aggiuntive contenute nelle istruzioni d'uso complete del prodotto! Il manuale d'uso completo si trova all'indirizzo www.ld-systems.com/LDPRE2-downloads oppure è possibile aprirlo utilizzando il codice QR.



UTILIZZO IN CONFORMITÀ ALLE NORMATIVE

Il prodotto è un dispositivo per l'installazione audio professionale!

Il prodotto è stato sviluppato per l'uso professionale nel campo dell'installazione audio e non è destinato all'uso domestico!

Inoltre, questo prodotto è destinato all'installazione da parte di persone qualificate con conoscenze specifiche e all'uso da parte di persone istruite!

L'uso del prodotto al di fuori dei dati tecnici e delle condizioni operative specificate è considerato un uso improprio!

È esclusa la responsabilità per danni a persone e cose dovuti a un uso improprio!

Il prodotto non è adatto a:

- Persone (compresi i bambini) con ridotte capacità fisiche, sensoriali o mentali o con mancanza di esperienza e conoscenza.
- Bambini (i bambini devono essere istruiti a non giocare con l'apparecchio)

SPIEGAZIONI DI TERMINI E SIMBOLI

1. **PERICOLO** : la parola PERICOLO, eventualmente in combinazione con un simbolo, indica immediatamente situazioni o condizioni pericolose per la vita e l'incolumità delle persone.
2. **AVVERTENZA** : la parola AVVERTENZA, eventualmente abbinata a un simbolo, indica situazioni o condizioni potenzialmente pericolose per la vita e l'incolumità delle persone.
3. **ATTENZIONE** : la parola ATTENZIONE, eventualmente abbinata a un simbolo, viene utilizzata per indicare situazioni o condizioni che possono provocare lesioni.
4. **ATTENZIONE** : la parola ATTENZIONE, eventualmente abbinata a un simbolo, viene utilizzata per indicare situazioni o condizioni che possono causare danni a cose e/o all'ambiente.



Questo simbolo indica i pericoli che possono causare scosse elettriche.



Questo simbolo indica punti di pericolo o situazioni pericolose.



Questo simbolo indica i pericoli dovuti alle superfici calde.



Questo simbolo indica i pericoli dovuti a livelli di volume elevati.



Questo simbolo indica informazioni supplementari sul funzionamento del prodotto.



Questo simbolo indica un'unità che non contiene parti sostituibili dall'utente.



Questo simbolo indica un'apparecchiatura elettrica progettata principalmente per l'uso in interni.

ISTRUZIONI DI SICUREZZA



PERICOLO:

1. Non aprire o modificare l'unità.
2. Se l'apparecchio non funziona più correttamente, se liquidi o oggetti sono penetrati all'interno dell'apparecchio o se l'apparecchio è stato danneggiato in qualsiasi altro modo, spegnerlo immediatamente e scollegarlo dall'alimentazione. Questo apparecchio può essere riparato solo da personale specializzato autorizzato.
3. Per le unità di classe di protezione 1, il conduttore di terra deve essere collegato correttamente. Non interrompere mai il conduttore di protezione. I dispositivi della classe di protezione 2 non dispongono di un conduttore di terra di protezione.
4. Assicurarsi che i cavi sotto tensione non siano attorcigliati o danneggiati meccanicamente in altro modo.
5. Non escludere mai il fusibile dell'apparecchio.



ATTENZIONE:

1. L'apparecchio non deve essere messo in funzione se presenta danni evidenti.
2. L'unità può essere installata solo in stato di assenza di tensione.
3. Se il cavo di alimentazione dell'apparecchio è danneggiato, non mettere in funzione l'apparecchio.
4. I cavi di rete collegati in modo permanente possono essere sostituiti solo da personale qualificato.

**ATTENZIONE:**

1. Non mettere in funzione l'unità se è stata esposta a forti sbalzi di temperatura (ad esempio, dopo il trasporto). L'umidità e la condensa potrebbero danneggiare l'unità. Non accendere l'unità finché non ha raggiunto la temperatura ambiente.
2. Assicurarsi che la tensione e la frequenza della rete di alimentazione corrispondano ai valori indicati sull'apparecchio. Se l'unità è dotata di un selettore di tensione, non collegare l'unità finché non è impostata correttamente. Utilizzare esclusivamente cavi di rete idonei.
3. Per scollegare l'apparecchio dalla rete elettrica in tutti i poli, non è sufficiente premere l'interruttore di accensione/spengimento dell'apparecchio.
4. Assicurarsi che il fusibile utilizzato corrisponda al tipo stampato sull'unità.
5. Assicurarsi che siano state adottate misure adeguate contro le sovratensioni (ad es. fulmini).
6. Rispettare la corrente di uscita massima specificata per le unità con collegamento Power Out. Assicurarsi che l'assorbimento totale di corrente di tutte le unità collegate non superi il valore specificato.
7. Sostituire i cavi di rete collegabili solo con quelli originali.

**PERICOLO:**

1. Pericolo di soffocamento! I sacchetti di plastica e le piccole parti devono essere tenuti fuori dalla portata di persone (compresi i bambini) con ridotte capacità fisiche, sensoriali o mentali.
2. Pericolo di caduta! Assicurarsi che l'unità sia installata in modo sicuro e non possa cadere. Usare solo supporti o supporti adeguati (soprattutto per le installazioni permanenti). Assicurarsi che gli accessori siano installati e fissati correttamente. Assicurarsi che vengano rispettate le norme di sicurezza applicabili.

**ATTENZIONE:**

1. Utilizzare l'apparecchio solo nel modo previsto.
2. Utilizzare l'apparecchio solo con gli accessori raccomandati e previsti dal produttore.
3. Durante l'installazione, rispettare le norme di sicurezza vigenti nel proprio Paese.
4. Dopo aver collegato l'unità, controllare tutti i percorsi dei cavi per evitare danni o incidenti, ad esempio per il rischio di inciampare.
5. Rispettare la distanza minima specificata dai materiali normalmente infiammabili! Se non è esplicitamente indicato, la distanza minima è di 0,3 m.

**ATTENZIONE:**

1. Nel caso di componenti mobili, come le staffe di montaggio o altri componenti mobili, esiste la possibilità di incepparsi.
2. Nel caso di unità con componenti a motore, esiste il rischio di lesioni dovute al movimento dell'unità. I movimenti improvvisi dell'apparecchiatura possono provocare reazioni di spavento.



ATTENZIONE:

1. Non installare o far funzionare l'apparecchio in prossimità di radiatori, bocchette di calore, stufe o altre fonti di calore. Assicurarsi sempre che l'unità sia installata in modo da essere sufficientemente raffreddata e da non surriscaldarsi.
2. Non collocare fonti di accensione come candele accese vicino all'apparecchio.
3. Le aperture di ventilazione non devono essere coperte e le ventole non devono essere bloccate.
4. Per il trasporto, utilizzare l'imballaggio originale o quello fornito dal produttore.
5. Evitare urti o colpi all'unità.
6. Rispettare la classe di protezione IP e le condizioni ambientali, quali temperatura e umidità, secondo le specifiche.
7. I dispositivi possono essere costantemente sviluppati. In caso di discrepanze tra le istruzioni per l'uso e l'etichetta dell'apparecchio per quanto riguarda le condizioni di funzionamento, le prestazioni o altre caratteristiche dell'apparecchio, le informazioni sull'apparecchio hanno sempre la precedenza.
8. L'unità non è adatta ai climi tropicali e al funzionamento al di sopra dei 2000 m di altitudine.



ATTENZIONE:

Il collegamento dei cavi di segnale può causare un notevole rumore. Assicurarsi che i dispositivi collegati all'uscita siano silenziosi quando sono collegati. In caso contrario, i livelli di rumore possono causare danni.



ATTENZIONE AI PRODOTTI AUDIO AD ALTO VOLUME!

Questa unità è destinata all'uso professionale.

Il funzionamento commerciale di questo apparecchio è soggetto alle normative e alle linee guida nazionali applicabili per la prevenzione degli incidenti.

Danni all'udito dovuti al volume elevato e all'esposizione continua: l'uso di questo prodotto può generare livelli di pressione sonora (SPL) elevati che possono causare danni all'udito. Evitare l'esposizione a volumi elevati.



NOTE PER LE APPARECCHIATURE DI INSTALLAZIONE ALL'INTERNO

1. Le unità per applicazioni di installazione sono progettate per il funzionamento continuo.
2. Le unità per installazione interna non sono resistenti alle intemperie.
3. Anche le superfici e le parti in plastica delle apparecchiature di installazione possono invecchiare, ad esempio a causa dei raggi UV e delle variazioni di temperatura. In genere, ciò non comporta limitazioni funzionali.
4. In caso di installazione permanente, è prevedibile il deposito di impurità, ad esempio polvere. Osservare le istruzioni per la manutenzione.
5. A meno che non sia esplicitamente indicato diversamente sull'unità, le unità sono destinate ad altezze di installazione inferiori a 5 m.

CURA, MANUTENZIONE E RIPARAZIONE

Per garantire il corretto funzionamento dell'unità a lungo termine, è necessario sottoporla a manutenzione regolare e a interventi di assistenza come richiesto. La necessità di cura e manutenzione dipende dall'intensità d'uso e dall'ambiente.

In genere si consiglia un'ispezione visiva prima di ogni messa in funzione. Inoltre, si consiglia di eseguire tutte le misure di manutenzione elencate di seguito ogni 500 ore di funzionamento o, in caso di uso meno intensivo, al massimo dopo un anno. I difetti causati da una cura insufficiente possono comportare la limitazione dei diritti di garanzia.

CURA (PUÒ ESSERE EFFETTUATA DALL'UTENTE)



ATTENZIONE! Prima di effettuare qualsiasi intervento di manutenzione, scollegare l'alimentazione e, se possibile, tutti i collegamenti all'unità.



NOTA! Una cura impropria può causare il danneggiamento o addirittura la distruzione dell'unità.

1. Le superfici dell'alloggiamento devono essere pulite con un panno pulito e umido. Assicurarsi che l'umidità non penetri nell'unità.
2. Le entrate e le uscite dell'aria devono essere pulite regolarmente da polvere e sporcizia. Se si utilizza l'aria compressa, assicurarsi di evitare danni all'unità (ad esempio, in questo caso le ventole devono essere bloccate).
3. I cavi e i contatti della spina devono essere puliti regolarmente e liberati da polvere e sporcizia.
4. In generale, per la manutenzione non si possono usare detersivi, disinfettanti o agenti con effetto abrasivo, altrimenti si rischia di compromettere la finitura della superficie. Soprattutto i solventi, come l'alcol, possono compromettere il funzionamento delle guarnizioni dell'alloggiamento.
5. Le unità devono essere conservate in un luogo asciutto e protetto da polvere e sporcizia.

MANUTENZIONE E RIPARAZIONE (SOLO DA PARTE DI PERSONALE QUALIFICATO)



PERICOLO! Nell'unità sono presenti componenti sotto tensione. Anche dopo la disconnessione dalla rete, nell'apparecchio può essere presente una tensione residua, ad esempio a causa di condensatori carichi.



NOTA! Non ci sono gruppi nell'unità che richiedono manutenzione da parte dell'utente.



NOTA! Gli interventi di manutenzione e riparazione devono essere eseguiti esclusivamente da personale specializzato autorizzato dal produttore. In caso di dubbio, contattare il produttore.



NOTA! Gli interventi di manutenzione eseguiti in modo improprio possono compromettere il diritto alla garanzia.

SMALTIMENTO



Imballaggio:

1. Gli imballaggi possono essere immessi nel sistema di riciclaggio attraverso i consueti canali di smaltimento.
2. Separare l'imballaggio in base alle leggi sullo smaltimento e alle norme sul riciclaggio vigenti nel proprio Paese.



Dispositivo:

1. Questo apparecchio è soggetto alla Direttiva europea sui rifiuti di apparecchiature elettriche ed elettroniche e successive modifiche. Direttiva WEEE Rifiuti di apparecchiature elettriche ed elettroniche. I vecchi elettrodomestici e le batterie non vanno gettati nei rifiuti domestici. Il vecchio apparecchio o le batterie devono essere smaltiti tramite un'azienda autorizzata allo smaltimento dei rifiuti o un impianto di smaltimento comunale. Osservare le norme vigenti nel proprio paese!
2. Osservare tutte le leggi sullo smaltimento vigenti nel proprio Paese.
3. In qualità di clienti privati, è possibile ottenere informazioni sulle opzioni di smaltimento ecologico dal rivenditore presso il quale è stato acquistato il prodotto o dalle autorità regionali competenti.

DICHIARAZIONI DEL PRODUTTORE

GARANZIA DEL PRODUTTORE E LIMITAZIONE DI RESPONSABILITÀ

Adam Hall GmbH, Adam-Hall-Str. 1, D-61267 Neu Anspach / E-Mail Info@adamhall.com / +49 (0)6081 / 9419-0.

Le nostre attuali condizioni di garanzia e la limitazione di responsabilità sono disponibili all'indirizzo:

https://cdn-shop.adamhall.com/media/pdf/MANUFACTURERS-DECLARATIONS_LD_SYSTEMS.pdf.

In caso di assistenza, contattare il proprio partner commerciale.

CONFORMITÀ CE

Adam Hall GmbH dichiara che questo prodotto è conforme alla seguente direttiva (se applicabile):

R&TTE (1999/5/CE) o RED (2014/53/UE) a partire da giugno 2017

Direttiva Bassa Tensione (2014/35/UE)

Direttiva EMV (2014/30/UE)

RoHS (2011/65/UE)

La dichiarazione di conformità completa è disponibile sul sito www.adamhall.com.

Inoltre, è possibile richiederla all'indirizzo info@adamhall.com.

DICHIARAZIONE DI CONFORMITÀ EU

Le dichiarazioni di conformità per i prodotti coperti dalle direttive LVD, EMC e RoHS possono essere richieste a info@adamhall.com.

Le dichiarazioni di conformità per i prodotti soggetti alla Direttiva RED, possono essere richieste all'indirizzo www.adamhall.com/compliance/.

I refusi e gli errori, così come le modifiche tecniche o di altro tipo sono riservati!

