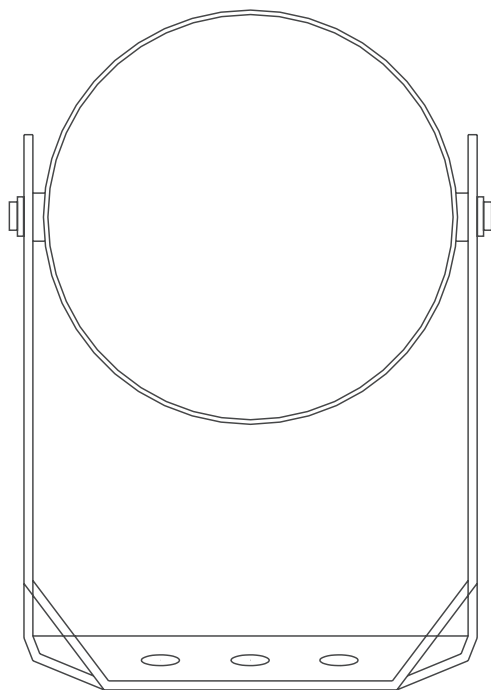


USER'S MANUAL
BEDIENUNGSANLEITUNG
MANUEL D'UTILISATION
MANUAL DE USUARIO
INSTRUKCJA OBSŁUGI
MANUALE D'USO

LDsystems 



CE P10

10 W PROJECTOR LOUDSPEAKER

LDCEP10

CONTENTS / INHALTSVERZEICHNIS / CONTENU / CONTENIDO / TREŚĆ / CONTENUTO

ENGLISH

ABOUT THIS MANUAL	3
INTENDED USE	3
EXPLANATIONS OF TERMS AND SYMBOLS	3
SAFETY INSTRUCTIONS	4
INSTRUCTIONS FOR OUTDOOR INSTALLATION EQUIPMENT	5
PACKAGING CONTENT	5
INTRODUCTION	5
INSTALLATION	6
CARE, MAINTENANCE AND REPAIR	7
DIMENSIONS	7
TECHNICAL DATA	8
EXPLANATION OF IP PROTECTION CLASS	8
DISPOSAL	9
MANUFACTURER'S DECLARATIONS	9

DEUTSCH

INFORMATIONEN ZU DIESER BEDIENUNGSANLEITUNG	10
BESTIMMUNGSGEMÄSSER GEBRAUCH	10
BEGRIFFS- UND SYMBOLERKLÄRUNGEN	10
SICHERHEITSHINWEISE	11
HINWEISE FÜR OUTDOOR-INSTALLATIONSGERÄTE	12
LIEFERUMFANG	12
EINLEITUNG	13
MONTAGE	13
PFLEGE, WARTUNG UND REPARATUR	14
ABMESSUNGEN	14
TECHNISCHE DATEN	15
ERLÄUTERUNGEN ZUR IP-SCHUTZART	15
ENTSORGUNG	16
HERSTELLERERKLÄRUNGEN	16

FRANÇAIS

INFORMATIONS SUR CE MODE D'EMPLOI	17
UTILISATION RÉGLEMENTÉE	17
EXPLICATIONS DES TERMES ET DES SYMBOLES	17
CONSIGNES DE SÉCURITÉ	18
CONSIGNES POUR LES APPAREILS POUR	
INSTALLATION EN EXTÉRIEUR	19
CONTENU DU CARTON	19
INTRODUCTION	20
MONTAGE	20
ENTRETIEN, MAINTENANCE ET RÉPARATION	21
DIMENSIONS	21
CARACTÉRISTIQUES TECHNIQUES	22
EXPLICATIONS RELATIVES À L'INDICE DE PROTECTION IP	22
MISE EN DÉCHETTERIE	23
DÉCLARATIONS DU FABRICANT	23

ESPAÑOL

INFORMACIÓN SOBRE ESTAS INSTRUCCIONES DE USO	24
USO CONFORME A LA NORMATIVA	24
EXPLICACIONES DE TÉRMINOS Y SÍMBOLOS	24
INSTRUCCIONES DE SEGURIDAD	25
INSTRUCCIONES PARA LOS EQUIPOS DE INSTALACIÓN	
FIJA EN EXTERIORES	26
ELEMENTOS SUMINISTRADOS	26
INTRODUCCIÓN	26
MONTAJE	27
CUIDADO, MANTENIMIENTO Y REPARACIÓN	28
DIMENSIONES	28
ESPECIFICACIONES TÉCNICAS	29
EXPLICACIÓN SOBRE LA CLASE DE PROTECCIÓN IP	29
DISPOSICIÓN	30
DECLARACIONES DEL FABRICANTE	30

POLSKI

INFORMACJE DOTYCZĄCE NINIEJSZEJ INSTRUKCJI OBSŁUGI	31
STOSOWANIE ZGODNIE Z PRZEPISAMI	31
DEFINICJE I OBJAŚNIENIA SYMBOLI	31
INSTRUKCJE BEZPIECZEŃSTWA	32
INSTRUKCJE DOTYCZĄCE SPRZĘTU DO INSTALACJI	
NA ZEWNĄTRZ	33
ZAWARTOŚĆ OPAKOWANIA	33
WSTĘP	33
INSTALACJA	34
PIELĘGNACJA, KONSERWACJA I NAPRAWA	35
WYMIARY	35
DANE TECHNICZNE	36
WYJAŚNIENIE KLASY OCHRONY IP	36
DYSPOZYCJA	37
OŚWIADCZENIA PRODUCENTA	37

ITALIANO

INFORMAZIONI SU QUESTE ISTRUZIONI PER L'USO	38
UTILIZZO IN CONFORMITÀ ALLE NORMATIVE	38
SPIEGAZIONE DI TERMINI E SIMBOLI	38
INDICAZIONI SULLA SICUREZZA	39
NOTE SUI DISPOSITIVI DA INSTALLARE IN INTERNI	40
DOTAZIONE	40
INTRODUZIONE	40
MONTAGGIO	41
CURA, MANUTENZIONE E RIPARAZIONE	42
DIMENSIONI	42
DATI TECNICI	43
SPIEGAZIONI SULLA CLASSE DI PROTEZIONE IP	43
CURA, MANUTENZIONE E RIPARAZIONE	44
SMALTIMENTO	45
DICHIARAZIONI DEL PRODUTTORE	45

YOU MADE THE RIGHT CHOICE!

This device was developed and manufactured under high quality requirements to ensure many years of trouble-free operation. This is what LD Systems stands for with its name and many years of experience as a manufacturer of high-quality audio products. Please read these operating instructions carefully so that you can quickly and optimally use your new LD Systems product. You can find more information about **LD Systems** on our website WWW.LD-SYSTEMS.COM

ABOUT THIS MANUAL

- Read the safety instructions and the entire manual carefully before commissioning.
- Observe the warnings on the unit and in the operating instructions.
- Always keep the operating instructions within reach.
- If you sell or pass on the appliance, be sure to hand over these operating instructions as well, as they are an essential part of the product.

INTENDED USE

The product is a device for professional audio installation! The product has been developed for professional use in the field of audio installation and is not intended for use in households! Furthermore, this product is intended for installation by qualified persons with specialist knowledge and for operation by instructed persons! The use of the product outside the specified technical data and operating conditions is considered as not intended! Liability for damages and third party damages to persons and property due to non-intended use is excluded!

The product is not suitable for:

- Persons (including children) with limited physical, sensory or mental capabilities or lack of experience and knowledge.
- Children (children must be instructed not to play with the device).

EXPLANATIONS OF TERMS AND SYMBOLS

1. **DANGER:** The word DANGER, possibly in combination with a symbol, indicates immediately dangerous situations or conditions risking life and limb.
2. **WARNING:** The word WARNING, possibly in combination with a symbol, indicates potentially dangerous situations or conditions for life and limb.
3. **CAUTION:** The word CAUTION, possibly in combination with a symbol, is used to indicate situations or conditions that may lead to injury.
4. **ATTENTION:** The word ATTENTION, possibly in combination with a symbol, refers to situations or states that can lead to damage to property and/or the environment.



This symbol identifies hazards that can cause electric shock.



This symbol identifies hazardous areas or hazardous situations.



This symbol indicates hazards caused by hot surfaces.



This symbol indicates dangers due to high volume levels.



This symbol indicates additional information on the operation of the product.



This symbol denotes a device that does not contain any user-serviceable parts.

SAFETY INSTRUCTIONS



DANGER:

1. Do not open the device and do not make any modifications.
2. If your device no longer functions properly, if liquids or objects get inside it or if it has been damaged in any other way, switch it off immediately and disconnect it from the mains. The device may be repaired only by authorised repair technicians.
3. For devices of protection class 1 the protective conductor must be connected correctly. Never disconnect the protective conductor. Devices of protection class 2 do not have a protective conductor.
4. Ensure that live cables are not kinked or otherwise mechanically damaged.
5. Never bypass the device fuse.



WARNING:

1. The device may not be operated if it shows obvious signs of damage.
2. The device may only be installed in a voltage-free state.
3. If the device's power cable is damaged the device should not be used.
4. Permanently connected power cables may only be replaced by a qualified person.



ATTENTION:

1. Do not operate the device if it has been exposed to large temperature fluctuations (for example, after transport). Moisture and condensation can damage the device. Switch on the device only when it has reached ambient temperature.
2. Make sure that the voltage and frequency of the mains supply correspond to the values indicated on the device. If the device has a voltage selector switch, do not turn the device on until it has been set correctly. Use only suitable power cables.
3. To disconnect the device from the mains at all poles, it is not sufficient to press the on/off switch on the device.
4. Make sure that the fuse used corresponds to the type specified on the device.
5. Make sure that appropriate measures have been taken against power surges (e.g. lightning strike).
6. Observe the specified maximum output current on devices with Power Out connection. Ensure that the total current consumption of all connected devices does not exceed the specified value.
7. Replace pluggable mains cables only with original cables.



DANGER:

1. Danger of suffocation! Plastic bags and small parts must be kept out of reach of persons (including children) with reduced physical, sensory or mental capabilities.
2. Danger caused by falling device! Make sure that the device is securely installed and cannot fall down. Only use suitable stands or mounts (particularly for fixed installations). Ensure that accessories are properly installed and secured. Ensure that all applicable safety regulations are observed.



WARNING:

1. Use the device in the prescribed manner only.
2. Operate the device only with the accessories recommended and intended by the manufacturer.
3. During installation, observe the safety regulations applicable in your country.
4. After connecting the device, check all cable routes to avoid damage or accidents, e.g. due to tripping hazards.
5. Always observe the specified minimum distance to normally flammable materials! Unless explicitly stated, the minimum distance is 0.3 m.



CAUTION:

1. Regarding moving components such as mounting brackets or other moving components, please be cautious of the possibility of jamming.

**ATTENTION:**

1. Do not install or operate the device near any radiators, storage heaters, stoves or other heat sources. Ensure that the device is always installed in such a way that it is sufficiently cooled and cannot overheat.
2. Do not place ignition sources such as lighted candles near the device.
3. Ventilation openings must not be covered and fans must not be blocked.
4. Use the original packaging or packaging provided by the manufacturer for transport.
5. Avoid shock or impact to the device.
6. Observe the IP protection class as well as the ambient conditions such as temperature and humidity according to the specification.
7. Devices can be continuously further developed. In the event of any discrepancies between the operating instructions and the device labelling with regard to operating conditions, performance or other device characteristics, the information on the device always takes precedence.
8. The device is not suitable for tropical climates and for operation higher than 2000 m above sea level.

**CAUTION:**

Connecting signal cables can cause a lot of interference noise. Make sure that devices connected to the output are muted when plugged in. Aside from which, interference noise levels may cause damage.

**CAUTION: HIGH VOLUME AUDIO PRODUCTS!**

This device is designed for professional use. The commercial operation of this device is subject to the applicable national regulations and guidelines for accident prevention. Hearing damage due to high volume and continuous exposure: Use of this product may generate high sound pressure levels (SPL) that may cause hearing damage. Avoid exposure to high volumes.

**INSTRUCTIONS FOR OUTDOOR INSTALLATION EQUIPMENT**

1. Units for installation applications are designed for continuous operation.
2. Equipment for outdoor installation is largely weather-resistant. Depending on the design, however, installed seals may be made of materials that deteriorate over time. These must be checked regularly and replaced if necessary.
3. The correct condition of the housing parts and connections must be checked regularly.
4. Surfaces and plastic parts can also weather in installation equipment, e.g. due to UV irradiation. This generally does not impair functionality.
5. Damage to the surface coating can impair the device's corrosion protection. Damaged surface coating (e.g. scratches) must be promptly repaired using suitable measures.
6. Screw connections can be impaired in their freedom of movement (e.g. due to oxidation or impurities). Here, appropriate measures for loosening are to be implemented.
7. Unless explicitly stated otherwise on the device or in the technical data, the devices are intended for installation heights of less than 5 m.

PACKAGING CONTENT

Remove the product from the packaging and remove all packaging material. Please check the completeness and integrity of the delivery and notify your distribution partner immediately after purchase if the delivery is not complete or if it is damaged.

The packaging includes:

- 1 x CE P10 projector loudspeaker with mounting bracket
- User manual

INTRODUCTION

Made of ABS, with an aluminium grille, the P10 is a loudspeaker which is great for providing coverage in public spaces and circulation areas. It is fully IP55 weatherproofed with high impact resistance for demanding outdoor environments. It comes with a built-in bracket for easy mounting. With a power rating of 10W and a frequency response of 150Hz to 15kHz, it projects sound with ease.

FEATURES

- 10 W rated power
- 100 V Taps: 2.5 / 5 / 10 W
- IP55 weatherproof
- Built in mounting bracket

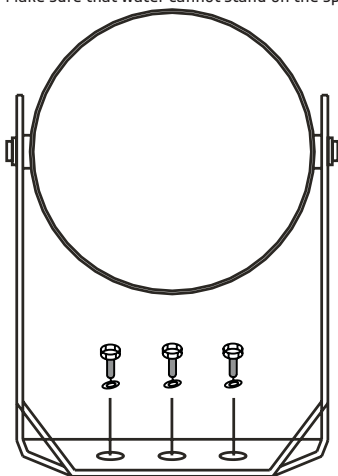
INSTALLATION

DANGER: Overhead mounting requires extensive experience, including the calculation of the load limit values of the installation material and regular safety inspection of all installation materials and devices. If you do not have these qualifications, do not attempt to perform an installation yourself. Refer instead to a qualified professional. There is a risk that devices that are incorrectly mounted and secured may come loose and fall down. This can cause serious injury or death.



Before installation, make sure that the amplifier system to which the speaker is to be connected is switched off and that the connection cables are de-energised!

- 1** Mount the speaker in a suitable position on a sufficiently stable surface. Outdoor installation: Make sure that water cannot stand on the speaker membrane.



- 2** Connect the desired transformer tap of the cable to the signal supply (see table).

CE P10	
2.5 W @ 100 V	green
5 W @ 100 V	yellow
10 W @ 100 V	red
COM	blue

CARE, MAINTENANCE AND REPAIR

In order to ensure the long-term, proper functioning of the device, it must be regularly cleaned and, if necessary, serviced. The servicing requirement depends on the intensity of use and the environment in which it is used. We recommend a visual inspection before each operation. Furthermore, we recommend carrying out all the applicable service measures specified below once every 500 operating hours or, in the case of a lower intensity of use, at the latest after one year. Warranty claims may be limited should defects result from inadequate service and maintenance.

CARE (CARRIED OUT BY USER)



WARNING! Before carrying out any care and maintenance work, the power supply and, if possible, all device connections must be unplugged.



NOTE! Improper care can lead to impairment or even destruction of the device.

1. Housing surfaces must be cleaned with a clean, damp cloth. Make sure that no moisture can penetrate the device.
2. Air inlets and outlets must be regularly cleaned of dust and dirt. If compressed air is used, make sure that damage to the device is prevented (e.g. fans must be blocked in this case).
3. Lines and plug contacts must be cleaned regularly and dust and dirt must be removed.
4. In general, no cleaning agents or abrasive agents may be used, as they may damage the surface finish. Solvents in particular, such as alcohol, can impair the function of housing seals.
5. Devices must generally be stored dry and protected from dust and dirt.

MAINTENANCE AND REPAIR (BY QUALIFIED PERSONNEL ONLY)



PLEASE NOTE! There are no user-serviceable assemblies in the device.

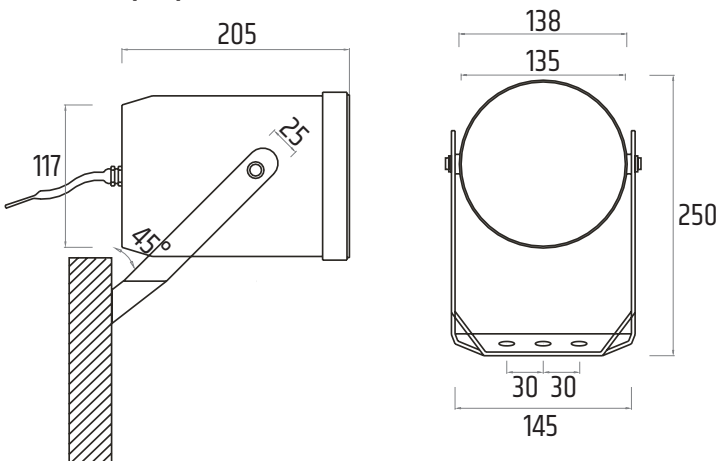


NOTE! Maintenance and repair work may only be carried out by specialist personnel authorised by the manufacturer. If in doubt, consult the manufacturer.



PLEASE NOTE! Improperly performed maintenance work may affect warranty claims.

DIMENSIONS (mm)



TECHNICAL DATA

Product number	LDCEP10
Product type	Installation loudspeakers
Type	Wall and ceiling speakers
Colour	White
Woofer size	5"
100 V inputs	2.5 W / 5 W / 10 W
Frequency response	150 Hz - 15 kHz
Sensitivity (1 W / 1 m)	89 ± 3 dB
Max. load	10 W
IP protection class	55
Ambient temperature	-25 - 55°C
Material	ABS, Aluminium front grille
Dimensions (H x W x D)	138 mm x 138 mm x 205 mm
Weight	1.6 kg

EXPLANATION OF IP PROTECTION CLASS

1. An IP rating only reflects protection from solid objects and water. It does not describe general weather resistance, such as protection from UV radiation and temperature, etc.

2. The first digit indicates protection from dust, solid objects and contact:

IP2X	Protected against solid foreign bodies ≥ 12.5 mm in diameter
IP3X	Protected against solid foreign bodies ≥ 2.5 mm in diameter
IP4X	Protected against solid foreign bodies ≥ 1.0 mm in diameter
IP5X	Protected against dust in harmful quantities and completely protected against contact
IP6X	Are dust-tight and completely protected against contact

3. The second identification digit indicates protection from water:

IPX0	No protection
IPX1	Protection against dripping water
IPX2	Protection against dripping water when the device is tilted up to 15°
IPX3	Protection against falling spray water up to 60° from the vertical
IPX4	Protection against splashing water on all sides
IPX5	Protection against water jets (nozzle) from any angle
IPX6	Protection against strong water jets
IPX7	Protection against temporary immersion

4. In addition, some device-specific measures such as covers and sealing caps are necessary in order to achieve the specified protection class (e.g. protective caps on unused connections).



The IP rating of the product can be found in the technical specifications and is printed on the device.

DISPOSAL



Packaging:

1. Packaging can be fed into the reusable material cycle using the usual disposal methods.
2. Please separate the packaging in accordance with the disposal laws and recycling regulations in your country.



Device:

1. This device is subject to the European Directive on Waste Electrical and Electronic Equipment, as amended. WEEE Directive Waste Electrical and Electronic Equipment. Electronic devices and batteries do not belong in household waste. The device or batteries must be disposed of via an authorised waste disposal company or a municipal waste disposal facility. Please observe the applicable regulations in your country!
2. Observe all disposal laws applicable in your country.
3. As a private customer, you can obtain information on environmentally-friendly disposal options from the seller of the product or the appropriate regional authorities.

MANUFACTURER'S DECLARATIONS

MANUFACTURER'S WARRANTY & LIMITATIONS OF LIABILITY

Adam Hall GmbH, Adam-Hall-Str. 1, D-61267 Neu Anspach / E-mail Info@adamhall.com / +49 (0)6081 / 9419-0.

Our current warranty conditions and limitation of liability can be found at:

https://cdn-shop.adamhall.com/media/pdf/MANUFACTURERS-DECLARATIONS_LD_SYSTEMS.pdf.

Contact your distribution partner for service.

UKCA-CONFORMITY

Hereby, Adam Hall Ltd. declares that this product meets the following guidelines (where applicable):

Electrical Equipment (Safety) Regulations 2016

Electromagnetic Compatibility Regulations 2016 (SI 2016/1091)

The Restriction of the Use of Certain Hazardous Substances in Electrical and Electronic Equipment

Regulation 2012 (SI 2012/3032)

Radio Equipment Regulations 2017 (SI 2016/2015)

UKCA-DECLARATION OF CONFORMITY

Products that are subject to Electrical Equipment(Safety)Regulation 2016, EMC Regulation 2016 or

RoHS Regulation can be requested at info@adamhall.com.

Products that are subject to the Radio Equipments Regulations 2017

(SI2017/1206) can be downloaded from www.adamhall.com/compliance/

CE CONFORMITY

Adam Hall GmbH hereby confirm that this product meets the following guidelines (where applicable):

R&TTE (1999/5/EC) or RED (2014/53/EU) as of June 2017.

Low Voltage Directive (2014/35/EU)

EMC Directive (2014/30/EU)

RoHS (2011/65/EU)

The complete Declaration of Conformity can be found at www.adamhall.com.

Furthermore, you can also request it at info@adamhall.com.

CE DECLARATION OF CONFORMITY

Declarations of conformity for products subject to the LVD, EMC, RoHS Directive can be requested from info@adamhall.com.

Declarations of conformity for products subject to RED Directive

can be downloaded from www.adamhall.com/compliance/.

Subject to misprints and errors, as well as technical or other modifications!

SIE HABEN DIE RICHTIGE WAHL GETROFFEN!

Dieses Gerät wurde unter hohen Qualitätsanforderungen entwickelt und gefertigt, um viele Jahre einen reibungslosen Betrieb zu gewährleisten. Dafür steht LD Systems mit seinem Namen und der langjährigen Erfahrung als Hersteller hochwertiger Audioprodukte. Bitte lesen Sie diese Bedienungsanleitung sorgfältig, damit Sie Ihr neues Produkt von LD Systems schnell optimal einsetzen können. Mehr Informationen zu **LD Systems** finden Sie auf unserer Internetseite WWW.LD-SYSTEMS.COM

INFORMATIONEN ZU DIESER BEDIENUNGSANLEITUNG

- Lesen Sie vor Inbetriebnahme die Sicherheitshinweise und die gesamte Anleitung aufmerksam durch.
- Beachten Sie die Warnungen auf dem Gerät und in der Bedienungsanleitung.
- Bewahren Sie die Bedienungsanleitung immer in Reichweite auf.
- Wenn Sie das Gerät verkaufen oder weitergeben, händigen Sie unbedingt auch diese Bedienungsanleitung aus, da sie ein wesentlicher Bestandteil des Produkts ist.

BESTIMMUNGSGEMÄSSER GEBRAUCH

Bei dem Produkt handelt es sich um ein Gerät für professionelle Audioinstallation! Das Produkt ist für den professionellen Einsatz im Bereich der Audioinstallation entwickelt worden und ist nicht für die Verwendung in Haushalten vorgesehen! Weiterhin ist dieses Produkt zur Installation durch qualifizierte Personen mit Fachkenntnissen, sowie zur Bedienung durch unterwiesene Personen vorgesehen! Die Benutzung des Produkts außerhalb der spezifizierten technischen Daten und Betriebsbedingungen gilt als nicht bestimmungsgemäß! Haftung für Schäden und Drittschäden an Personen und Sachen durch nicht bestimmungsgemäßen Gebrauch ist ausgeschlossen!

Das Produkt ist nicht geeignet für:

- Personen (einschließlich Kinder) mit eingeschränkten körperlichen, sensorischen oder geistigen Fähigkeiten oder mangelnder Erfahrung und Kenntnis.
- Kinder (Kinder müssen angewiesen werden, nicht mit dem Gerät zu spielen).

BEGRIFFS- UND SYMBOLERKLÄRUNGEN

1. **GEFAHR:** Mit dem Wort GEFAHR, evtl. in Kombination mit einem Symbol, wird auf unmittelbar gefährliche Situationen oder Zustände für Leib und Leben hingewiesen.
2. **WARNUNG:** Mit dem Wort WARNUNG, evtl. in Kombination mit einem Symbol, wird auf potentiell gefährliche Situationen oder Zustände für Leib und Leben hingewiesen.
3. **VORSICHT:** Mit dem Wort VORSICHT, evtl. in Kombination mit einem Symbol, wird auf Situationen oder Zustände hingewiesen, die zu Verletzungen führen können.
4. **ACHTUNG:** Mit dem Wort ACHTUNG, evtl. in Kombination mit einem Symbol, wird auf Situationen oder Zustände hingewiesen, die zu Sach- und/oder Umweltschäden führen können.



Dieses Symbol kennzeichnet Gefahren, die einen elektrischen Schlag verursachen können.



Dieses Symbol kennzeichnet Gefahrenstellen oder gefährliche Situationen.



Dieses Symbol kennzeichnet Gefahren durch heiße Oberflächen.



Dieses Symbol kennzeichnet Gefahren durch hohe Lautstärken.



Dieses Symbol kennzeichnet ergänzende Informationen zur Bedienung des Produkts.



Dieses Symbol kennzeichnet ein Gerät, in dem sich keine vom Benutzer austauschbaren Teile befinden.

SICHERHEITSHINWEISE



GEFAHR:

1. Öffnen Sie das Gerät nicht und verändern Sie es nicht.
2. Wenn Ihr Gerät nicht mehr ordnungsgemäß funktioniert, Flüssigkeiten oder Gegenstände in das Geräteinnere gelangt sind, oder das Gerät anderweitig beschädigt wurde, schalten Sie es sofort aus und trennen es von der Spannungsversorgung. Dieses Gerät darf nur von autorisiertem Fachpersonal repariert werden.
3. Bei Geräten der Schutzklasse 1 muss der Schutzleiter korrekt angeschlossen werden. Unterbrechen Sie niemals den Schutzleiter. Geräte der Schutzklasse 2 haben keinen Schutzleiter.
4. Sorgen Sie dafür, dass spannungsführende Kabel nicht geknickt oder anderweitig mechanisch beschädigt werden.
5. Überbrücken Sie niemals die Gerätesicherung.



WARNUNG:

1. Das Gerät darf nicht in Betrieb genommen werden, wenn es offensichtliche Beschädigungen aufweist.
2. Das Gerät darf nur im spannungsfreien Zustand installiert werden.
3. Wenn das Netzkabel des Geräts beschädigt ist, darf das Gerät nicht in Betrieb genommen werden.
4. Fest angeschlossene Netzleitungen dürfen nur von einer qualifizierten Person ersetzt werden.



ACHTUNG:

1. Nehmen Sie das Gerät nicht in Betrieb, wenn es starken Temperaturschwankungen ausgesetzt war (beispielsweise nach dem Transport). Feuchtigkeit und Kondensat könnten das Gerät beschädigen. Schalten Sie das Gerät erst ein, wenn es Umgebungstemperatur erreicht hat.
2. Stellen Sie sicher, dass die Spannung und die Frequenz des Stromnetzes mit den auf dem Gerät angegebenen Werten übereinstimmen. Verfügt das Gerät über einen Spannungswahlschalter, schließen Sie das Gerät erst an, wenn dieser korrekt eingestellt ist. Nutzen Sie nur geeignete Netzkabel.
3. Um das Gerät allpolig vom Netz zu trennen genügt es nicht, den Ein-/Aus-Schalter am Gerät zu betätigen.
4. Stellen Sie sicher, dass die eingesetzte Sicherung dem auf dem Gerät abgedruckten Typ entspricht.
5. Stellen Sie sicher, dass geeignete Maßnahmen gegen Überspannung (z.B. Blitzschlag) ergriffen wurden.
6. Beachten Sie den angegebenen maximalen Ausgangsstrom an Geräten mit Power Out Anschluss. Beachten Sie, dass die gesamte Stromaufnahme aller angeschlossenen Geräte den vorgegebenen Wert nicht überschreitet.
7. Ersetzen Sie steckbare Netzleitungen nur durch Originalleitungen.



GEFAHR:

1. Erstickungsgefahr! Kunststoffbeutel und Kleinteile müssen außer Reichweite von Personen (einschließlich Kindern) mit eingeschränkten körperlichen, sensorischen oder geistigen Fähigkeiten aufbewahrt werden.
2. Gefahr durch Herabfallen! Stellen Sie sicher, dass das Gerät sicher installiert ist und nicht herunterfallen kann. Verwenden Sie ausschließlich geeignete Stative bzw. Befestigungen (im Besonderen bei Festinstallationen). Stellen Sie sicher, dass Zubehör ordnungsgemäß installiert und gesichert ist. Achten Sie dabei darauf, dass geltende Sicherheitsbestimmungen eingehalten werden.



WARNUNG:

1. Verwenden Sie das Gerät nur in der vorgesehenen Art und Weise.
2. Betreiben Sie das Gerät nur mit dem vom Hersteller empfohlenen und vorgesehenen Zubehör.
3. Beachten Sie bei der Installation die für Ihr Land geltenden Sicherheitsvorschriften.
4. Überprüfen Sie nach dem Anschluss des Geräts alle Kabelwege, um Schäden oder Unfälle, z. B. durch Stolperfallen zu vermeiden.
5. Beachten Sie unbedingt den angegebenen Mindestabstand zu normal entflammaren Materialien! Sofern dieser nicht explizit ausgewiesen ist, beträgt der Mindestabstand 0,3 m.



VORSICHT:

1. Bei beweglichen Bauteilen wie Montagebügeln, oder sonstigen beweglichen Bauteilen besteht die Möglichkeit sich zu klemmen.

**ACHTUNG:**

1. Installieren und betreiben Sie das Gerät nicht in der Nähe von Heizkörpern, Wärmespeichern, Öfen oder sonstigen Wärmequellen. Sorgen Sie dafür, dass das Gerät immer so installiert ist, dass es ausreichend gekühlt wird und nicht überhitzen kann.
2. Platzieren Sie keine Zündquellen wie z.B. brennende Kerzen in der Nähe des Geräts.
3. Lüftungsöffnungen dürfen nicht abgedeckt und Lüfter nicht blockiert werden.
4. Nutzen Sie zum Transport die Originalverpackung oder vom Hersteller dafür vorgesehene Verpackungen.
5. Vermeiden Sie, dass Erschütterung oder Schläge auf das Gerät einwirken.
6. Beachten Sie die IP-Schutzart, sowie die Umgebungsbedingungen wie Temperatur und Luftfeuchtigkeit entsprechend der Spezifizierung.
7. Geräte können stetig weiterentwickelt werden. Bei abweichenden Angaben zu Betriebsbedingungen, Leistung oder sonstigen Geräteeigenschaften zwischen Bedienungsanleitung und Gerätebeschriftung, hat immer die Angabe auf dem Gerät Priorität.
8. Das Gerät ist nicht für tropische Klimazonen und für den Betrieb oberhalb 2000 m über NN geeignet.

**VORSICHT:**

Das Anschließen von Signalkabeln kann zu erheblichen Störgeräuschen führen. Achten Sie darauf, dass am Ausgang angeschlossene Geräte bei Steckvorgängen stummgeschaltet sind. Andernfalls können Pegel von Störgeräuschen zu Schäden führen.

**ACHTUNG HOHE LAUTSTÄRKEN BEI AUDIOPRODUKTEN!**

Dieses Gerät ist für den professionellen Einsatz vorgesehen. Der kommerzielle Betrieb dieses Geräts unterliegt den jeweils gültigen nationalen Vorschriften und Richtlinien zur Unfallverhütung. Gehörschäden durch hohe Lautstärken und Dauerbelastung: Bei der Verwendung dieses Produkts können hohe Schalldruckpegel (SPL) erzeugt werden, die zu Gehörschäden führen können. Vermeiden Sie die Belastung durch hohe Lautstärken.

**HINWEISE FÜR OUTDOOR-INSTALLATIONSGERÄTE**

1. Geräte für Installationsanwendungen sind für den Dauerbetrieb ausgelegt.
2. Geräte für die Außeninstallation sind weitestgehend witterungsbeständig. Je nach Bauart sind jedoch Dichtungen aus alternden Materialien verbaut. Diese müssen regelmäßig kontrolliert und bei Bedarf erneuert werden.
3. Der korrekte Zustand der Gehäuseteile und -verbindungen muss regelmäßig kontrolliert werden.
4. Oberflächen sowie Kunststoffteile können auch bei Installationsgeräten, z.B. durch UV-Einstrahlung, verwittern. Dies führt i.d.R. nicht zu Funktionseinschränkungen.
5. Durch Beschädigungen der Oberflächenbeschichtung kann der Korrosionsschutz des Geräts beeinträchtigt werden. Eine beschädigte Oberflächenbeschichtung (z.B. Kratzer) muss zeitnah durch geeignete Maßnahmen wiederhergestellt werden.
6. Verschraubungen können in ihrer Freigängigkeit beeinträchtigt werden (z.B. durch Oxidation oder Verunreinigungen). Hier sind ggf. entsprechende Maßnahmen zum Lösen anzuwenden.
7. Sofern nicht auf dem Gerät oder in den technischen Daten explizit anders ausgewiesen, sind die Geräte für Montagehöhen kleiner 5 m vorgesehen.

LIEFERUMFANG

Entnehmen Sie das Produkt aus der Verpackung und entfernen Sie sämtliches Verpackungsmaterial. Überprüfen Sie die Vollständigkeit und Unversehrtheit der Lieferung und benachrichtigen Sie Ihren Vertriebspartner bitte unverzüglich nach dem Kauf, falls die Lieferung nicht komplett oder beschädigt ist.

Im Lieferumfang des Produkts sind enthalten:

- 1 x CE P10 Projektorlautsprecher mit Montagebügel
- Bedienungsanleitung

EINLEITUNG

Der CE P10 ist ein aus ABS gefertigter Lautsprecher mit einem Aluminiumgitter, der sich hervorragend für die Beschallung von öffentlichen Räumen und Verkehrsflächen eignet. Er ist vollständig wetterfest (IP55) und dank seiner hohen Stoßfestigkeit selbst für anspruchsvollste Außenbereiche geeignet.

Zudem ist er mit einer integrierten Halterung für eine einfache Montage ausgestattet. Mit einer Nennleistung von 10 W und einem Frequenzgang von 150 Hz bis 15 kHz gibt er Audio mit Leichtigkeit wieder.

EIGENSCHAFTEN

- 10 W Nennleistung
- 100 V Leistungsabgriffe: 2,5 / 5 / 10 W
- IP55 wetterfest
- Integrierte Halterung

MONTAGE

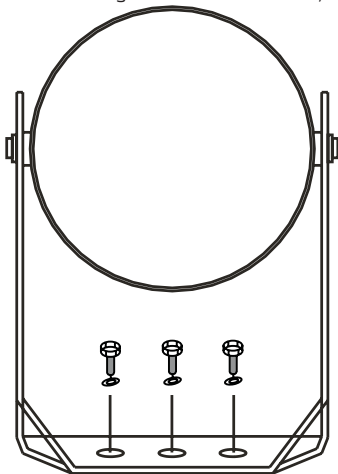


GEFAHR: Überkopfmontage erfordert umfassende Erfahrung, einschließlich der Berechnung der Grenzwerte für die Arbeitslast, des verwendeten Installationsmaterials und der regelmäßigen Sicherheitsüberprüfung aller Installationsmaterialien und Geräte. Wenn Sie diese Qualifikationen nicht haben, versuchen Sie nicht, eine Installation selbst durchzuführen, sondern nutzen Sie die Hilfe von professionellen Unternehmen. Es besteht die Gefahr, dass sich nicht korrekt montierte und gesicherte Geräte lösen und herabfallen. Dadurch können Personen schwer verletzt oder getötet werden.



Stellen Sie vor der Montage sicher, dass das Verstärkersystem, an dem der Lautsprecher angeschlossen werden soll, abgeschaltet ist und die Anschlusskabel spannungsfrei sind!

- 1 Montieren Sie den Lautsprecher in einer geeigneten Position an einen ausreichend tragfähigen Untergrund.
Outdoor-Montage: Achten Sie dabei darauf, dass Wasser nicht auf der Lautsprechermembran stehen kann.



- 2 Schließen Sie den gewünschten Transformatorabgriff des Kabels an die Signalversorgung an (siehe Tabelle).

CE P10	
2,5 W @ 100 V	grün
5 W @ 100 V	gelb
10 W @ 100 V	rot
COM	blau

PFLEGE, WARTUNG UND REPARATUR

Um die einwandfreie Funktion des Geräts auf Dauer zu gewährleisten, muss es regelmäßig gepflegt und bei Bedarf gewartet werden. Der Pflege- bzw. Wartungsbedarf steht in Abhängigkeit der Nutzungsintensität und -umgebung. Wir empfehlen generell eine Sichtprüfung vor jeder Inbetriebnahme. Weiterhin empfehlen wir alle 500 Betriebsstunden, oder bei geringerer Nutzungsintensität spätestens nach Ablauf eines Jahres alle unten genannten und zutreffenden Pflegemaßnahmen durchzuführen. Bei Mängeln, die auf eine unzureichende Pflege zurückzuführen sind, kann es zu Einschränkungen der Garantieansprüche kommen.

PFLEGE (VOM ANWENDER DURCHFÜHRBAR)



WARNUNG! Vor jeglichen Pflegemaßnahmen müssen die Spannungsversorgung und sofern möglich sämtliche Geräteverbindungen getrennt werden.



HINWEIS! Unsachgemäße Pflege kann zu Beeinträchtigung des Gerätes führen bis hin zur Zerstörung.

1. Gehäuseoberflächen müssen mit einem sauberen, feuchten Tuch gereinigt werden. Dabei ist darauf zu achten, dass keine Feuchtigkeit in das Gerät eindringen kann.
2. Luft Ein- und Austrittsöffnungen müssen regelmäßig von Staub und Schmutz befreit werden. Im Fall des Einsatzes von Druckluft ist darauf zu achten, dass Beschädigungen am Gerät verhindert werden (z.B. müssen Lüfter für diesen Fall blockiert werden).
3. Leitungen und Steckkontakte sind regelmäßig zu reinigen und von Staub und Schmutz zu befreien.
4. Es dürfen generell keine Reinigungs-, Desinfektionsmittel oder Mittel mit schleifender Wirkung zur Pflege verwendet werden, andernfalls ist mit Beeinträchtigung der Oberflächenbeschaffenheit zu rechnen. Speziell durch Lösemittel, wie Alkohol, können Gehäusedichtungen in ihrer Funktion beeinträchtigt werden.
5. Geräte sind generell trocken zu lagern und vor Staub und Verschmutzung zu schützen.

WARTUNG UND REPARATUR (NUR DURCH FACHPERSONAL)



HINWEIS! Im Gerät befinden sich keine für den Anwender zu wartenden Baugruppen.

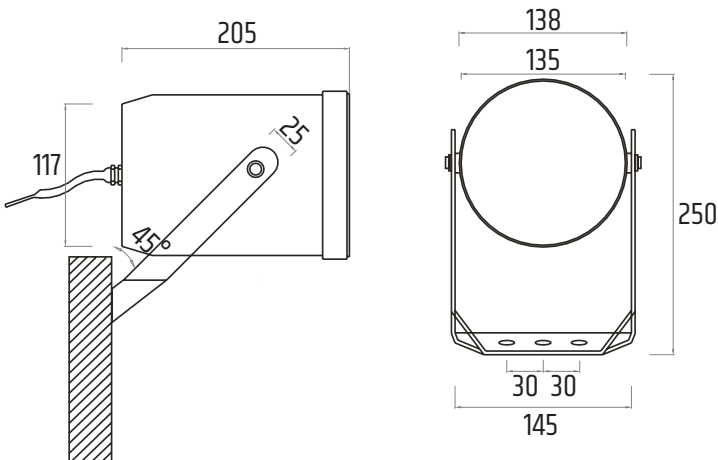


HINWEIS! Wartungs- und Reparaturmaßnahmen dürfen nur vom Hersteller autorisiertem Fachpersonal durchgeführt werden. Im Zweifel wenden Sie sich an den Hersteller.



HINWEIS! Unsachgemäß ausgeführte Wartungsarbeiten können den Gewährleistungsanspruch beeinträchtigen.

ABMESSUNGEN (mm)



TECHNISCHE DATEN

Artikelnummer	LDCEP10
Produktart	Installationslautsprecher
Typ	Wand- und Deckenlautsprecher
Farbe	Weiß
Größe Tieftöner	5"
100 V Eingänge	2,5 W / 5 W / 10 W
Frequenzgang	150 Hz - 15 kHz
Empfindlichkeit (1 W / 1 m)	89 ± 3 dB
Belastbarkeit	10 W
IP Schutzart	55
Umgebungstemperatur	-25 bis +55°C
Material	ABS, Aluminium Frontgitter
Abmessungen (H x B x T)	138 mm x 138 mm x 205 mm
Gewicht	1,6 kg

ERLÄUTERUNGEN ZUR IP-SCHUTZART

1. Eine IP-Schutzart gibt ausschließlich den Schutz gegen feste Gegenstände, sowie Wasser wieder. Sie beschreibt keine allgemeine Witterungsbeständigkeit, wie beispielsweise Schutz gegen UV-Strahlung und Temperatureinflüsse etc.

2. Die erste Kennziffer bezeichnet den Schutz gegen Staub, feste Gegenstände und Berührung:

IP2X	Geschützt gegen feste Fremdkörper mit Durchmesser $\geq 12,5$ mm
IP3X	Geschützt gegen feste Fremdkörper mit Durchmesser $\geq 2,5$ mm
IP4X	Geschützt gegen feste Fremdkörper mit Durchmesser $\geq 1,0$ mm
IP5X	Geschützt gegen Staub in schädigender Menge und vollständig gegen Berührung geschützt
IP6X	Sind staubdicht und vollständig gegen Berührung geschützt

3. Die zweite Kennziffer bezeichnet den Schutz gegen Wasser:

IPX0	kein Schutz
IPX1	Schutz gegen Tropfwasser
IPX2	Schutz gegen fallendes Tropfwasser, wenn das Gerät bis zu 15° geneigt ist
IPX3	Schutz gegen fallendes Sprühwasser bis 60° gegen die Senkrechte
IPX4	Schutz gegen allseitiges Spritzwasser
IPX5	Schutz gegen Strahlwasser (Düse) aus beliebigem Winkel
IPX6	Schutz gegen starkes Strahlwasser
IPX7	Schutz gegen zeitweiliges Untertauchen

4. Weiterhin sind teilweise gerätespezifische Maßnahmen wie Abdeckungen und Verschlusskappen notwendig um die angegebene Schutzart zu erreichen (z.B. Schutzkappen an nicht verwendeten Anschlüssen).



Die IP-Schutzart des Produkts finden Sie in den technischen Daten und als Aufdruck auf dem Gerät.

ENTSORGUNG



Verpackung:

1. Verpackungen können über die üblichen Entsorgungswege dem Wertstoffkreislauf zugeführt werden.
2. Bitte trennen Sie die Verpackung entsprechend der Entsorgungsgesetze und Wertstoffverordnungen in Ihrem Land.



Gerät:

1. Dieses Gerät unterliegt der europäischen Richtlinie für Elektro- und Elektronik-Altgeräte in der jeweils geltenden aktuellen Fassung. WEEE-Richtlinie Waste Electrical and Electronical Equipment. Altgeräte und Batterien gehören nicht in den Hausmüll. Das Altgerät bzw. Batterien müssen über einen zugelassenen Entsorgungsbetrieb oder eine kommunale Entsorgungseinrichtung entsorgt werden. Bitte beachten Sie geltende Vorschriften in Ihrem Land!
2. Beachten Sie alle in Ihrem Land geltenden Entsorgungsgesetze.
3. Als Privatkunde erhalten Sie Informationen zu umweltfreundlichen Entsorgungsmöglichkeiten über den Händler, bei dem das Produkt erworben wurde, oder über die entsprechenden regionalen Behörden.

HERSTELLERERKLÄRUNGEN

HERSTELLERGARANTIE & HAFTUNGSBESCHRÄNKUNG

Adam Hall GmbH, Adam-Hall-Str. 1, D-61267 Neu Anspach / E-Mail Info@adamhall.com / +49 (0)6081 / 9419-0.

Unsere aktuellen Garantiebedingungen und Haftungsbeschränkung finden Sie unter:

https://cdn-shop.adamhall.com/media/pdf/MANUFACTURERS-DECLARATIONS_LD_SYSTEMS.pdf.

Im Servicefall wenden Sie sich an Ihren Vertriebspartner.

CE-KONFORMITÄT

Hiermit erklärt die Adam Hall GmbH, dass dieses Produkt folgender Richtlinie entspricht (soweit zutreffend):

RETTTE (1999/5/EG) bzw. RED (2014/53/EU) ab Juni 2017

Niederspannungsrichtlinie (2014/35/EU)

EMV-Richtlinie (2014/30/EU)

RoHS (2011/65/EU)

Die vollständige Konformitätserklärung finden Sie unter www.adamhall.com.

Des Weiteren können Sie diese auch unter info@adamhall.com anfragen.

EU-KONFORMITÄTserklärung

Konformitätserklärungen für Produkte, die unter die LVD-, EMV- und RoHS Richtlinien fallen, können unter info@adamhall.com angefordert werden.

Konformitätserklärungen für Produkte, die der RED-Richtlinie unterliegen, können unter www.adamhall.com/compliance/ abgerufen werden.

Druckfehler und Irrtümer, sowie technische oder sonstige Änderungen sind vorbehalten!

VOUS AVEZ FAIT LE BON CHOIX !

Cet appareil a été conçu et fabriqué selon des normes de qualité élevées afin de garantir un fonctionnement sans faille pendant de nombreuses années. C'est ce que LD Systems représente avec son nom et sa longue expérience en tant que fabricant de produits audio de haute qualité. Veuillez lire attentivement ce mode d'emploi afin de pouvoir utiliser rapidement votre nouveau produit LD Systems de manière optimale. Vous trouverez plus d'informations sur **LD Systems** sur notre site Internet WWW.LD-SYSTEMS.COM

INFORMATIONS SUR CE MODE D'EMPLOI

- Avant la mise en service, lisez attentivement les consignes de sécurité et l'ensemble du mode d'emploi.
- Respectez les avertissements figurant sur l'appareil et dans le mode d'emploi.
- Conservez toujours le mode d'emploi à portée de main.
- Si vous vendez ou cédez l'appareil, remettez impérativement aussi ce mode d'emploi, car il fait partie intégrante du produit.

UTILISATION RÉGLEMENTÉE

Le produit est un appareil destiné à une installation audio professionnelle ! Le produit a été développé pour une utilisation professionnelle dans le domaine de l'installation audio et n'est pas destiné à être utilisé dans les foyers ! En outre, ce produit est destiné à être installé par des personnes qualifiées ayant des connaissances spécialisées et à être utilisé par des personnes instruites ! L'utilisation du produit en dehors des caractéristiques techniques et des conditions d'exploitation spécifiées est considérée comme non conforme à l'usage prévu ! La responsabilité pour les dommages et les dommages causés à des personnes et à des biens par une utilisation non conforme est exclue !

Le produit n'est pas adapté pour :

- Les personnes (y compris les enfants) dont les capacités physiques, sensorielles ou mentales sont réduites, ou qui manquent d'expérience et de connaissances.
- Les enfants (les enfants doivent être informés de ne pas jouer avec l'appareil)

EXPLICATIONS DES TERMES ET DES SYMBOLES

1. **DANGER** : Le mot DANGER, éventuellement associé à un pictogramme, indique des situations ou des conditions immédiatement dangereuses pour la vie et l'intégrité physique.
2. **AVERTISSEMENT** : Le mot AVERTISSEMENT, éventuellement associé à un pictogramme, indique des situations ou des conditions potentiellement dangereuses pour la vie et l'intégrité physique.
3. **MISE EN GARDE** : Les mots MISE EN GARDE, éventuellement associés à un pictogramme, sont utilisés pour indiquer des situations ou des conditions pouvant entraîner des blessures.
4. **ATTENTION** : Le mot ATTENTION, éventuellement associé à un symbole, fait référence à des situations ou à des conditions qui peuvent causer des dommages aux biens et/ou à l'environnement.



Ce pictogramme identifie les dangers qui peuvent causer un choc électrique.



Ce pictogramme identifie les zones ou les situations dangereuses.



Ce pictogramme indique les dangers causés par les surfaces portées à haute température.



Ce pictogramme indique des dangers dus à des niveaux de volume sonore élevés.



Ce pictogramme indique des informations supplémentaires concernant le fonctionnement du produit.



Ce pictogramme désigne un appareil qui ne contient pas de pièces réparables par l'utilisateur.

CONSIGNES DE SÉCURITÉ

ENGLISH



DANGER :

1. N'ouvrez pas l'appareil et n'y apportez aucune modification.
2. Si votre appareil ne fonctionne plus correctement, si des liquides ou des objets ont pénétré à l'intérieur ou s'il a été endommagé de toute autre manière, éteignez-le immédiatement et débranchez-le du secteur. L'appareil ne peut être réparé que par des techniciens de réparation agréés.
3. Pour les appareils de classe de protection 1, le conducteur de protection (mise à la terre) doit être connecté correctement. Ne débranchez jamais le conducteur de protection. Les appareils de classe de protection 2 ne disposent pas d'un conducteur de protection.
4. Assurez-vous que les câbles sous tension ne sont pas tordus, pincés ou endommagés mécaniquement.
5. Ne désactivez jamais le fusible de l'appareil.



AVERTISSEMENT :

1. L'appareil ne doit pas être utilisé s'il présente des signes évidents de dommages.
2. L'appareil doit être installé uniquement alors qu'il se trouve hors tension.
3. Si son cordon secteur est endommagé, n'utilisez pas l'appareil.
4. Les câbles secteur captifs ne doivent être remplacés que par une personne qualifiée.



ATTENTION :

1. Ne mettez pas immédiatement l'appareil en service s'il a été exposé à d'importantes variations de température (par exemple, juste après le transport). L'humidité et la condensation internes peuvent endommager l'appareil. N'allumez l'appareil qu'une fois qu'il a atteint la température ambiante.
2. Assurez-vous que la tension et la fréquence du secteur correspondent aux valeurs indiquées sur l'appareil. Si l'appareil est équipé d'un sélecteur de tension, ne le mettez pas en marche tant qu'il n'a pas été réglé correctement. N'utilisez que des câbles secteur adaptés.
3. Pour déconnecter l'appareil du réseau sur tous les pôles, il ne suffit pas d'appuyer sur l'interrupteur marche/arrêt de l'appareil.
4. Assurez-vous que le fusible installé correspond au type imprimé sur l'appareil.
5. Assurez-vous que des mesures appropriées ont été prises contre les surtensions (par exemple, la foudre).
6. Respectez l'intensité de sortie maximale spécifiée sur les appareils pourvus d'un renvoi secteur (Power Out). Vérifiez que la consommation totale de courant de tous les appareils connectés ne dépasse pas la valeur indiquée.
7. Ne remplacez les cordons secteur enfichables que par des cordons d'origine.

ESPAÑOL

POLSKI



DANGER :

1. Danger d'asphyxie ! Les sacs en plastique et les petites pièces doivent être tenus hors de portée des personnes (notamment les enfants) possédant des capacités physiques, sensorielles ou mentales réduites.
2. Danger en cas de chute de l'appareil ! Vérifiez que l'appareil est correctement installé et ne peut pas tomber. Utilisez uniquement des supports ou des fixations appropriés (en particulier pour les installations fixes). Vérifiez que les accessoires sont correctement installés et fixés. Veillez à ce que les règles de sécurité applicables soient respectées.



AVERTISSEMENT :

1. Utilisez uniquement cet appareil conformément à l'usage prévu.
2. N'utilisez avec l'appareil que des accessoires recommandés et prévus par le fabricant.
3. Lors de l'installation, respectez les règles de sécurité en vigueur dans votre pays.
4. Après avoir connecté l'appareil, vérifiez tous les passages de câbles afin d'éviter tout dommage ou accident, par exemple en cas de risque de trébuchement.
5. Respectez toujours la distance minimale spécifiée par rapport aux matériaux normalement inflammables. Sauf indication explicite, la distance minimale est de 0,3 m.

PRUDENCE :

1. Il existe un risque de coincement du câble dans des pièces mobiles telles que des étriers de montage ou d'autres pièces mobiles.

**ATTENTION :**

1. N'installez pas et n'utilisez pas l'appareil à proximité de radiateurs, d'accumulateurs, de poêles ou d'autres sources de chaleur. Veillez à ce que l'appareil soit toujours installé de manière à être suffisamment refroidi et à ne pas surchauffer.
2. Ne placez pas de sources d'inflammation (flammes nues) telles que des bougies allumées à proximité de l'appareil.
3. Les ouvertures de ventilation ne doivent pas être couvertes et les ventilateurs ne doivent pas être bloqués.
4. Pour le transport, utilisez l'emballage d'origine ou l'emballage fourni par le fabricant.
5. Évitez les chocs ou les impacts sur l'appareil.
6. Respectez la classe de protection IP ainsi que les conditions ambiantes telles que la température et l'humidité spécifiées dans les caractéristiques.
7. Les appareils font en permanence l'objet d'améliorations. En cas de divergence entre les instructions d'utilisation et l'étiquetage de l'appareil en ce qui concerne les conditions d'utilisation, les performances ou d'autres caractéristiques de l'appareil, les informations figurant sur l'appareil prévalent toujours.
8. L'appareil n'est pas adapté aux climats tropicaux ni à un fonctionnement à plus de 2000 m au-dessus du niveau de la mer.

**MISE EN GARDE :**

Le raccordement de câbles de signal peut entraîner des bruits parasites importants. Assurez-vous que les appareils connectés à la sortie ont leur entrée coupée (Mute) lors du branchement. Dans le cas contraire, les niveaux de bruits parasites peuvent entraîner des dommages.

**ATTENTION AUX PRODUITS AUDIO UTILISÉS À VOLUME SONORE ÉLEVÉ**

Cet appareil est prévu pour une utilisation professionnelle. L'exploitation commerciale de cet appareil est soumise aux réglementations et directives nationales applicables en matière de prévention des accidents. Dommages auditifs dus à un volume élevé et à une exposition continue : l'utilisation de ce produit peut générer des niveaux de pression acoustique (SPL) élevés susceptibles de provoquer des dommages auditifs. Évitez toute exposition à des volumes sonores élevés.

**CONSIGNES POUR LES APPAREILS POUR INSTALLATION EN EXTÉRIEUR**

1. Les appareils destinés aux applications d'installation sont conçus pour un fonctionnement en continu.
2. Les appareils destinés à une installation en extérieur sont hautement résistants aux intempéries. Toutefois, selon la conception, des joints en matériaux spécifiques sont mis en œuvre. Ceux-ci doivent être régulièrement contrôlés et remplacés si nécessaire.
3. L'état correct des pièces et des raccordements du boîtier doit être contrôlé régulièrement.
4. Les surfaces et les pièces en plastique peuvent également vieillir sur les appareils pour installation, notamment suite à l'exposition aux UV et aux fluctuations de température. Cela ne nuit généralement pas à un bon fonctionnement.
5. Un revêtement de surface endommagé peut altérer la protection contre la corrosion de l'appareil. Tout dommage au revêtement de surface (par ex. rayures) doit être réparé dans les plus brefs délais par des mesures appropriées.
6. Les raccords vissés peuvent être entravés dans leur liberté de mouvement (par ex. par l'oxydation ou les impuretés). Le cas échéant, prenez des mesures appropriées pour résoudre le problème.
7. Sauf indication contraire explicite sur l'appareil ou dans les caractéristiques techniques, les appareils sont prévus pour des hauteurs de montage inférieures à 5 m.

CONTENU DU CARTON

Sortez le produit du carton et retirez tous les matériaux d'emballage.

Veillez vérifier l'intégralité et l'intégrité de la livraison et informer votre partenaire de distribution immédiatement après l'achat si la livraison est incomplète ou endommagée.

Contenu du carton :

- 1 enceinte-projecteur sonore CE P10 avec support de montage
- Manuel d'utilisation

INTRODUCTION

Fabriquée en ABS, avec une grille en aluminium, la CE P10 est une enceinte-projecteur sonore assurant une couverture sonore efficace dans les espaces publics et les zones de circulation. Elle est entièrement résistante à l'eau (IP55) et présente une grande résistance aux chocs pour les environnements extérieurs exigeants. Elle est livrée avec un support intégré, pour un montage facile. Grâce à sa puissance admissible de 10 W et à sa réponse en fréquence s'étendant de 150 Hz à 15 kHz, elle projette le son sans effort.

CARACTÉRISTIQUES

- Puissance admissible 10 W
- Sélecteur de puissance 2,5 / 5 / 10 W pour ligne 100 V
- Résistante aux intempéries (IP55)
- Support de montage intégré

MONTAGE

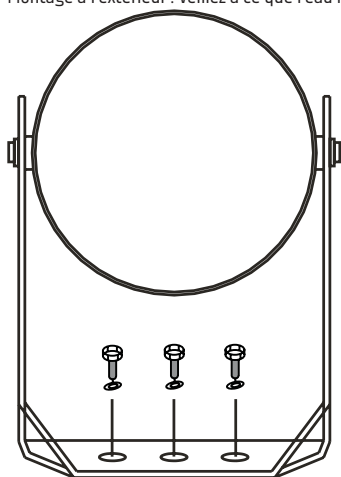


DANGER: Le montage en hauteur requiert des compétences poussées, notamment pour le calcul des valeurs limites pour la charge de service, le matériel d'installation utilisé et le contrôle de sécurité effectué régulièrement sur l'ensemble du matériel d'installation et sur les appareils. Si vous ne possédez pas les qualifications requises, n'essayez pas d'effectuer l'installation vous-même, mais faites appel à une entreprise professionnelle. Des enceintes mal montées et mal fixées risquent de se détacher et de tomber. Elles peuvent alors provoquer des blessures graves ou mortelles.



Avant de procéder au montage, assurez-vous que le système d'amplification auquel l'enceinte doit être connectée est éteint et que les câbles de connexion ne transportent aucune tension.

- 1 Montez l'enceinte dans une position appropriée sur une surface suffisamment solide.
Montage à l'extérieur : veillez à ce que l'eau ne puisse pas atteindre la membrane du haut-parleur.



- 2 Raccordez le contact de transformateur souhaité au câble provenant de l'amplificateur (voir tableau ci-après).

CE P10	
2,5 W sous 100 V	vert
5 W sous 100 V	jaune
10 W sous 100 V	rouge
COM	bleu

ENTRETIEN, MAINTENANCE ET RÉPARATION

Afin de garantir son bon fonctionnement à long terme, l'appareil doit être régulièrement nettoyé et, si nécessaire, passer en maintenance. La périodicité d'entretien et de maintenance dépend de l'intensité et de l'environnement d'utilisation. Nous vous recommandons de procéder à une inspection visuelle avant chaque utilisation. En outre, nous recommandons d'effectuer toutes les opérations de maintenance applicables spécifiées ci-dessous une fois toutes les 500 heures de fonctionnement ou, en cas d'intensité d'utilisation moindre, au plus tard au bout d'un an. Les réclamations au titre de la garantie peuvent être limitées en cas de défauts résultant d'un entretien inadéquat.

ENTRETIEN (RÉALISABLE PAR L'UTILISATEUR)



AVERTISSEMENT Avant d'effectuer toute opération d'entretien, il faut débrancher l'alimentation électrique et, si possible, toutes les connexions de l'appareil.



REMARQUE Un entretien incorrect peut entraîner une détérioration, voire une destruction de l'appareil.

1. Les surfaces du boîtier doivent être nettoyées avec un chiffon propre et humide. Veillez à éviter toute infiltration d'humidité dans l'appareil.
2. Les entrées et sorties d'air doivent être régulièrement débarrassées de la poussière et des saletés. Si vous utilisez de l'air comprimé, veillez à ne pas endommager l'appareil (dans ce cas, il faut bloquer les ventilateurs avant d'envoyer l'air comprimé).
3. Les câbles et les connecteurs doivent être nettoyés régulièrement et la poussière et la saleté doivent être éliminées.
4. En général, il ne faut pas utiliser de produits de nettoyage ou de produits abrasifs, car ils peuvent endommager la finition de la surface. Les solvants en particulier, tels que l'alcool, peuvent altérer l'étanchéité des joints des boîtiers.
5. De manière générale, les appareils doivent être stockés au sec et protégés de la poussière et de la saleté.

MAINTENANCE ET RÉPARATION (UNIQUEMENT PAR DU PERSONNEL QUALIFIÉ)



REMARQUE L'appareil ne contient pas de sous-ensembles pouvant être réparés par l'utilisateur.

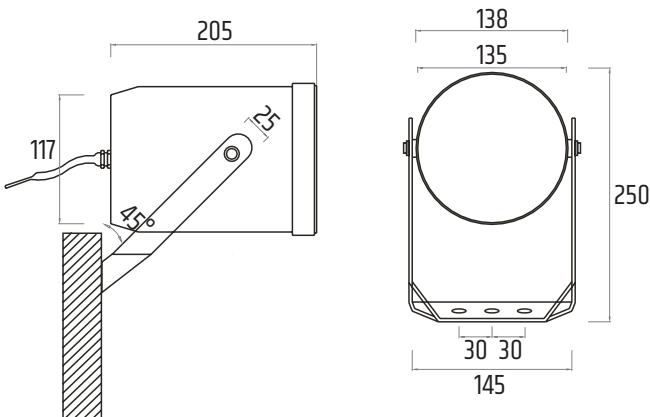


REMARQUE Les travaux de maintenance et de réparation ne peuvent être effectués que par du personnel spécialisé autorisé par le fabricant. En cas de doute, adressez-vous au fabricant.



REMARQUE Les travaux de maintenance effectués de façon non conforme peuvent affecter les demandes de garantie.

DIMENSIONS (mm)



CARACTÉRISTIQUES TECHNIQUES

Référence	LDCEP10
Catégorie de produit	Enceinte pour installation fixe
Catégorie	Enceinte plafonnier et à fixation murale
Couleur	Blanc
Taille du boomer	5 pouces
Entrées transformateur 100 V	2,5 W / 5 W / 10 W
Réponse en fréquence	150 Hz - 15 kHz
Sensibilité (1 W / 1 m)	89 ± 3 dB SPL
Puissance maximale admissible	10 W
IP (Indice de protection)	55
Température ambiante	-25 à +55°C
Matériau	ABS, grille avant aluminium
Dimensions (L x H x P)	138 mm x 138 mm x 205 mm
Poids	1,6 kg

EXPLICATIONS RELATIVES À L'INDICE DE PROTECTION IP

1. L'indice de protection IP exprime uniquement la protection contre les corps solides et l'eau. Il ne décrit pas la résistance générale aux intempéries, comme par exemple la protection contre les rayons UV, les effets de la température, etc.

2. Le premier chiffre indique la protection contre la poussière, les corps solides et le contact :

IP2X	Protection contre les corps étrangers solides d'un diamètre \geq 2,5 mm
IP3X	Protection contre les corps étrangers solides d'un diamètre \geq 2,5 mm
IP4X	Protection contre les corps étrangers solides d'un diamètre \geq 1,0 mm
IP5X	Protégé contre la poussière en quantités dangereuses et entièrement protégé contre les contacts accidentels
IP6X	Étanches à la poussière et totalement protégés contre les contacts accidentels

3. Le second chiffre indique la protection contre l'eau :

IPX0	Aucune protection
IPX1	Protection contre les gouttes d'eau
IPX2	Protection contre les chutes de gouttes d'eau lorsque l'appareil est incliné à 15°
IPX3	Protection contre l'eau pulvérisée jusqu'à 60° par rapport à la verticale
IPX4	Protection contre les projections d'eau de toutes directions
IPX5	Protection contre les jets d'eau (buse) sous n'importe quel angle
IPX6	Protection contre les jets d'eau puissants
IPX7	Protection contre les effets d'une immersion temporaire

4. En outre, des mesures spécifiques à l'appareil, telles que des caches et des capuchons de fermeture, sont parfois nécessaires pour atteindre le type de protection indiqué (par ex. capuchons de protection sur les connecteurs non utilisés).



Vous trouverez l'indice de protection IP du produit dans ses caractéristiques techniques ; il est également imprimé sur l'appareil.

MISE EN DÉCHETTERIE



Emballage :

1. Les emballages peuvent être introduits dans le cycle des matériaux réutilisables en utilisant les méthodes d'élimination habituelles.
2. Veillez à séparer les emballages conformément aux lois sur la mise au rebut et aux réglementations sur le recyclage en vigueur dans votre pays.



Appareil :

1. Cet appareil est soumis à la directive européenne sur les déchets d'équipements électriques et électroniques dans sa version actuelle. Directive DEEE Déchets d'équipements électriques et électroniques. Les appareils électroniques et les piles ne doivent pas être jetés dans les ordures ménagères. L'appareil usagé ou les piles usées doivent être éliminés via une entreprise de traitement des déchets agréée ou une déchetterie municipale. Veillez à respecter les réglementations en vigueur dans votre pays.
2. Veillez à respecter la législation relative à l'élimination des déchets en vigueur dans votre pays.
3. En tant que particulier, vous pouvez obtenir des informations sur les options d'élimination respectueuses de l'environnement auprès du vendeur du produit ou des autorités régionales compétentes.

DÉCLARATIONS DU FABRICANT

GARANTIE DU FABRICANT & LIMITATION DE RESPONSABILITÉ

Adam Hall GmbH, Adam-Hall-Str. 1, D-61267 Neu Anspach / E-Mail Info@adamhall.com / +49 (0)6081 / 9419-0.
 Vous trouverez nos conditions de garantie actuelles et la limitation de responsabilité sur :
https://cdn-shop.adamhall.com/media/pdf/MANUFACTURERS-DECLARATIONS_LD_SYSTEMS.pdf
 En cas de service, adressez-vous à votre partenaire commercial.

CONFORMITÉ CE

Par la présente, Adam Hall GmbH déclare que ce produit est conforme à la directive suivante (le cas échéant):
 R&TTE (1999/5/CE) ou RED (2014/53/UE) à partir de juin 2017.
 Directive basse tension (2014/35/EU)
 Directive EMV (2014/30/EU)
 RoHS (2011/65/EU)

La déclaration de conformité complète peut être consultée sur le site www.adamhall.com.
 En outre, vous pouvez également la demander à l'adresse info@adamhall.com.

DÉCLARATION DE CONFORMITÉ EU

Les déclarations de conformité pour les produits couverts par les directives LVD, EMC et RoHS peuvent être demandées à l'adresse info@adamhall.com.
 Les déclarations de conformité pour les produits soumis à la directive RED, peuvent être obtenues à l'adresse www.adamhall.com/compliance/.

Sous réserve de fautes d'impression et d'erreurs, ainsi que de modifications techniques ou autres !

HA TOMADO LA DECISIÓN CORRECTA

Esta unidad ha sido diseñada y fabricada con altos estándares de calidad para garantizar muchos años de funcionamiento sin problemas. Esto es lo que representa LD Systems con su nombre y sus muchos años de experiencia como fabricante de productos de audio de alta calidad. Lea atentamente este manual de instrucciones para poder sacar rápidamente el máximo partido a su nuevo producto de LD Systems. Puede encontrar más información sobre **LD Systems** en nuestra página web WWW.LD-SYSTEMS.COM

INFORMACIÓN SOBRE ESTAS INSTRUCCIONES DE USO

- Lea atentamente las instrucciones de seguridad y todo el manual antes de la puesta en marcha.
- Respete las advertencias del aparato y de las instrucciones de uso.
- Tenga siempre a mano el manual de instrucciones.
- Si vende o cede la unidad, asegúrese de entregar también estas instrucciones de uso, ya que son una parte esencial del producto.

USO CONFORME A LA NORMATIVA

El producto es un dispositivo para la instalación de audio profesional. El producto ha sido desarrollado para el uso profesional en el campo de la instalación de audio y no está destinado al uso doméstico. Además, este producto está destinado a ser instalado por personas cualificadas con conocimientos especializados y a ser manejado por personas instruidas. El uso del producto sin tener en cuenta de los datos técnicos y las condiciones de funcionamiento especificadas se considera un uso inadecuado. Queda excluida la responsabilidad por daños y perjuicios a personas y bienes debido a un uso inadecuado.

El producto no es adecuado para:

- Personas (incluidos niños) con capacidades físicas, sensoriales o mentales reducidas o con falta de experiencia o conocimientos.
- Niños (los niños deben ser instruidos para no jugar con el aparato).

EXPLICACIONES DE TÉRMINOS Y SÍMBOLOS

1. **PELIGRO:** La palabra PELIGRO, posiblemente en combinación con un símbolo, indica una situación o condición inminentemente peligrosa para la vida y la integridad física.
2. **ADVERTENCIA:** La palabra ADVERTENCIA, posiblemente en combinación con un símbolo, indica situaciones o condiciones potencialmente peligrosas para la vida y la integridad física.
3. **PRECAUCIÓN:** La palabra PRECAUCIÓN, posiblemente en combinación con un símbolo, se utiliza para indicar situaciones o condiciones que pueden provocar lesiones.
4. **ATENCIÓN:** La palabra ATENCIÓN, posiblemente en combinación con un símbolo, indica situaciones o condiciones que pueden provocar daños a la propiedad y/o al medioambiente.



Este símbolo indica peligro de descarga eléctrica.



Este símbolo identifica las zonas o situaciones peligrosas.



Este símbolo indica peligro por superficie a alta temperatura.



Este símbolo indica peligro por volumen elevado.



Este símbolo indica información complementaria sobre el uso del producto.



Este símbolo indica que en el equipo no hay piezas que pueda sustituir el usuario.

INSTRUCCIONES DE SEGURIDAD



PELIGRO:

1. No abra el equipo ni intente modificarlo.
2. Si el equipo no funciona correctamente, o si se ha vertido líquido sobre él, o si un objeto ha caído en su interior o si ha sufrido algún desperfecto, apague inmediatamente el equipo y desenchufe el cable eléctrico. Únicamente un técnico especialista debe reparar el equipo.
3. Para los equipos de la clase de protección 1, el conductor de protección debe estar conectado correctamente. No desconecte nunca el conductor de protección. Los equipos de la clase de protección 2 no tienen conductor de protección a tierra.
4. Asegúrese de que los cables con tensión no estén doblados ni dañados mecánicamente de alguna forma.
5. No puentee nunca el fusible del equipo.



ADVERTENCIA:

1. El equipo no debe ponerse en funcionamiento si presenta daños evidentes.
2. El equipo solo debe instalarse cuando esté desenchufado de la corriente eléctrica.
3. Si el cable eléctrico está dañado, no ponga en funcionamiento el equipo.
4. Los cables eléctricos fijos solo deben ser sustituidos por una persona cualificada.



ATENCIÓN:

1. Si el equipo ha estado expuesto a un cambio brusco de temperatura (por ejemplo, después del transporte), no lo encienda inmediatamente. La condensación o la humedad podrían dañar el equipo. No encienda el equipo hasta que haya alcanzado la temperatura ambiente.
2. Asegúrese de que la tensión y la frecuencia de la red eléctrica coinciden con los valores indicados en el equipo. Si el equipo dispone de un selector de tensión, antes de enchufarlo a la red eléctrica, asegúrese de que el valor seleccionado es correcto. Utilice solo cables eléctricos adecuados.
3. Para desconectar completamente el equipo de la red eléctrica, no es suficiente con pulsar el interruptor de encendido/apagado del equipo.
4. Asegúrese de que el fusible utilizado corresponde al tipo impreso en el equipo.
5. Asegúrese de que se han tomado las medidas necesarias contra las sobretensiones (por ejemplo, si cae un rayo).
6. Respete la corriente de salida máxima especificada en los equipos con salida eléctrica en paralelo. Asegúrese de que el consumo total de corriente de todos los equipos conectados no supera el valor especificado.
7. Sustituya los cables eléctricos solo por otros cables originales.



PELIGRO:

1. ¡Peligro de asfixia! Las bolsas de plástico y las piezas pequeñas deben mantenerse fuera del alcance de las personas (incluidos los niños) con capacidades físicas, sensoriales o mentales reducidas.
2. ¡Peligro de caída! Asegúrese de que el equipo está sólidamente instalado y no se puede caer. Utilice únicamente soportes y anclajes adecuados (especialmente en instalaciones fijas). Asegúrese de que los accesorios están correctamente instalados y firmemente fijados. Asegúrese de que se cumplen las normas de seguridad pertinentes.



ADVERTENCIA:

1. Utilice el equipo únicamente de la forma prevista.
2. Emplee el equipo solo con los accesorios previstos y recomendados por el fabricante.
3. Al instalar el equipo, respete las normas de seguridad aplicables en su país.
4. Una vez conectado el equipo, compruebe que en toda la longitud del cableado no hay peligro de que provoque una caída, por ejemplo.
5. ¡Es esencial respetar la distancia mínima especificada a los materiales normalmente inflamables! Si no se indica explícitamente, la distancia mínima es de 0,3 m.



PRECAUCIÓN:

1. En el caso de los componentes móviles, como los soportes de montaje u otros elementos móviles, existe la posibilidad de que se atasquen.

**ATENCIÓN:**

1. Evite instalar el equipo cerca de radiadores, acumuladores de calor, estufas o cualquier otra fuente de calor. Asegúrese de que el equipo esté instalado en un lugar con ventilación suficiente para evitar cualquier sobrecalentamiento.
2. No coloque cerca del equipo fuentes de llamas sin protección, por ejemplo, velas encendidas.
3. Las rejillas de ventilación no deben estar cubiertas; los ventiladores no deben estar bloqueados.
4. Utilice el embalaje original u otro embalaje suministrado por el fabricante para el transporte.
5. Evite los golpes o impactos en el equipo.
6. Respete la clase de protección IP, así como las condiciones ambientales, como la temperatura y la humedad, de acuerdo con las especificaciones.
7. Los equipos pueden perfeccionarse constantemente. En caso de que la información sobre las condiciones de funcionamiento, el rendimiento u otras propiedades del equipo especificada en el manual del usuario difiera de la información del etiquetado del equipo, siempre tendrá prioridad la información del equipo.
8. El equipo no es adecuado para climas tropicales ni para funcionar a más de 2000 m sobre el nivel del mar.

**PRECAUCIÓN:**

La conexión de los cables de señal puede dar lugar a ruidos de interferencia considerables. Asegúrese de que los dispositivos conectados a la salida están silenciados al encenderlos. De lo contrario, los niveles de ruido de interferencia pueden causar daños.

**ATENCIÓN: ¡ALTO VOLUMEN!**

Este equipo se destina a un uso profesional. Por consiguiente, si se aplica a un uso comercial, estará sujeto a las normas y reglamentos de la Asociación para la prevención de accidentes de su sector profesional. Daños auditivos por exposición prolongada a un nivel SPL alto: Este equipo puede generar grandes niveles de presión sonora (SPL) que pueden causar daños auditivos. Evite la exposición a volúmenes elevados.

**INSTRUCCIONES PARA LOS EQUIPOS DE INSTALACIÓN FIJA EN EXTERIORES**

1. Los equipos para aplicaciones de instalación están diseñados para un funcionamiento continuo.
2. Los equipos para instalación en exteriores son generalmente resistentes a la intemperie. Sin embargo, dependiendo del modelo, en el equipo se utilizan juntas de materiales que pueden deteriorarse con el paso del tiempo. Estas juntas se deben revisar periódicamente y, en caso necesario, reemplazar.
3. Debe comprobarse periódicamente el correcto estado de las piezas y conexiones de la carcasa.
4. Las superficies, así como las piezas de plástico, también pueden deteriorarse en los equipos de instalación debido, por ejemplo, a los efectos de la radiación UV. Por lo general, esto no suele conllevar restricciones de funcionamiento.
5. Los daños en el revestimiento de la superficie pueden afectar a la protección anticorrosión del equipo. Si el revestimiento de la superficie está dañado (p. ej., por arañazos), se deberá reparar lo antes posible con las medidas adecuadas.
6. El libre movimiento de las uniones roscadas puede verse afectado (por ejemplo, debido a la oxidación o la contaminación). En tal caso, deberán tomarse las medidas adecuadas para aflojarlas.
7. Salvo que se indique explícitamente lo contrario en el equipo, los equipos están diseñados para alturas de instalación inferiores a 5 m.

ELEMENTOS SUMINISTRADOS

Saque el producto del embalaje y retire todo el material de embalaje.

Compruebe que ha recibido en perfecto estado todos los componentes del equipo e informe al distribuidor inmediatamente después de la compra si nota algún daño o la falta de algún componente.

El producto se suministra con:

- 1 altavoz proyector CE P10 con soporte de montaje
- Manual de usuario

INTRODUCCIÓN

Fabricado en ABS, con rejilla de aluminio, el CE P10 es un altavoz ideal para dar cobertura en espacios públicos y zonas de circulación. Cuenta con protección total contra la intemperie IP55 y alta resistencia a los impactos para los entornos exteriores más adversos. Viene con un soporte incorporado para facilitar el montaje. Gracias a su potencia de 10 W y su respuesta en frecuencia

CARACTERÍSTICAS

- Potencia nominal de 10 W
- Tomas de 100 V: 2,5 W, 5 W, 10 W
- IP55, resistente a la intemperie
- Soporte de montaje incorporado

MONTAJE

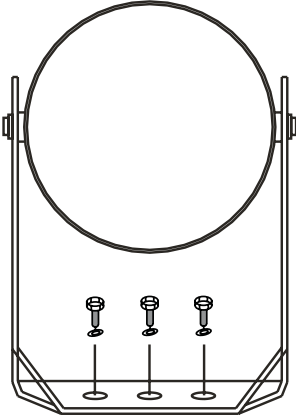


PELIGRO: El montaje en altura requiere mucha experiencia, incluido el cálculo de los valores límite de la carga de trabajo, el material de instalación utilizado y las comprobaciones de seguridad periódicas de todos los materiales de instalación y aparatos. Si no está cualificado para ello, no intente realizar la instalación por su cuenta y recurra a una empresa profesional. Existe el riesgo de que los equipos que no se hayan montado y fijado correctamente se suelten y se caigan. Esto puede provocar lesiones graves o incluso la muerte de personas.



Antes de la instalación del altavoz, asegúrese de que el amplificador al que se va a conectar está apagado y de que los cables de conexión están sin tensión.

- 1 Monte el altavoz sobre una superficie suficientemente estable y en la posición adecuada. En instalaciones en exteriores, asegúrese de que el agua no pueda acumularse sobre la membrana del altavoz.



- 2 Conecte la correspondiente toma de transformador del cable a la señal (véase la tabla).

CE P10	
2,5 W a 100 V	verde
5 W a 100 V	amarillo
10 W a 100 V	rojo
COM	azul

CUIDADO, MANTENIMIENTO Y REPARACIÓN

Para garantizar el buen funcionamiento del equipo a largo plazo, hay que limpiarlo con regularidad y, si es necesario, hacerle las revisiones necesarias. Los requisitos de mantenimiento dependen de la intensidad de uso y del entorno en el que se utilice. Por lo general, recomendamos una inspección visual antes de cada puesta en marcha. Además, recomendamos llevar a cabo todas las medidas de mantenimiento aplicables que se especifican a continuación una vez cada 500 horas de funcionamiento o, en caso de uso menos intensivo, al cabo de un año como máximo. Las reclamaciones de garantía pueden estar limitadas en caso de defectos debidos a un mantenimiento inadecuado.

LIMPIEZA (LLEVADA A CABO POR EL USUARIO)



¡ADVERTENCIA! Antes de realizar cualquier trabajo de mantenimiento, debe desenchufarse la fuente de alimentación y, si es posible, quitar todas las conexiones del equipo.



NOTA: Un cuidado inadecuado puede deteriorar el equipo e incluso destruirlo.

1. Las superficies de la carcasa deben limpiarse con un paño limpio y húmedo. Asegúrese de que la humedad no pueda penetrar en el equipo.
2. Las entradas y salidas de aire deben limpiarse regularmente de polvo y suciedad.
3. Los cables y los contactos de los enchufes deben limpiarse regularmente para eliminar el polvo y la suciedad.
4. En general, no deben utilizarse detergentes ni agentes abrasivos, ya que de lo contrario podría dañarse el acabado de la superficie. En particular, los disolventes como el alcohol pueden deteriorar el sellado de las juntas de la carcasa.
5. Por lo general, los equipos deben guardarse en un lugar seco y protegido del polvo y la suciedad.

MANTENIMIENTO Y REPARACIÓN (SOLO POR PERSONAL CUALIFICADO)



¡NOTA! En el equipo no hay componentes que pueda reparar el usuario.

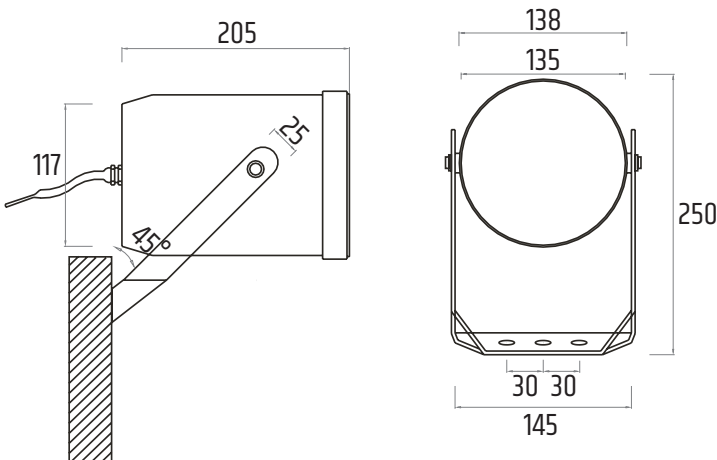


¡NOTA! Los trabajos de mantenimiento y reparación solo pueden ser realizados por personal especializado autorizado por el fabricante. En caso de duda, consulte al fabricante.



¡NOTA! Los trabajos de mantenimiento realizados indebidamente pueden afectar al derecho de garantía.

DIMENSIONES (mm)



ESPECIFICACIONES TÉCNICAS

Referencia	LDCEP10
Tipo de producto	Altavoz de instalación
Tipo	Altavoz de pared y techo
Color	Blanco
Dimensiones del woofer	5"
Entradas de 100 V	2,5 W, 5 W, 10 W
Respuesta en frecuencia	150 Hz a 15 kHz
Sensibilidad (1 W a 1 m)	89 ± 3 dB
Capacidad de carga	10 W
Protección IP	55
Temperatura ambiente	-25 °C a +55 °C
Material	ABS, rejilla frontal de aluminio
Dimensiones (al. x an. x f.):	138 mm x 138 mm x 205 mm
Peso	1,6 kg

EXPLICACIÓN SOBRE LA CLASE DE PROTECCIÓN IP

1. La clase de protección IP representa exclusivamente la protección contra objetos sólidos, así como contra el agua. No representa una resistencia general a la intemperie, como la protección contra la radiación UV y los efectos de la temperatura, etc.

2. El primer número indica la protección contra polvo, objetos sólidos e impactos:

IP2X	Protección contra cuerpos extraños sólidos con un diámetro $\geq 12,5$ mm
IP3X	Protección contra cuerpos extraños sólidos con un diámetro $\geq 2,5$ mm
IP4X	Protección contra cuerpos extraños sólidos con un diámetro $\geq 1,0$ mm
IP5X	Protegido contra el polvo en cantidades perjudiciales y totalmente protegido contra impactos
IP6X	Estanco al polvo y totalmente protegido contra impactos

3. El segundo número indica la protección contra el agua:

IPX0	Sin protección
IPX1	Protección contra gotas de agua
IPX2	Protección contra la caída de gotas de agua cuando el equipo está inclinado hasta 15°
IPX3	Protección contra el agua rociada hasta 60° respecto a la vertical
IPX4	Protección contra las salpicaduras de agua por todos los lados
IPX5	Protección contra chorros de agua a presión desde cualquier ángulo
IPX6	Protección contra chorros de agua a alta presión
IPX7	Protección contra inmersión temporal

4. Además, a veces son necesarias medidas específicas para cada dispositivo, como cubiertas y tapones, para alcanzar la clase de protección indicada (p. ej., tapas protectoras en las conexiones no utilizadas).



La clase de protección IP del producto se encuentra en los datos técnicos e impresa en el equipo.

DISPOSICIÓN



Embalaje:

1. El embalaje puede reciclarse a través de los métodos habituales de eliminación de residuos.
2. Por favor, separe el embalaje de acuerdo con las normas de eliminación de residuos y las normas de reciclaje de su país.



Aparato:

1. Este aparato está sujeto a la Directiva Europea aplicable a los residuos de aparatos eléctricos y electrónicos, en su versión modificada. Directiva RAEE sobre residuos de aparatos eléctricos y electrónicos. Los aparatos usados no deben eliminarse con la basura doméstica. Los aparatos viejos y las baterías deben eliminarse a través de un servicio de eliminación de residuos autorizado o de una instalación municipal de eliminación de residuos. Respete la normativa vigente en su país.
2. Respete todas las leyes de eliminación aplicables en su país.
3. Si es un particular, póngase en contacto con el distribuidor donde adquirió este producto, o con el ayuntamiento, para informarse sobre el reciclaje adecuado de este equipo.

DECLARACIONES DEL FABRICANTE

GARANTÍA DEL FABRICANTE Y LIMITACIÓN DE RESPONSABILIDAD

Adam Hall GmbH, Adam-Hall-Str. 1, D-61267 Neu Anspach / E-Mail Info@adamhall.com / +49 (0)6081 / 9419-0.

Nuestras condiciones de garantía actuales y la limitación de responsabilidad se pueden encontrar en:

https://cdn-shop.adamhall.com/media/pdf/MANUFACTURERS-DECLARATIONS_LD_SYSTEMS.pdf.

En caso de servicio, póngase en contacto con su distribuidor.

CONFORMIDAD CE

Adam Hall GmbH declara por la presente que este producto cumple con la siguiente directiva (si procede):

RTTE (1999/5/CE) o RED (2014/53/UE) a partir de junio de 2017

Directiva de baja tensión (2014/35/UE)

Directiva EMV (2014/30/UE)

RoHS (2011/65/UE)

Puede consultar la declaración de conformidad completa en www.adamhall.com.

Además, también puede solicitarla en info@adamhall.com.

DECLARACIÓN DE CONFORMIDAD DE LA EU

Las declaraciones de conformidad de los productos cubiertos por las Directivas LVD, EMC y RoHS

pueden solicitarse en info@adamhall.com.

Las Declaraciones de Conformidad para productos sujetos a la Directiva RED

pueden solicitarse en www.adamhall.com/compliance/.

Se reservan las erratas y los errores, así como los cambios técnicos o de otro tipo!

DOKONAŁEŚ WŁAŚCIWEGO WYBORU!

Urządzenie to zostało zaprojektowane i wyprodukowane zgodnie z wysokimi standardami jakości, aby zapewnić wiele lat bezproblemowej pracy. To właśnie oznacza LD Systems ze swoją nazwą i wieloletnim doświadczeniem jako producent wysokiej jakości produktów audio. Prosimy o dokładne zapoznanie się z niniejszą instrukcją obsługi, aby szybko uzyskać jak najwięcej korzyści z nowego produktu LD Systems. Więcej informacji o **LD Systems** znajdziecie Państwo na naszej stronie internetowej WWW.LD-SYSTEMS.COM

INFORMACJE DOTYCZĄCE NINIEJSZEJ INSTRUKCJI OBSŁUGI

- Przed uruchomieniem należy dokładnie przeczytać wskazówki bezpieczeństwa i całą instrukcję.
- Przestrzegać ostrzeżeń umieszczonych na urządzeniu oraz w instrukcji obsługi.
- Instrukcję obsługi należy zawsze przechowywać w zasięgu ręki.
- W przypadku sprzedaży lub przekazania urządzenia należy przekazać również niniejszą instrukcję obsługi, ponieważ stanowi ona istotną część produktu.

STOSOWANIE ZGODNIE Z PRZEPISAMI

Produkt jest urządzeniem przeznaczonym do profesjonalnej instalacji audio! Produkt został opracowany do profesjonalnego zastosowania w dziedzinie instalacji audio i nie jest przeznaczony do użytku w gospodarstwach domowych! Ponadto produkt ten przeznaczony jest do instalacji przez osoby wykwalifikowane, posiadające specjalistyczną wiedzę oraz do obsługi przez osoby poinstruowane! Użytkowanie produktu poza podanymi danymi technicznymi i warunkami eksploatacji jest uważane za niezgodne z przeznaczeniem! Odpowiedzialność za szkody osobowe i rzeczowe osób trzecich, powstałe w wyniku nieprawidłowego użytkowania, jest wykluczona!

Produkt nie jest odpowiedni dla:

- Osoby (w tym dzieci) o ograniczonych możliwościach fizycznych, sensorycznych lub umysłowych lub braku doświadczenia i wiedzy.
- Dzieci (dzieci należy poinstruować, aby nie bawiły się urządzeniem).

DEFINICJE I OBJAŚNIENIA SYMBOLI

1. **NIEBEZPIECZEŃSTWO:** Słowo NIEBEZPIECZEŃSTWO, ewentualnie w połączeniu z symbolem, wskazuje na sytuacje lub warunki bezpośrednio zagrażające życiu i zdrowiu.
2. **OSTRZEŻENIE:** Słowo OSTRZEŻENIE, ewentualnie w połączeniu z symbolem, wskazuje na potencjalnie niebezpieczne sytuacje lub warunki dla życia i zdrowia.
3. **PRZESTROGA:** Słowo PRZESTROGA, ewentualnie w połączeniu z symbolem, jest używane do wskazania sytuacji lub warunków, które mogą prowadzić do obrażeń.
4. **UWAGA:** Słowo UWAGA, ewentualnie w połączeniu z symbolem, odnosi się do sytuacji lub stanów, które mogą prowadzić do szkód materialnych i/lub środowiskowych.



Ten symbol wskazuje na zagrożenia, które mogą spowodować porażenie prądem.



Ten symbol oznacza niebezpieczne obszary lub niebezpieczne sytuacje.



Ten symbol oznacza zagrożenia spowodowane gorącymi powierzchniami.



Ten symbol oznacza niebezpieczeństwo związane z wysokim poziomem głośności.



Ten symbol oznacza dodatkowe informacje na temat działania produktu.



Ten symbol oznacza urządzenie, które nie zawiera żadnych części nadających się do samodzielnego serwisowania przez użytkownika.

INSTRUKCJE BEZPIECZEŃSTWA

ENGLISH



NIEBEZPIECZEŃSTWO:

1. Proszę nie otwierać urządzenia i nie wprowadzać żadnych modyfikacji.
2. Jeśli urządzenie przestanie działać prawidłowo, jeśli do jego wnętrza dostaną się płyny lub przedmioty lub jeśli zostanie ono uszkodzone w jakikolwiek inny sposób, należy je natychmiast wyłączyć i odłączyć od zasilania. Urządzenie może być naprawiane wyłącznie przez autoryzowanych serwisantów.
3. W przypadku urządzeń klasy ochrony 1 przewód ochronny musi być prawidłowo podłączony. Nigdy nie odłączać przewodu ochronnego. Urządzenia klasy ochrony 2 nie posiadają przewodu ochronnego.
4. Upewnij się, że przewody pod napięciem nie są zagięte lub w inny sposób uszkodzone mechanicznie.
5. Nigdy nie wolno omijać bezpiecznika urządzenia.



OSTRZEŻENIE!

1. Urządzenie nie może być używane, jeśli wykazuje wyraźne oznaki uszkodzenia.
2. Urządzenie może być instalowane wyłącznie w stanie beznapięciowym.
3. Jeśli kabel zasilający urządzenia jest uszkodzony, urządzenie nie powinno być używane.
4. Kable zasilające podłączone na stałe mogą być wymieniane tylko przez wykwalifikowany personel.



UWAGA:

1. Nie należy używać urządzenia, jeśli było ono narażone na duże wahania temperatury (na przykład po transporcie). Wilgoć i kondensacja mogą uszkodzić urządzenie. Urządzenie należy włączyć dopiero po osiągnięciu temperatury otoczenia.
2. Proszę upewnić się, że napięcie i częstotliwość sieci zasilającej odpowiadają wartościom podanym na urządzeniu. Jeśli urządzenie posiada przełącznik wyboru napięcia, nie należy włączać urządzenia, dopóki nie zostanie on prawidłowo ustawiony. Stosować tylko odpowiednie kable zasilające.
3. Aby odłączyć urządzenie od sieci na wszystkich biegunach, nie wystarczy nacisnąć włącznik/wyłącznik na urządzeniu.
4. Proszę upewnić się, że używany bezpiecznik odpowiada typowi podanemu na urządzeniu.
5. Proszę upewnić się, że podjęto odpowiednie środki zapobiegające skokom napięcia (np. uderzeniom pioruna).
6. Proszę przestrzegać podanego maksymalnego prądu wyjściowego w urządzeniach z wyjściem Power Out. Należy upewnić się, że całkowity pobór prądu wszystkich podłączonych urządzeń nie przekracza podanej wartości.
7. Podłączane kable sieciowe należy wymieniać tylko na oryginalne.

FRANÇAIS

ESPAÑOL

POLSKI



NIEBEZPIECZEŃSTWO:

1. Niebezpieczeństwo uduszenia! Plastikowe torby i małe części muszą być przechowywane poza zasięgiem osób (w tym dzieci) o ograniczonych zdolnościach fizycznych, sensorycznych lub umysłowych.
2. Niebezpieczeństwo spowodowane przez spadające urządzenie! Proszę upewnić się, że urządzenie jest bezpiecznie zamontowane i nie może spaść. Należy używać wyłącznie odpowiednich stojaków lub uchwytów (szczególnie w przypadku instalacji stałych). Upewnij się, że akcesoria są prawidłowo zamontowane i zabezpieczone. Zapewnić przestrzeganie obowiązujących przepisów bezpieczeństwa.



OSTRZEŻENIE!

1. Proszę używać urządzenia wyłącznie w zalecany sposób.
2. Urządzenie należy użytkować wyłącznie z akcesoriami zalecanymi i przeznaczonymi przez producenta.
3. Podczas instalacji należy przestrzegać przepisów bezpieczeństwa obowiązujących w Państwie kraju.
4. Po podłączeniu urządzenia należy sprawdzić wszystkie trasy kabli, aby uniknąć uszkodzeń lub wypadków, np. z powodu ryzyka potknięcia.
5. Proszę zawsze przestrzegać podanej minimalnej odległości od normalnie łatwopalnych materiałów! Jeśli nie jest to wyraźnie określone, minimalna odległość wynosi 0,3 m.



PRZESTROGA!

1. Jeśli chodzi o ruchome elementy, takie jak wsporniki montażowe lub inne ruchome elementy, proszę uważać na możliwość zakleszczenia.

ITALIANO

**UWAGA:**

1. Nie instalować ani nie używać urządzenia w pobliżu grzejników, pieców lub innych źródeł ciepła. Należy zadbać o to, aby urządzenie było zawsze zainstalowane w taki sposób, aby było wystarczająco chłodzone i nie mogło się przegrzać.
2. W pobliżu urządzenia nie należy umieszczać źródeł zapłonu, takich jak zapalone świece.
3. Nie wolno zakrywać otworów wentylacyjnych i blokować wentylatorów.
4. Do transportu należy używać oryginalnego opakowania lub opakowania dostarczonego przez producenta.
5. Należy unikać wstrząsów lub uderzeń w urządzenie.
6. Należy przestrzegać stopnia ochrony IP oraz warunków otoczenia, takich jak temperatura i wilgotność zgodnie ze specyfikacją.
7. Urządzenia mogą być stale rozwijane. W przypadku jakichkolwiek rozbieżności między instrukcją obsługi a etykietą urządzenia w odniesieniu do warunków pracy, wydajności lub innych cech urządzenia, informacje na urządzeniu zawsze mają pierwszeństwo.
8. Urządzenie nie nadaje się do pracy w klimacie tropikalnym i na wysokości powyżej 2000 m nad poziomem morza.

**PRZESTROGA!**

Podłączanie kabli sygnałowych może powodować wiele zakłóceń. Proszę upewnić się, że urządzenia podłączone do wyjścia są wyciszone po podłączeniu. Poza tym poziom zakłóceń może spowodować uszkodzenie.

**UWAGA: PRODUKTY AUDIO O DUŻEJ GŁOŚNOŚCI!**

To urządzenie jest przeznaczone do użytku profesjonalnego. Komercyjna eksploatacja tego urządzenia podlega obowiązującym krajowym przepisom i wytycznym dotyczącym zapobiegania wypadkom. Uszkodzenie słuchu spowodowane wysokim poziomem głośności i ciągłym narażeniem: Korzystanie z tego produktu może generować wysokie poziomy ciśnienia akustycznego (SPL), które mogą spowodować uszkodzenie słuchu. Unikać ekspozycji na duże poziomy głośności.

**INSTRUKCJE DOTYCZĄCE SPRZĘTU DO INSTALACJI NA ZEWNĄTRZ**

1. Urządzenia do zastosowań instalacyjnych są przeznaczone do pracy ciągłej.
2. Sprzęt do instalacji na zewnątrz jest w dużej mierze odporny na warunki atmosferyczne. Jednak w zależności od konstrukcji, zainstalowane uszczelki mogą być wykonane z materiałów, które z czasem ulegają zniszczeniu. Należy je regularnie sprawdzać i w razie potrzeby wymieniać.
3. Należy regularnie sprawdzać prawidłowy stan części obudowy i połączeń.
4. Powierzchnie i części plastikowe mogą również ulegać starzeniu w sprzęcie instalacyjnym, np. w wyniku promieniowania UV. Z reguły nie wpływa to negatywnie na funkcjonalność
5. Uszkodzenie powłoki powierzchniowej może osłabić ochronę antykorozyjną urządzenia. Uszkodzona powłoka powierzchni (np. zadrapania) musi zostać niezwłocznie naprawiona przy użyciu odpowiednich środków.
6. Swoboda ruchu połączeń śrubowych może być ograniczona (np. z powodu utleniania lub zanieczyszczeń). W tym przypadku należy wdrożyć odpowiednie środki w celu poluzowania połączenia.
7. O ile nie zaznaczono inaczej na urządzeniu lub w danych technicznych, urządzenia są przeznaczone do montażu na wysokości mniejszej niż 5 m.

ZAWARTOŚĆ OPAKOWANIA

Wyjąć produkt z opakowania i usunąć wszystkie materiały opakowaniowe. Proszę sprawdzić kompletność i integralność dostawy i niezwłocznie po zakupie powiadomić sprzedawcę, jeśli dostawa nie jest kompletna lub jest uszkodzona.

Opakowanie zawiera:

- 1 x głośnik projektorowy CE P10 z uchwytem montażowym
- INSTRUKCJA UŻYTKOWANIA

WSTEP

Wykonany z ABS, z aluminiową maskownicą, CE P10 to głośnik, który doskonale nadaje się do zapewnienia zasięgu w miejscach publicznych i obszarach komunikacyjnych. Jest w pełni odporny na warunki atmosferyczne IP55 i wysoką odporność na uderzenia w wymagających środowiskach zewnętrznych. Posiada wbudowany uchwyt ułatwiający montaż. Dzięki mocy znamionowej 10 W i pasmu przenoszenia od 150 Hz do 15 kHz, z łatwością emituje dźwięk.

CHARAKTERYSTYKA

- Moc znamionowa 10 W
- Odczepy 100 V: 2,5 / 5 / 10 W
- Odporność na warunki atmosferyczne IP55
- Wbudowany uchwyt montażowy

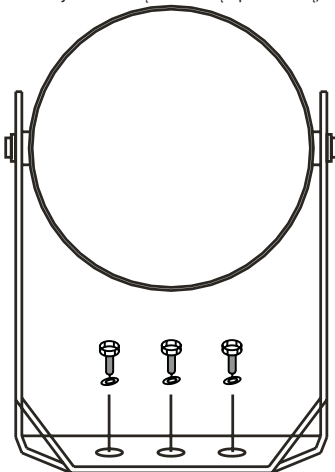
INSTALACJA

NIEBEZPIECZEŃSTWO: Montaż podwieszany na wysokości wymaga dużego doświadczenia, w tym obliczenia wartości granicznych obciążeń materiałów instalacyjnych oraz regularnej kontroli bezpieczeństwa wszystkich materiałów instalacyjnych i urządzeń. Jeśli nie posiadają Państwo takich kwalifikacji, proszę nie podejmować prób samodzielnej instalacji. Należy zwrócić się do wykwalifikowanego specjalisty. Istnieje ryzyko, że nieprawidłowo zamontowane i zabezpieczone urządzenia mogą się poluzować i spaść. Może to spowodować poważne obrażenia lub śmierć.



Przed instalacją proszę upewnić się, że wzmacniacz, do którego ma być podłączony głośnik, jest wyłączony, a kable połączeniowe są odłączone od zasilania!

- 1** Zamontować głośnik w odpowiedniej pozycji na wystarczająco stabilnej powierzchni. Instalacja na zewnątrz. Proszę upewnić się, że woda nie będzie mogła pozostać na membranie głośnika.



- 2** Podłączyć żądany odczep kablowy transformatora do źródła sygnału (patrz tabela).

CE P10	
2,5 W @ 100 V	zielony
5 W przy 100 V	żółty
10 W przy 100 V	czerwony
COM	niebieski

PIELĘGNACJA, KONSERWACJA I NAPRAWA

Aby zapewnić długotrwałe i prawidłowe działanie urządzenia, należy je regularnie czyścić i w razie potrzeby serwisować. Wymóg serwisowania zależy od intensywności użytkowania i środowiska, w którym jest używany. Zalecamy kontrolę wzrokową przed każdym uruchomieniem. Ponadto zalecamy przeprowadzanie wszystkich wymienionych poniżej czynności konserwacyjnych raz na 500 godzin pracy lub, w przypadku mniejszej intensywności użytkowania, najpóźniej po roku. Roszczenia gwarancyjne mogą być ograniczone, jeśli wady wynikają z nieodpowiedniego serwisu i konserwacji.

PIELĘGNACJA (PRZEPROWADZANA PRZEZ UŻYTKOWNIKA)



OSTRZEŻENIE! Przed przystąpieniem do jakichkolwiek prac konserwacyjnych należy odłączyć zasilanie i, jeśli to możliwe, wszystkie połączenia urządzenia.



UWAGA: Niewłaściwa obsługa może doprowadzić do uszkodzenia lub nawet zniszczenia urządzenia.

1. Powierzchnie obudowy należy czyścić czystą, wilgotną szmatką. Proszę upewnić się, że do urządzenia nie przedostanie się wilgoć.
2. Wloty i wyloty powietrza muszą być regularnie czyszczone z kurzu i brudu. Jeśli używane jest sprężone powietrze, należy upewnić się, że urządzenie nie zostanie uszkodzone (np. w takim przypadku należy zablokować wentylatory).
3. Należy regularnie czyścić przewody i styki wtyczek oraz usuwać kurz i brud.
4. Zasadniczo nie wolno stosować żadnych środków czyszczących ani ściernych, ponieważ mogą one uszkodzić wykończenie powierzchni. W szczególności rozpuszczalniki, takie jak alkohol, mogą osłabiać działanie uszczelek obudowy.
5. Urządzenia muszą być przechowywane w suchym miejscu i chronione przed kurzem i brudem.

KONSERWACJA I NAPRAWA (TYLKO PRZEZ WYKWALIFIKOWANY PERSONEL)



UWAGA! W urządzeniu nie ma podzespołów, które mogą być serwisowane przez użytkownika.

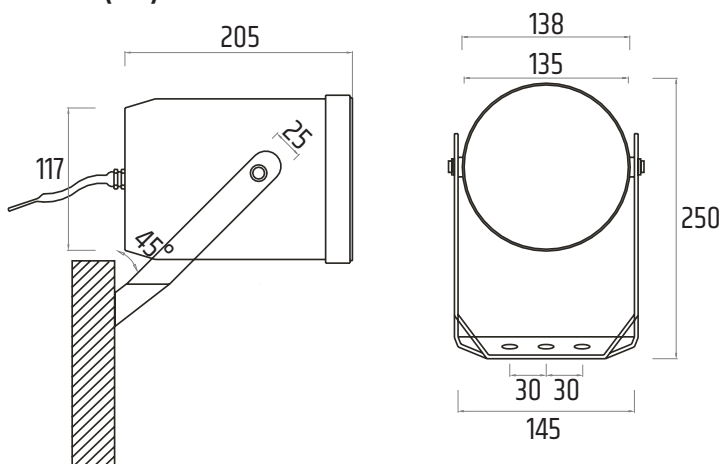


UWAGA! Prace konserwacyjne i naprawcze mogą być wykonywane wyłącznie przez wyspecjalizowany personel upoważniony przez producenta. W razie wątpliwości należy skonsultować się z producentem.



UWAGA! Nieprawidłowo wykonane prace konserwacyjne mogą mieć wpływ na roszczenia gwarancyjne.

WYMIARY (mm)



DANE TECHNICZNE

Numer produktu	LDCEP10
Typ produktu	Głośniki instalacyjne/głośniki
Typ	Głośniki ściennie i sufitowe
Kolor	Biały
Wielkość głośnika niskotonowego	5"
wejścia 100 V	2,5 W / 5 W / 10 W
Pasma przenoszenia	150 Hz - 15 kHz
Czułość (1 W / 1 m)	89 ± 3 dB
Maks. obciążenie	10 W
Stopień ochrony IP	55
Temperatura zewnętrzna	-25 do +55°C
Materiał	ABS, aluminiowa kratka przednia
Wymiary (wys. x szer. x gł.)	138 mm x 138 mm x 205 mm
Waga	1,6 kg

WYJAŚNIENIE KLASY OCHRONY IP

1. Stopień ochrony IP odzwierciedla jedynie ochronę przed ciałami stałymi i wodą. Nie opisuje ogólnej odporności na warunki atmosferyczne, takiej jak ochrona przed promieniowaniem UV i temperaturą itp.

2. Pierwsza cyfra oznacza ochronę przed pyłem, ciałami stałymi i kontaktem:

IP2X	Ochrona przed stałymi ciałami obcymi o średnicy $\geq 12,5$ mm
IP3X	Ochrona przed stałymi ciałami obcymi o średnicy $\geq 2,5$ mm
IP4X	Ochrona przed stałymi ciałami obcymi o średnicy $\geq 1,0$ mm
IP5X	Chronione przed pyłem w szkodliwych ilościach i całkowicie chronione przed kontaktem
IP6X	Pyłoszczelne i całkowicie zabezpieczone przed kontaktem

3. Druga cyfra identyfikacyjna oznacza ochronę przed wodą:

IPX0	Brak ochrony
IPX1	Ochrona przed kapiącą wodą
IPX2	Ochrona przed kapiącą wodą, gdy urządzenie jest przechylone do 15°
IPX3	Ochrona przed spadającym strumieniem wody do 60° od pionu
IPX4	Ochrona przed bryzgami wody ze wszystkich stron
IPX5	Ochrona przed strumieniem wody (dysza) pod dowolnym kątem
IPX6	Ochrona przed silnymi strumieniami wody
IPX7	Ochrona przed tymczasowym zanurzeniem

4. Ponadto, niektóre środki specyficzne dla urządzenia, takie jak osłony i zaślepki uszczelniające, są niezbędne do osiągnięcia określonej klasy ochrony (np. zaślepki ochronne na nieużywanych połączeniach).



Stopień ochrony IP produktu można znaleźć w specyfikacjach technicznych i jest wydrukowany na urządzeniu.

DYSPOZYCJA



Opakowanie:

1. Opakowania można wprowadzić do cyklu recyklingu materiałów do ponownego wykorzystania przy użyciu standardowych metod utylizacji.
2. Prosimy o oddzielenie opakowania zgodnie z przepisami dotyczącymi utylizacji i recyklingu obowiązującymi w danym kraju.



Urządzenie:

1. Niniejsze urządzenie podlega europejskiej dyrektywie w sprawie zużytego sprzętu elektrycznego i elektronicznego, z późniejszymi zmianami. Dyrektywa WEEE Zużyty sprzęt elektryczny i elektroniczny. Urządzenia elektroniczne i baterie nie należą do odpadów domowych. Zużyte urządzenie lub baterie należy zutylizować za pośrednictwem autoryzowanej firmy zajmującej się utylizacją odpadów lub zakładu utylizacji odpadów komunalnych. Należy przestrzegać odpowiednich przepisów obowiązujących w danym kraju!
2. Należy przestrzegać wszystkich przepisów dotyczących utylizacji obowiązujących w Państwie Kraju.
3. Jako klient prywatny mogą Państwo uzyskać informacje na temat przyjaznych dla środowiska opcji utylizacji od sprzedawcy produktu lub odpowiednich władz regionalnych.

OŚWIADCZENIA PRODUCENTA

GWARANCJA PRODUCENTA I OGRANICZENIE ODPOWIEDZIALNOŚCI

Adam Hall GmbH, Adam-Hall-Str. 1, D-61267 Neu Anspach / E-Mail Info@adamhall.com / +49 (0)6081 / 9419-0.
Nasze aktualne warunki gwarancji i ograniczenia odpowiedzialności znajdują się na stronie:
https://cdn-shop.adamhall.com/media/pdf/MANUFACTURERS-DECLARATIONS_LD_SYSTEMS.pdf.
W przypadku serwisu prosimy o kontakt z partnerem handlowym.

ZGODNOŚĆ CE

Adam Hall GmbH oświadcza niniejszym, że ten produkt jest zgodny z następującą dyrektywą (jeśli dotyczy):
R&TTE (1999/5/EC) lub RED (2014/53/EU) od czerwca 2017 r.
Dyrektywa niskonapięciowa (2014/35/UE)
Dyrektywa EMV (2014/30/UE)
RoHS (2011/65/EU)
Pełna deklaracja zgodności znajduje się na stronie www.adamhall.com.
Ponadto można ją również zamówić na stronie info@adamhall.com.

DEKLARACJA ZGODNOŚCI EU

Deklaracje zgodności dla produktów objętych dyrektywami LVD, EMC i RoHS można zamówić na stronie info@adamhall.com.
Deklaracje zgodności dla produktów podlegających dyrektywie RED, można uzyskać na stronie www.adamhall.com/compliance/.

Pomyłki i błędy, jak również zmiany techniczne lub inne są zastrzeżone!

AVETE FATTO LA SCELTA GIUSTA!

Questa unità è stata progettata e prodotta secondo standard di alta qualità per garantire un funzionamento senza problemi per molti anni. Questo è ciò che LD Systems rappresenta con il suo nome e la sua pluriennale esperienza come produttore di prodotti audio di alta qualità. Leggere attentamente le presenti istruzioni per l'uso in modo da poter sfruttare al meglio il nuovo prodotto LD Systems. Ulteriori informazioni su **LD Systems** sono disponibili sul nostro sito web WWW.LD-SYSTEMS.COM

INFORMAZIONI SU QUESTE ISTRUZIONI PER L'USO

- Prima della messa in funzione, leggere attentamente le istruzioni di sicurezza e l'intero manuale.
- Osservare le avvertenze riportate sull'apparecchio e nelle istruzioni per l'uso.
- Tenere sempre a portata di mano le istruzioni per l'uso.
- In caso di vendita o cessione dell'apparecchio, assicurarsi di consegnare anche le presenti istruzioni per l'uso, in quanto costituiscono una parte essenziale del prodotto.

UTILIZZO IN CONFORMITÀ ALLE NORMATIVE

Il prodotto è un dispositivo per l'installazione audio professionale! Il prodotto è stato sviluppato per l'uso professionale nel campo dell'installazione audio e non è destinato all'uso domestico! Inoltre, questo prodotto è destinato all'installazione da parte di persone qualificate con conoscenze specifiche e all'uso da parte di persone istruite! L'uso del prodotto al di fuori dei dati tecnici e delle condizioni operative specificate è considerato un uso improprio! È esclusa la responsabilità per danni a persone e cose dovuti a un uso improprio!

Il prodotto non è adatto a:

- Persone (compresi i bambini) con ridotte capacità fisiche, sensoriali o mentali o con mancanza di esperienza e conoscenza.
- Bambini (i bambini devono essere istruiti a non giocare con l'apparecchio)

SPIEGAZIONE DI TERMINI E SIMBOLI

1. **PERICOLO:** la parola PERICOLO, eventualmente abbinata a un simbolo, indica situazioni o condizioni immediatamente pericolose per l'incolumità.
2. **AVVERTENZA:** la parola AVVERTENZA, eventualmente abbinata a un simbolo, indica situazioni o condizioni potenzialmente pericolose per l'incolumità.
3. **CAUTELA:** la parola CAUTELA, eventualmente abbinata a un simbolo, indica situazioni o condizioni che possono provocare lesioni.
4. **ATTENZIONE:** la parola ATTENZIONE, eventualmente abbinata a un simbolo, indica situazioni o condizioni che possono provocare danni alle cose e/o all'ambiente.



Questo simbolo indica pericoli che possono causare scosse elettriche.



Questo simbolo indica punti di pericolo o situazioni pericolose.



Questo simbolo indica pericoli dovuti a superfici calde.



Questo simbolo indica pericoli dovuti a livelli di volume elevati.



Questo simbolo indica informazioni complementari sull'utilizzo del prodotto.



Questo simbolo indica un dispositivo che non contiene parti sostituibili dall'utente.

INDICAZIONI SULLA SICUREZZA



PERICOLO

1. Non aprire né modificare il dispositivo.
2. Se il dispositivo non funzionasse più correttamente, vi fossero caduti sopra dei liquidi o degli oggetti, o se fosse stato danneggiato in altro modo, spegnerlo immediatamente e staccarlo dall'alimentazione elettrica. La riparazione del dispositivo deve essere affidata esclusivamente a personale qualificato autorizzato.
3. Nei dispositivi con classe di protezione 1, il conduttore di protezione deve essere collegato correttamente. Non disattivare mai il conduttore di protezione. I dispositivi con classe di protezione 2 non hanno il conduttore di protezione.
4. Assicurarsi che i cavi sotto tensione non siano piegati o riportino altri danni di tipo meccanico.
5. Non bypassare mai il fusibile del dispositivo.



AVVERTENZA

1. Il dispositivo non deve essere messo in funzione se presenta danni evidenti.
2. Il dispositivo deve essere installato solo in assenza di tensione.
3. Il dispositivo non deve essere messo in funzione se il cavo di alimentazione è danneggiato.
4. I cavi di alimentazione fissi devono essere sostituiti solo da personale qualificato.



ATTENZIONE

1. Non mettere in funzione il dispositivo se ha subito forti sbalzi di temperatura (ad esempio dopo il trasporto). Umidità e condensa potrebbero danneggiare il dispositivo. Accendere il dispositivo solo dopo che ha raggiunto la temperatura ambiente.
2. Verificare che la tensione e la frequenza della rete elettrica corrispondano ai valori indicati sul dispositivo. Se il dispositivo è dotato di selettore di tensione, collegare il dispositivo solo dopo aver impostato il selettore correttamente. Utilizzare esclusivamente cavi di alimentazione adatti.
3. Per scollegare dalla rete elettrica tutti i poli del dispositivo, non è sufficiente premere l'interruttore di accensione/spegnimento del dispositivo.
4. Assicurarsi che il fusibile utilizzato corrisponda al tipo stampato sul dispositivo.
5. Accertarsi che siano state adottate misure adeguate contro la sovratensione (ad es. fulmini).
6. Rispettare la corrente di uscita massima indicata sui dispositivi con collegamento Power Out. Assicurarsi che la potenza assorbita complessivamente da tutti i dispositivi collegati non superi il valore indicato.
7. Sostituire i cavi di alimentazione a innesto esclusivamente con cavi originali.



PERICOLO

1. Pericolo di soffocamento! I sacchetti di plastica e i componenti minuti devono essere tenuti fuori dalla portata delle persone (inclusi i bambini) con limitate capacità fisiche, sensoriali o mentali.
2. Pericolo di caduta! Verificare che l'apparecchio sia installato in modo stabile e non possa cadere. Utilizzare esclusivamente stativi e dispositivi di fissaggio adatti (in particolare nel caso di impianti fissi). Assicurarsi che gli accessori siano installati e fissati correttamente. Aver cura di rispettare le disposizioni di sicurezza in vigore.



AVVERTENZA

1. Utilizzare il dispositivo unicamente nelle modalità previste.
2. Azionare il dispositivo esclusivamente con gli accessori appositamente consigliati e previsti dal produttore.
3. Durante l'installazione, osservare le normative sulla sicurezza in vigore nel proprio Paese.
4. Una volta collegato il dispositivo, verificare tutti i cavi per evitare danni o incidenti, ad esempio per inciampo.
5. Rispettare assolutamente la distanza minima indicata per i materiali normalmente infiammabili! Salvo diversa ed esplicita indicazione, la distanza minima è 0,3 m.



CAUTELA

1. I componenti mobili, come le staffe di montaggio o componenti mobili di altro tipo, comportano il rischio di schiacciamento.

**ATTENZIONE**

1. Non installare né azionare il dispositivo in prossimità di radiatori, accumulatori termici, stufe o altre fonti di calore. Accertarsi che il dispositivo sia sempre installato in modo che venga raffreddato a sufficienza e non possa surriscaldarsi.
2. Non posizionare fonti di accensione, come candele accese, in prossimità del dispositivo.
3. Le fessure di ventilazione non devono essere coperte e le ventole non devono essere bloccate.
4. Per il trasporto utilizzare l'imballaggio originale o imballaggi previsti dal produttore.
5. Non sottoporre il dispositivo a urti o scossoni.
6. Rispettare la classe di protezione IP e le condizioni ambientali, come la temperatura e l'umidità dell'aria, secondo la specifica.
7. I dispositivi possono essere continuamente perfezionati. Se le indicazioni relative alle condizioni di funzionamento, alle prestazioni, o ad altre caratteristiche del dispositivo riportate nel manuale di istruzioni differiscono da quelle apposte sul dispositivo, hanno sempre priorità quelle sul dispositivo.
8. Il dispositivo non è adatto a climi tropicali né all'utilizzo a oltre 2000 m sul livello del mare.

**CAUTELA**

Il collegamento di cavi di segnale può causare notevoli interferenze. Accertarsi che i dispositivi collegati sull'uscita siano silenziati quando vengono accoppiati, altrimenti i picchi delle interferenze possono provocare danni.

**ATTENZIONE: ELEVATI LIVELLI SONORI NEI PRODOTTI AUDIO!**

Questo dispositivo è destinato a uso professionale. Di conseguenza, se viene destinato ad un uso commerciale, sarà soggetto alle norme e ai regolamenti dell'Associazione per la prevenzione di infortuni del rispettivo settore professionale. Danni all'udito provocati da un'esposizione prolungata a un livello sonoro elevato: L'utilizzo di questo prodotto può generare elevati livelli di pressione acustica (SPL) che possono provocare danni all'udito. Evitare l'esposizione a livelli di volume elevati.

**NOTE SUI DISPOSITIVI DA INSTALLARE IN INTERNI**

1. I dispositivi da installazione sono progettati per l'uso continuato.
2. I dispositivi per l'installazione in esterni sono in gran parte resistenti alle intemperie. A seconda del tipo di struttura, tuttavia, le guarnizioni utilizzate sono in materiali soggetti a usura. Devono essere quindi controllate regolarmente e sostituite all'occorrenza.
3. Verificare periodicamente che le parti e i collegamenti dell'alloggiamento siano in buone condizioni.
4. Anche le superfici e le parti in plastica dei dispositivi da installazione sono soggetti a invecchiamento, ad esempio a causa dei raggi UV e delle variazioni di temperatura, ma solitamente senza pregiudicare il funzionamento.
5. Eventuali danni al rivestimento delle superfici possono compromettere la protezione anticorrosione del dispositivo. Un rivestimento superficiale danneggiato (ad es. da graffi) deve essere prontamente ripristinato con misure adeguate.
6. È possibile che il movimento dei collegamenti a vite sia compromesso, per esempio da ossidazione o impurità. Se necessario, adottare le misure appropriate per risolvere il problema.
7. Salvo quando esplicitamente indicato in altro modo sul dispositivo o nei dati tecnici, l'altezza di montaggio deve essere inferiore a 5 m.

DOTAZIONE

Estrarre il prodotto dalla confezione e rimuovere tutto il materiale di imballaggio. Verificare la completezza e l'integrità della confezione e informare il proprio distributore di fiducia immediatamente dopo l'acquisto in caso di consegna incompleta o danneggiata.

In dotazione con il prodotto viene fornito:

- 1 proiettore sonoro CE P10 con staffa di montaggio
- Manuale d'istruzioni

INTRODUZIONE

Il CE P10 è un altoparlante realizzato in ABS, è provvisto di griglia in alluminio ed è ideale per coprire spazi pubblici e aree di circolazione. Ha una resistenza alle intemperie totale, di classe IP55. L'elevata resistenza agli urti lo rende idoneo all'impiego anche negli ambienti esterni difficili. È corredato con una staffa incorporata che ne facilita il montaggio. Grazie alla potenza nominale di 10 W e a una risposta in frequenza compresa tra 150 Hz e 15 kHz, assicura un'agevole proiezione del suono.

CARATTERISTICHE

- Potenza nominale 10 W
- 100 V Impostazioni di potenza: 2,5 / 5 / 10 W
- Classe di resistenza alle intemperie IP55
- Staffa di montaggio integrata

MONTAGGIO

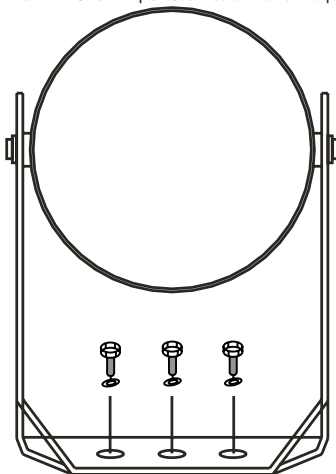


PERICOLO: Il montaggio sopratesta richiede una vasta esperienza, che include il calcolo dei valori limite per il carico di lavoro, il materiale di installazione utilizzato e la verifica periodica della sicurezza di tutti i materiali di installazione e dei fari. In assenza di queste qualifiche, non cercare di effettuare da soli l'installazione, ma ricorrere all'aiuto di imprese professionali. Sussiste il rischio che dispositivi non montati o fissati correttamente si allentino e cadano. Ciò può causare lesioni gravi o mortali alle persone.



Prima dell'installazione, verificare che l'impianto di amplificazione a cui l'altoparlante deve essere collegato sia spento e che i cavi di collegamento siano senza tensione!

- 1 Montare l'altoparlante in posizione adeguata su una superficie con sufficiente capacità di carico. Installazione all'aperto: si assicuri che l'acqua non possa posarsi sulla membrana del diffusore.



- 2 Collegare la derivazione desiderata del trasformatore del cavo all'alimentazione del segnale (v. tabelle).

CE P10	
da 2,5 W a 100 V	verde
da 5 W a 100 V	giallo
da 10 W a 100 V	rosso
COM	blu

CURA, MANUTENZIONE E RIPARAZIONE

Per garantire il corretto funzionamento del dispositivo nel tempo, è necessario sottoporlo a una pulizia regolare e, se necessario, a manutenzione. La necessità di cura e manutenzione dipende dall'intensità e dall'ambiente di utilizzo.

In generale si consiglia di effettuare un'ispezione visiva prima di ogni utilizzo. Si consiglia inoltre di eseguire tutti gli interventi di pulizia applicabili menzionati di seguito ogni 500 ore di funzionamento o, in caso di minore intensità di utilizzo, al più tardi dopo un anno. I difetti causati da cura insufficiente possono comportare la limitazione dei diritti di garanzia.

CURA (EFFETTUABILE DALL'UTENTE)



AVVERTENZA! Prima di qualsiasi intervento di cura, staccare l'alimentazione elettrica e, se possibile, tutti i collegamenti del dispositivo.



NOTA BENE: una cura inadeguata può danneggiare il dispositivo, causando anche danni irreparabili.

1. Le superfici dell'alloggiamento devono essere pulite con un panno umido pulito. Aver cura che all'interno del dispositivo non penetri umidità.
2. Le aperture di ingresso e uscita dell'aria devono essere pulite regolarmente, rimuovendo polvere e sporcizia. Se si utilizza aria compressa, aver cura di non danneggiare il dispositivo (in questo caso, ad esempio, le ventole devono essere bloccate).
3. I cavi e i contatti elettrici devono essere puliti regolarmente, rimuovendo polvere e sporcizia.
4. In generale per la pulizia non devono essere utilizzati detersivi o sostanze con effetto abrasivo; in caso contrario la qualità della superficie potrebbe essere compromessa. In particolare i solventi, come l'alcol, possono compromettere l'azione delle guarnizioni dell'alloggiamento.
5. In generale, i dispositivi devono essere conservati in un luogo asciutto e protetti da polvere e sporcizia.

MANUTENZIONE E RIPARAZIONE (SOLO DA PARTE DI PERSONALE SPECIALIZZATO)



NOTA BENE: il dispositivo non contiene assiami che richiedono manutenzione da parte dell'utente.

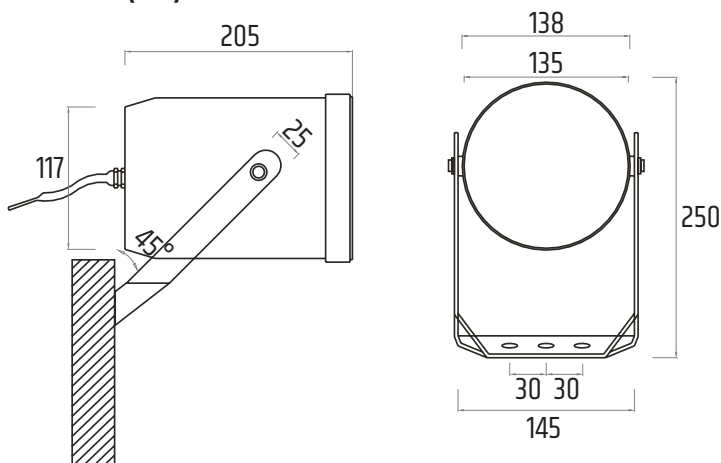


NOTA! Gli interventi di manutenzione e riparazione devono essere eseguiti solo da personale specializzato autorizzato dal produttore. In caso di dubbi rivolgersi al produttore.



NOTA BENE: gli interventi di manutenzione non eseguiti correttamente possono invalidare la garanzia.

DIMENSIONI (mm)



DATI TECNICI

Codice articolo	LDCEP10
Tipo di prodotto	Altoparlante da installazione
Tipo	Altoparlante da soffitto e a parete
Colore	Bianco
Dimensioni woofer	5"
Ingresso da 100 V	2,5 W, 5 W, 10 W
Risposta in frequenza	150 Hz - 15 kHz
Sensibilità 1 W/1 m	89 ± 3 dB
Potenza	10 W
Classe di protezione IP	55
Temperatura ambiente	Da -25 °C a +55 °C
Materiale	ABS, griglia anteriore in alluminio
Dimensioni (H x L x P)	138 mm x 138 mm x 205 mm
Peso	1,6 kg

SPIEGAZIONI SULLA CLASSE DI PROTEZIONE IP

1. Una classe di protezione IP indica solo la protezione contro oggetti solidi e acqua. Non descrive una generale resistenza agli agenti atmosferici, come ad esempio la protezione da raggi UV, influssi della temperatura ecc.

2. Il primo indice connota la protezione contro polvere, oggetti solidi e contatto:

IP2X	Protetto contro la penetrazione di corpi solidi di diametro $\geq 12,5$ mm
IP3X	Protetto contro la penetrazione di corpi solidi di diametro $\geq 2,5$ mm
IP4X	Protetto contro la penetrazione di corpi solidi di diametro $\geq 1,0$ mm
IP5X	Protezione contro la polvere in quantità dannosa e protezione completa contro il contatto
IP6X	Sono a tenuta di polvere e completamente protetti dal contatto

3. Il secondo indice connota la protezione dall'acqua:

IPX0	Nessuna protezione
IPX1	Protezione contro la caduta verticale di gocce d'acqua
IPX2	Protezione contro la caduta di gocce d'acqua quando il dispositivo è inclinato fino a 15°
IPX3	Protezione contro la caduta di spruzzi d'acqua fino a 60° rispetto alla verticale
IPX4	Protezione contro gli spruzzi d'acqua su tutti i lati
IPX5	Protezione contro i getti d'acqua (ugello) da qualsiasi angolazione
IPX6	Protezione contro getti d'acqua potenti
IPX7	Protezione da immersione temporanea

4. Per ottenere la classe di protezione indicata, inoltre, sono necessarie misure specifiche per il dispositivo, come coperture e cappucci (ad es. coperchi di protezione sugli attacchi non utilizzati).



La classe di protezione IP del prodotto è indicata nei dati tecnici e stampigliata sul dispositivo.

CURA, MANUTENZIONE E RIPARAZIONE

Per garantire il corretto funzionamento del dispositivo nel tempo, è necessario sottoporlo a una pulizia regolare e, se necessario, a manutenzione. La necessità di cura e manutenzione dipende dall'intensità e dall'ambiente di utilizzo.

In generale si consiglia di effettuare un'ispezione visiva prima di ogni utilizzo. Si consiglia inoltre di eseguire tutti gli interventi di pulizia applicabili menzionati di seguito ogni 500 ore di funzionamento o, in caso di minore intensità di utilizzo, al più tardi dopo un anno. I difetti causati da cura insufficiente possono comportare la limitazione dei diritti di garanzia.

CURA (EFFETTUABILE DALL'UTENTE)



AVVERTENZA! Prima di qualsiasi intervento di cura, staccare l'alimentazione elettrica e, se possibile, tutti i collegamenti del dispositivo.



NOTA BENE: una cura inadeguata può danneggiare il dispositivo, causando anche danni irreparabili.

1. Le superfici dell'alloggiamento devono essere pulite con un panno umido pulito. Aver cura che all'interno del dispositivo non penetri umidità.
2. Le aperture di ingresso e uscita dell'aria devono essere pulite regolarmente, rimuovendo polvere e sporcizia. Se si utilizza aria compressa, aver cura di non danneggiare il dispositivo (in questo caso, ad esempio, le ventole devono essere bloccate).
3. I cavi e i contatti elettrici devono essere puliti regolarmente, rimuovendo polvere e sporcizia.
4. In generale per la pulizia non devono essere utilizzati detersivi o sostanze con effetto abrasivo; in caso contrario la qualità della superficie potrebbe essere compromessa. In particolare i solventi, come l'alcol, possono compromettere l'azione delle guarnizioni dell'alloggiamento.
5. In generale, i dispositivi devono essere conservati in un luogo asciutto e protetti da polvere e sporcizia.

MANUTENZIONE E RIPARAZIONE (SOLO DA PARTE DI PERSONALE SPECIALIZZATO)



PERICOLO! Il dispositivo contiene componenti sotto tensione. Anche dopo la disconnessione dalla rete elettrica, nel dispositivo può permanere tensione residua, dovuta ad esempio a condensatori carichi.



NOTA BENE: il dispositivo non contiene assiami che richiedono manutenzione da parte dell'utente.



NOTA! Gli interventi di manutenzione e riparazione devono essere eseguiti solo da personale specializzato autorizzato dal produttore. In caso di dubbi rivolgersi al produttore.



NOTA BENE: gli interventi di manutenzione non eseguiti correttamente possono invalidare la garanzia.

SMALTIMENTO



Imballaggio

1. Gli imballaggi possono essere riciclati attraverso i consueti canali di smaltimento.
2. Separare l'imballaggio in conformità alle leggi sullo smaltimento e ai regolamenti sui materiali riciclabili in vigore nel proprio Paese.



Dispositivo

1. Questo dispositivo è soggetto alla Direttiva europea sui rifiuti di apparecchiature elettriche ed elettroniche nella versione in vigore. (Direttiva RAEE sui rifiuti di apparecchiature elettriche ed elettroniche). I dispositivi e le batterie usati non devono essere smaltiti con i rifiuti domestici. Il dispositivo o le batterie usati devono essere smaltiti tramite un'azienda di smaltimento autorizzata o presso un centro di smaltimento comunale. Rispettare le normative in vigore nel proprio Paese.
2. Rispettare le leggi sullo smaltimento in vigore nel Paese di installazione.
3. I clienti privati possono richiedere informazioni sulle opzioni di smaltimento ecosostenibile al rivenditore presso il quale è stato acquistato il prodotto o presso le autorità regionali competenti.

DICHIARAZIONI DEL PRODUTTORE

GARANZIA DEL PRODUTTORE E LIMITAZIONE DI RESPONSABILITÀ

Adam Hall GmbH, Adam-Hall-Str. 1, D-61267 Neu Anspach / E-Mail Info@adamhall.com / +49 (0)6081 / 9419-0.

Le nostre attuali condizioni di garanzia e la limitazione di responsabilità sono disponibili all'indirizzo:

https://cdn-shop.adamhall.com/media/pdf/MANUFACTURERS-DECLARATIONS_LD_SYSTEMS.pdf.

In caso di assistenza, contattare il proprio partner commerciale.

CONFORMITÀ CE

Adam Hall GmbH dichiara che questo prodotto è conforme alla seguente direttiva (se applicabile):

R&TTE (1999/5/CE) o RED (2014/53/UE) a partire da giugno 2017

Direttiva Bassa Tensione (2014/35/UE)

Direttiva EMV (2014/30/UE)

RoHS (2011/65/UE)

La dichiarazione di conformità completa è disponibile sul sito www.adamhall.com.

Inoltre, è possibile richiederla all'indirizzo info@adamhall.com.

DICHIARAZIONE DI CONFORMITÀ EU

Le dichiarazioni di conformità per i prodotti coperti dalle direttive LVD, EMC e RoHS

possono essere richieste a info@adamhall.com.

Le dichiarazioni di conformità per i prodotti soggetti alla Direttiva RED, possono essere richieste all'indirizzo www.adamhall.com/compliance/.

I refusi e gli errori, così come le modifiche tecniche o di altro tipo sono riservati!

