

USER'S MANUAL
BEDIENUNGSANLEITUNG
MANUEL D'UTILISATION
MANUAL DE USUARIO
INSTRUKCJA OBSŁUGI
MANUALE D'USO

LDsystems 

STINGER[®] G3 INSTALLATION KITS

CONTENTS / INHALTSVERZEICHNIS / CONTENU / CONTENIDO / TREŚĆ / CONTENUTO

ENGLISH

PREVENTIVE MEASURES
OVERVIEW
TECHNICAL DATA
MANUFACTURER'S DECLARATIONS

DEUTSCH

SICHERHEITSHINWEISE
ÜBERSICHT
TECHNISCHE DATEN
HERSTELLERERKLÄRUNGEN

FRANCAIS

MESURES PRÉVENTIVES
VUE D'ENSEMBLE
CARACTÉRISTIQUES TECHNIQUES
DÉCLARATIONS DU FABRICANT

3-4
5-16
17-18
18

19-20
21-32
33-34
34

35-36
37-47
47-49
49

ESPAÑOL

MEDIDAS DE SEGURIDAD
VISTA GENERAL
DATOS TÉCNICOS
DECLARACIONES DEL FABRICANTE

POLSKI

ŚRODKI OSTROŻNOŚCI
PRZEGLĄD
DANE TECHNICZNE
OŚWIADCZENIA PRODUCENTA

ITALIANO

MISURE PRECAUZIONALI
PANORAMICA
DATI TECNICI
DICHIARAZIONI DEL PRODUTTORE

50-51
52-63
64-65
66

66-67
68-79
80-81
81

82-83
84-95
96-97
97

YOU'VE MADE THE RIGHT CHOICE!

We have designed this product to operate reliably over many years. LD Systems stands for this with its name and many years of experience as a manufacturer of high-quality audio products. Please read this User's Manual carefully, so that you can begin making optimum use of your LD Systems product quickly.

You can find more information about **LD-SYSTEMS** at our Internet site WWW.LD-SYSTEMS.COM

PREVENTIVE MEASURES

1. Please read these instructions carefully.
2. Keep all information and instructions in a safe place.
3. Follow the instructions.
4. Observe all safety warnings. Never remove safety warnings or other information from the equipment.
5. Use the equipment only in the intended manner and for the intended purpose.
6. Use only sufficiently stable and compatible stands and/or mounts (for fixed installations). Make certain that wall mounts are properly installed and secured. Make certain that the equipment is installed securely and cannot fall down.
7. During installation, observe the applicable safety regulations for your country.
8. Never install and operate the equipment near radiators, heat registers, ovens or other sources of heat. Make certain that the equipment is always installed so that is cooled sufficiently and cannot overheat.
9. Never place sources of ignition, e.g., burning candles, on the equipment.
10. Ventilation slits must not be blocked.
11. Keep a minimum distance of 20 cm around and above the device.
12. Do not use this equipment in the immediate vicinity of water (does not apply to special outdoor equipment - in this case, observe the special instructions noted below. Do not expose this equipment to flammable materials, fluids or gases. Avoid direct sunlight!
13. Make certain that dripping or splashed water cannot enter the equipment. Do not place containers filled with liquids, such as vases or drinking vessels, on the equipment.
14. Make certain that objects cannot fall into the device.
15. Use this equipment only with the accessories recommended and intended by the manufacturer.
16. Do not open or modify this equipment.
17. After connecting the equipment, check all cables in order to prevent damage or accidents, e.g., due to tripping hazards.
18. During transport, make certain that the equipment cannot fall down and possibly cause property damage and personal injuries.
19. If your equipment is no longer functioning properly, if fluids or objects have gotten inside the equipment or if it has been damaged in another way, switch it off immediately and unplug it from the mains outlet (if it is a powered device). This equipment may only be repaired by authorized, qualified personnel.
20. Clean the equipment using a dry cloth.
21. Comply with all applicable disposal laws in your country. During disposal of packaging, please separate plastic and paper/cardboard.
22. Plastic bags must be kept out of reach of children.
23. Please note that changes or modifications not expressly approved by the party responsible for compliance could void the user's authority to operate the equipment.

FOR EQUIPMENT THAT CONNECTS TO THE POWER MAINS

24. CAUTION: If the power cord of the device is equipped with an earthing contact, then it must be connected to an outlet with a protective ground. Never deactivate the protective ground of a power cord.
25. If the equipment has been exposed to strong fluctuations in temperature (for example, after transport), do not switch it on immediately. Moisture and condensation could damage the equipment. Do not switch on the equipment until it has reached room temperature.
26. Before connecting the equipment to the power outlet, first verify that the mains voltage and frequency match the values specified on the equipment. If the equipment has a voltage selection switch, connect the equipment to the power outlet only if the equipment values and the mains power values match. If the included power cord or power adapter does not fit in your wall outlet, contact your electrician.
27. Do not step on the power cord. Make certain that the power cable does not become kinked, especially at the mains outlet and/or power adapter and the equipment connector.
28. When connecting the equipment, make certain that the power cord or power adapter is always freely accessible. Always disconnect the equipment from the power supply if the equipment is not in use or if you want to clean the equipment. Always unplug the power cord and power adapter from the power outlet at the plug or adapter and not by pulling on the cord. Never touch the power cord and power adapter with wet hands.
29. Whenever possible, avoid switching the equipment on and off in quick succession because otherwise this can shorten the useful life of the equipment.
30. IMPORTANT INFORMATION: Replace fuses only with fuses of the same type and rating. If a fuse blows repeatedly, please contact an authorised service centre.
31. To disconnect the equipment from the power mains completely, unplug the power cord or power adapter from the power outlet.
32. If your device is equipped with a Volex power connector, the mating Volex equipment connector must be unlocked before it can be removed. However, this also means that the equipment can slide and fall down if the power cable is pulled, which can lead to personal injuries and/or other damage. For this reason, always be careful when laying cables.
33. Unplug the power cord and power adapter from the power outlet if there is a risk of a lightning strike or before extended periods of disuse.

**CAUTION:**

To reduce the risk of electric shock, do not remove cover (or back). There are no user serviceable parts inside. Maintenance and repairs should be exclusively carried out by qualified service personnel.



The warning triangle with lightning symbol indicates dangerous uninsulated voltage inside the unit, which may cause an electrical shock.



The warning triangle with exclamation mark indicates important operating and maintenance instructions.



Warning! This symbol indicates a hot surface. Certain parts of the housing can become hot during operation. After use, wait for a cool-down period of at least 10 minutes before handling or transporting the device.



Warning! This device is designed for use below 2000 metres in altitude.



Warning! This product is not intended for use in tropical climates.

CAUTION! HIGH VOLUMES IN AUDIO PRODUCTS!

This device is meant for professional use. Therefore, commercial use of this equipment is subject to the respectively applicable national accident prevention rules and regulations. As a manufacturer, Adam Hall is obligated to notify you formally about the existence of potential health risks. Hearing damage due to high volume and prolonged exposure: When in use, this product is capable of producing high sound-pressure levels (SPL) that can lead to irreversible hearing damage in performers, employees, and audience members. For this reason, avoid prolonged exposure to volumes in excess of 90 dB.

NOTE: This equipment has been tested and found to comply with the limits for a Class B digital device, pursuant to Part 15 of the FCC Rules. These limits are designed to provide reasonable protection against harmful interference in a residential installation. This equipment generates, uses and can radiate radio frequency energy and, if not installed and used in accordance with the instructions, may cause harmful interference to radio communications. However, there is no guarantee that interference will not occur in a particular installation. If this equipment does cause harmful interference to radio or television reception, which can be determined by turning the equipment off and on, the user is encouraged to try to correct the interference by one or more of the following measures:

- Reorient or relocate the receiving antenna.
- Increase the separation between the equipment and receiver.
- Connect the equipment into an outlet on a circuit different from that to which the receiver is connected.
- Consult the dealer or an experienced radio/TV technician for help.

Important: Before any assembly, check that all installation kit components are complete, undamaged and work correctly (split pins, screws, bolts, nuts, locking pins, steel hooks, retaining sockets and threads in speakers, etc.). Should any installation kit component be damaged, missing or not function properly, the installation kit should not be used.

An M8 thread is situated on the rear side of the speaker for the installation of a secondary safety component.

OVERVIEW

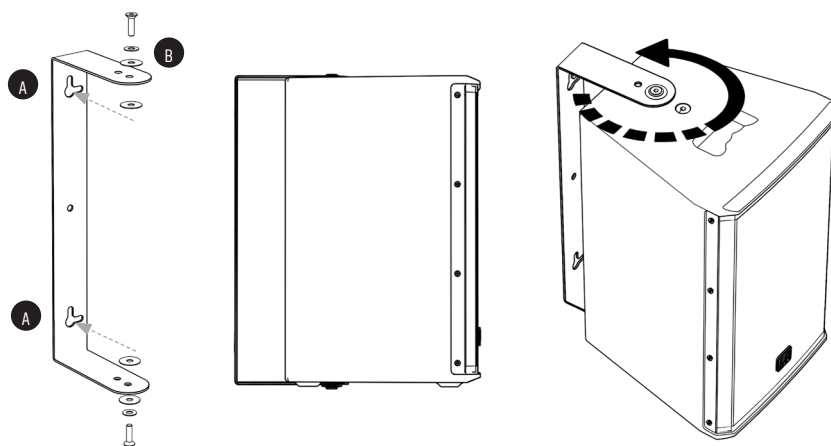
Product number	Suitable for		Installation	Type
LDEB82G3WMB	LDEB82G3	LDEB82AG3	Wall & ceiling	
LDEB102G3WMB	LDEB102G3	LDEB102AG3		
LDEB282G3WMB	LDEB282G3	LDEB282AG3		
LDEBG3WMB	LDEB122G3	LDEB122AG3	Wall	
	LDEB152G3	LDEB152AG3		
LDEB82G3WMB1	LDEB82G3		Wall	
LDEB82AG3WMB1	LDEB82AG3		Wall	 & 
GSPWMB530B	LDEB282G3		Wall	
LDEB282AG3WMB1	LDEB282AG3		Wall	 & 
LDEB102G3WMB1	LDEB102G3	LDEB102AG3	Wall	
LDEBG3WMB1	LDEB122G3	LDEB122AG3	Wall	
	LDEB152G3	LDEB152AG3		
LDEBG3TMB	LDEB122G3	LDEB122AG3	Truss	
	LDEB152G3	LDEB152AG3		
LDEBG3SCP	LDEB82G3	LDEB82AG3	Truss	
	LDEB102G3	LDEB102AG3		

LDEB82G3WMB (suitable for LDEB82G3, LDEB82AG3)

LDEB102G3WMB (suitable for LDEB102G3, LDEB102AG3)

LDEB282G3WMB (suitable for LDEB282G3, LDEB282AG3)

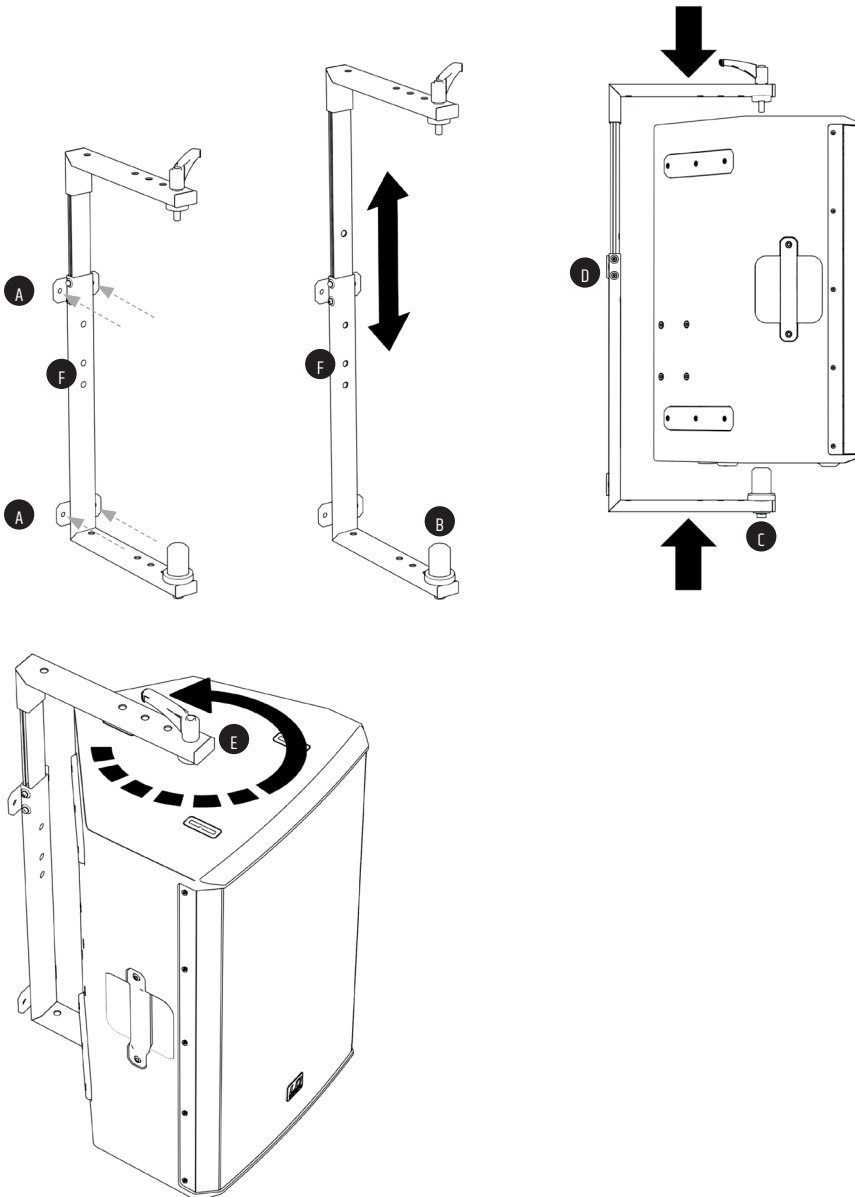
Screw the U-bracket of the desired Stinger G3 speaker in a suitable position to a load-bearing wall or ceiling (A). Use suitable screws and plugs etc. to ensure secure mounting. Remove the M8 screws on the top and bottom of the speaker and lift the speaker into the bracket so that the thread locations in the speaker and the holes in the bracket are aligned. Use the supplied M8 screws and washers as shown in the figure below (B, place rubber washers between the bracket and the speaker), adjust dispersion angle as desired and tighten the screws with a suitable tool (C).



LDEBG3WMB

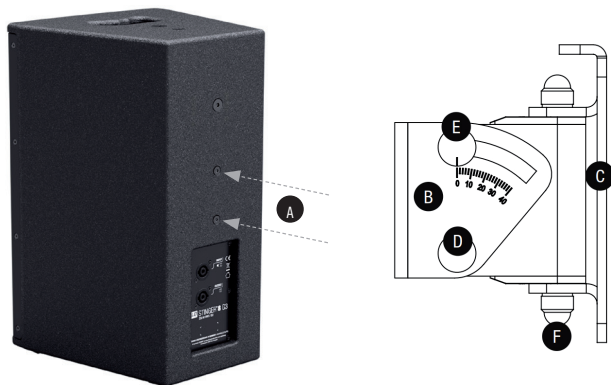
(suitable for LDEB122G3, LDEB122AG3, LDEB152G3, LDEB152AG3)

Screw the adjustable U-bracket (in a suitable position) to a load-bearing wall (A). Use suitable screws and plugs etc. to ensure secure mounting. The 35mm mounting stud can be installed on the bracket at four different distances from the wall. Select the appropriate position for the speaker and screw it tightly to the bracket (B, position the supplied rubber ring on the mounting stud). Remove the M10 screw on the top of the loudspeaker and lift the speaker into the bracket so that the 35mm mounting stud sits in the 0° flange of the speaker (C). Now set the adjustable side of the bracket to the appropriate size for the speaker and secure it with the two screws on the side of the bracket (D). Using the supplied M10 T-screw in the correct position directly opposite the mounting stud, position the speaker at the desired angle in the bracket (E, place supplied rubber washer between bracket and speaker). For permanent installation an M10 Allen screw is supplied).

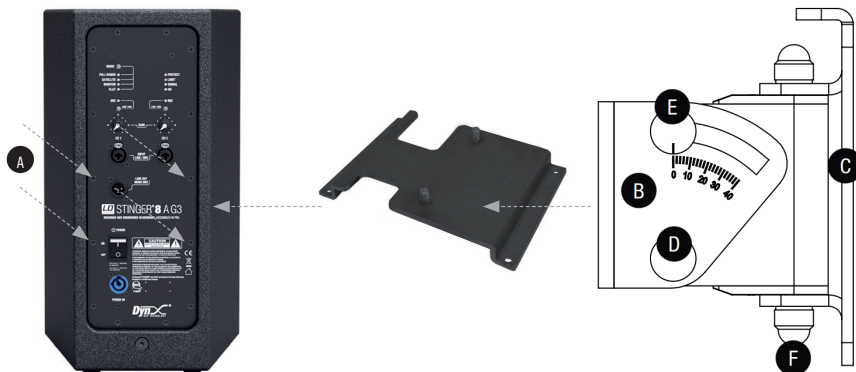


LDEB82G3WMB1 (suitable for LDEB82G3)

1. Remove the two M6 screws A on the back of the speaker.
2. Slightly loosen bolt E on the wall bracket (do not remove), loosen and remove bolt D from the tilt & swivel arm, remove it and lift the U-bracket B from its mounting. Attach the U-bracket B to the rear of the speaker with the supplied screws.
3. Using screws, attach mounting plate C vertically in a suitable position to a solid wall with its flat side and safety eyelet facing upwards (4 screws). Use suitable screws and plugs etc. to ensure secure mounting.
4. Now slide the speaker with the attached U-bracket B into the bracket on the wall, reinstall bolt D into its designated position and secure it with the previously removed nut.
5. The speaker can be tilted vertically by slightly loosening nut E, adjusting to the desired angle and then re-tightening the nut. The speaker can be adjusted horizontally by loosening nut F (remove plastic cap beforehand), adjusting the angle as required, and then re-tightening the nut.

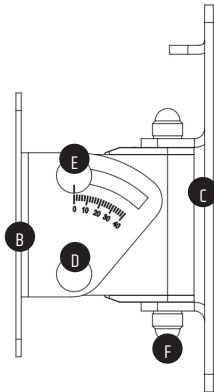
**LDEB82AG3WMB1** (suitable for LDEB82AG3)

1. Remove four M4 screws A on the back of the speaker in the positions for fastening the adapter plate. Ensure that the cutouts for the LINE OUT jack and POWER switch are freely accessible.
2. Slightly loosen bolt E on the wall bracket (do not remove), loosen and remove bolt D from the tilt & swivel arm, remove it and lift the U-bracket B from its mounting. Attach the U-bracket B to the rear of the adapter plate with the supplied nuts.
3. Using screws, attach mounting plate C vertically in a suitable position to a solid wall with its flat side and safety eyelet facing upwards (4 screws). Use suitable screws and plugs etc. to ensure secure mounting.
4. Now slide the speaker with the attached U-bracket B into the bracket on the wall, reinstall bolt D into its designated position and secure it with the previously removed nut.
5. The speaker can be tilted vertically by slightly loosening nut E, adjusting to the desired angle and then re-tightening the nut. The speaker can be adjusted horizontally by loosening nut F (remove plastic cap beforehand), adjusting the angle as required, and then re-tightening the nut.



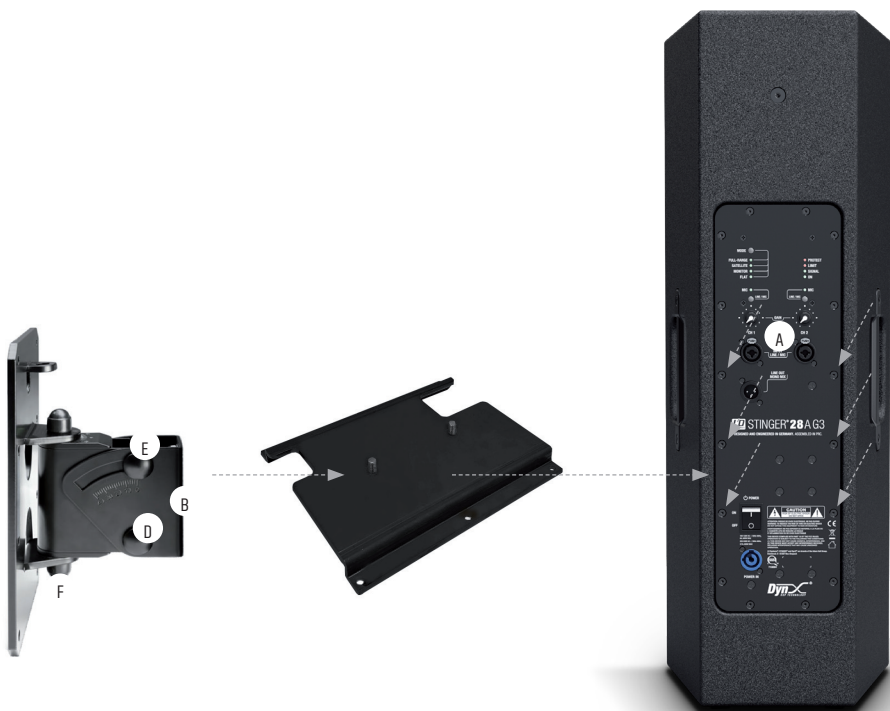
GSPWMBS30B (suitable for LDEB282G3)

1. Remove the four M6 screws A on the back of the speaker.
2. Slightly loosen bolt E of the wall bracket (do not remove), loosen and remove bolt D from the tilt & swivel arm, remove and lift the U-bracket with mounting plate B from its mounting. Attach the U-bracket with mounting plate B to the rear of the speaker with the supplied screws.
3. Using screws, attach mounting plate C vertically in a suitable position to a solid wall with its flat side and safety eyelet facing upwards (8 screws). Use suitable screws and plugs etc. to ensure secure mounting.
4. Now slide the speaker with the attached U-bracket with mounting plate B into the bracket on the wall, reinstall bolt D into its designated position and secure it with the previously removed nut.
5. The speaker can be tilted vertically by slightly loosening nut E, adjusting to the desired angle and then re-tightening the nut. The speaker can be adjusted horizontally by loosening nut F (remove plastic cap beforehand), adjusting the angle as required, and then re-tightening the nut.



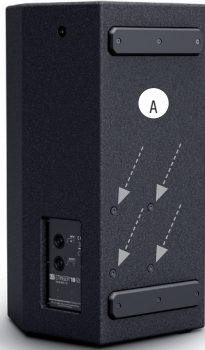
LDEB282AG3WMB1 (suitable for LDEB282AG3)

1. Remove six M4 screws A on the back of the speaker in the positions for fastening the adapter plate. Ensure that the cutouts for the LINE OUT jack and POWER switch are correctly positioned. Attach the adapter plate to the speaker with the supplied M4 screws so that the LINE OUT jack and POWER switch are freely accessible.
2. Slightly loosen bolt E on the wall bracket (do not remove), loosen and remove bolt D from the tilt & swivel arm, remove it and lift the U-bracket B from its mounting. Attach the U-bracket B to the rear of the adapter plate with the supplied nuts.
3. Using screws, attach mounting plate C vertically in a suitable position to a solid wall with its flat side and safety eyelet facing upwards (8 screws). Use suitable screws and plugs etc. to ensure secure mounting.
4. Now slide the speaker with the attached U-bracket B into the bracket on the wall, reinstall bolt D into its designated position and secure it with the previously removed nut.
5. The speaker can be tilted vertically by slightly loosening nut E, adjusting to the desired angle and then re-tightening the nut. The speaker can be adjusted horizontally by loosening nut F (remove plastic cap beforehand), adjusting the angle as required, and then re-tightening the nut.



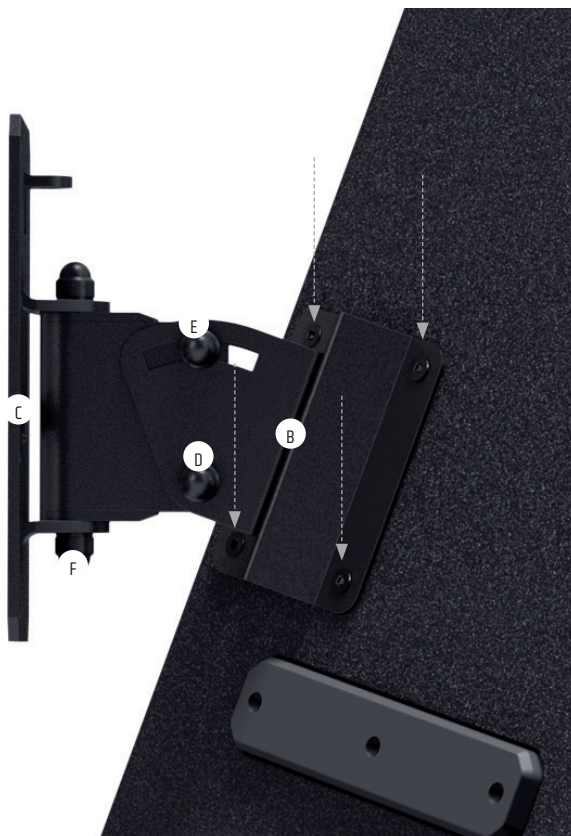
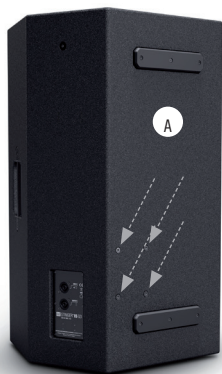
LDEB102G3WMB1 (suitable for LDEB102G3, LDEB102AG3)

1. Remove the four M6 screws A on the back of the speaker.
2. Slightly loosen bolt E of the wall bracket (do not remove), loosen and remove bolt D from the tilt & swivel arm, remove and lift the U-bracket with mounting plate B from its mounting. Attach the U-bracket with mounting plate B to the rear of the speaker with the supplied screws.
3. Using screws, attach mounting plate C vertically in a suitable position to a solid wall with its flat side and safety eyelet facing upwards (4 screws). Use suitable screws and plugs etc. to ensure secure mounting.
4. Now slide the speaker with the attached U-bracket with mounting plate B into the bracket on the wall, reinstall bolt D into its designated position and secure it with the previously removed nut.
5. The speaker can be tilted vertically by slightly loosening nut E, adjusting to the desired angle and then re-tightening the nut. The speaker can be adjusted horizontally by loosening nut F (remove plastic cap beforehand), adjusting the angle as required, and then re-tightening the nut.



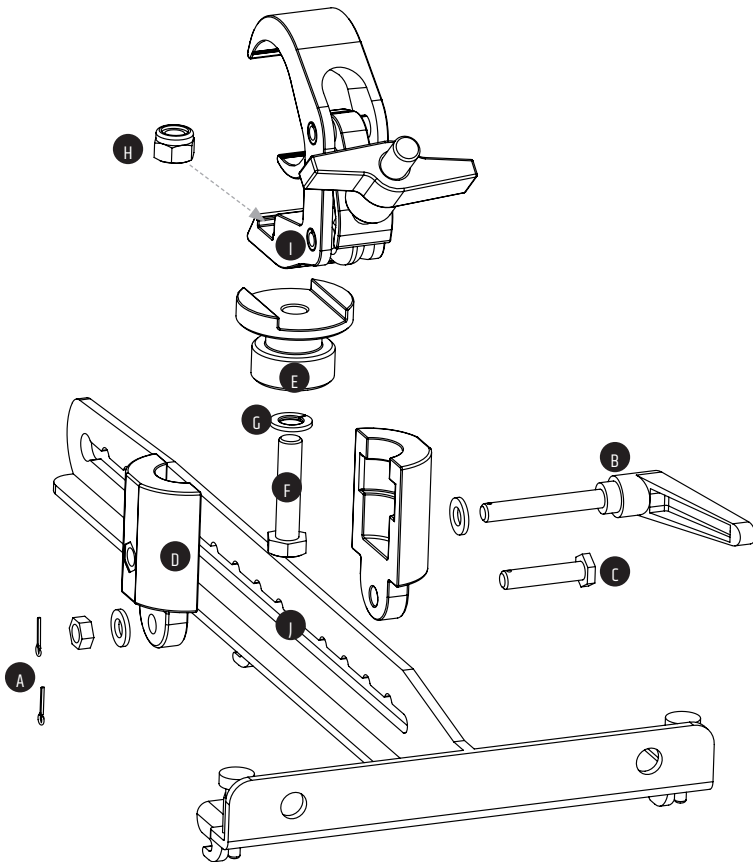
LDEBG3WMB1 (suitable for LDEB122G3, LDEB122AG3, LDEB152G3, LDEB152AG3)

1. Remove the four M6 screws A on the back of the speaker.
2. Slightly loosen bolt E of the wall bracket (do not remove), loosen and remove bolt D from the tilt & swivel arm, remove and lift the U-bracket with mounting plate B from its mounting. Attach the U-bracket with mounting plate B to the rear of the speaker with the supplied screws.
3. Using screws, attach mounting plate C vertically in a suitable position to a solid wall with its flat side and safety eyelet facing upwards (8 screws). Use suitable screws and plugs etc. to ensure secure mounting.
4. Now slide the speaker with the attached U-bracket with mounting plate B into the bracket on the wall, reinstall bolt D into its designated position and secure it with the previously removed nut.
5. The speaker can be tilted vertically by slightly loosening nut E, adjusting to the desired angle and then re-tightening the nut. The speaker can be adjusted horizontally by loosening nut F (remove plastic cap beforehand), adjusting the angle as required, and then re-tightening the nut.



ASSEMBLY OF THE MOUNTING BRACKET AND TRAVERSE CLAMP

1. Release the safety splint (A) from the two M8 screws (B, C) in the cylindrical pivot/tilt head (D) of the mounting bracket.
2. Unscrew the two screws (B, C) from the pivot/tilt head (D), separate the two cylinder halves and remove the cast piece (E).
3. Now use the parts included - the M10 screw (F), spring washer (G) and self-locking M10 nut (H) - to attach the cast piece (E) firmly to the traverse clamp (I) using a 17 mm socket tool. To do so, place the traverse clamp in the recess of the cast piece and the self-locking nut in the recess of the traverse clamp and then insert the screw with the spring washer through the cast piece into the traverse clamp (see illustration).
4. Now place the cast piece with the traverse clamp into one half of the pivot/tilt head (D) and join the two halves in such a way that the M8 screw (C) can be placed through the appropriate installation hole of the one half, through the support rail (J) of the mounting bracket and through the installation hole of the cylindrical pivot/tilt head. Place the previously removed washer on the screw and finger tighten the M8 nut. Secure the nut using the previously released safety splint (A).
5. Put the M8 washer onto the M8 lever screw (B), taking care to ensure that the M8 nut is correctly placed in the recess of the appropriate cylinder half of the pivot/tilt head. Insert the lever screw through the two cylinder halves and tighten. Secure the screw using a previously released safety splint (A).



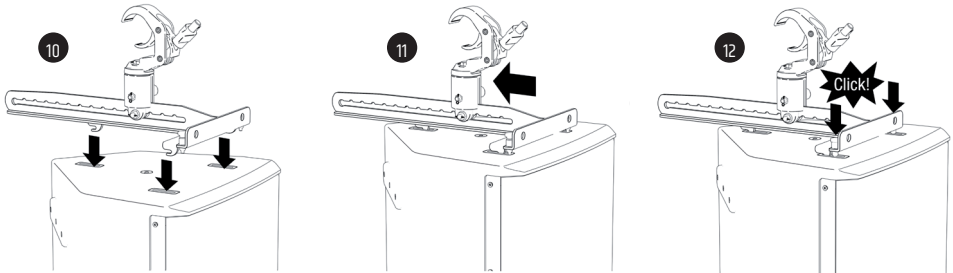
PARTS DESCRIPTION AND INSTALLATION

- 1 Traverse clamp for mounting on a horizontal traverse.
- 2 Wing nut for clamping to a traverse.
- 3 T-screw to lock the horizontal and vertical axes
- 4 Mounting rail with slots to adjust the vertical dispersion of the speaker.
- 5 Retaining pin.
- 6 Rotation mechanism for adjusting the horizontal dispersion of the speaker.
- 7 Three steel hooks which insert into the retaining sockets on the top of the speaker.
- 8 Two spring-loaded locking pins to secure the connection.
- 9 Mounting holes for alternative installation of the speaker with chains.

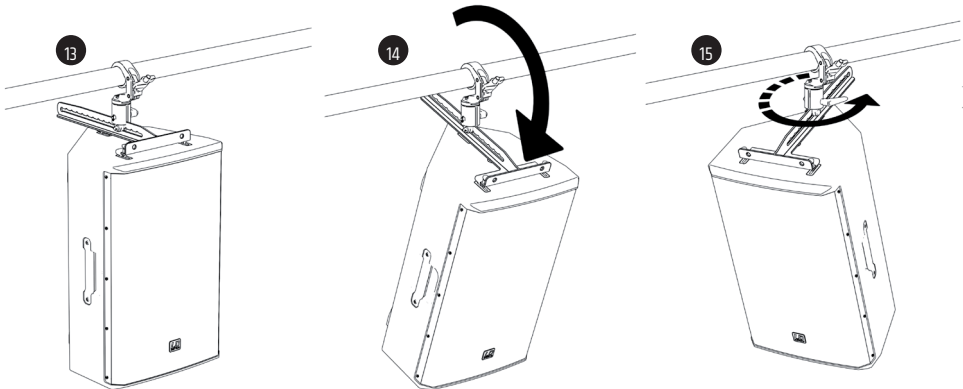
Important: Before any assembly, check that all mounting bracket components are complete, undamaged and work correctly (split pins, screws, bolts, nuts, locking pins, steel hooks, retaining sockets in speakers, etc.). Should any mounting bracket component be damaged, missing or not function properly, the mounting bracket should not be used.



- 10** Insert all three steel hooks of the EasyMount bracket into the corresponding retaining sockets on the speaker.
- 11** Slide the entire bracket towards the back of the speaker.
- 12** When installing the mounting bracket, ensure that the spring-loaded locking pins engage fully. Ensure that locking pins are functioning correctly before every installation. For safety reasons, both locking pins must be pulled upwards simultaneously to release the connection (two-hand release).



- 13** Before attaching the speaker to a traverse, tighten the T-screw on the mounting bracket No. 3. Using traverse clamp No.1, suspend the speaker from a horizontal traverse in a suitable position, and fasten it into place with wing nut No. 2.
- 14** Loosen T-screw No. 3 slightly (approximately 1 turn). To adjust the vertical dispersion of the speaker, lift the speaker slightly and slide the notched mounting rail No.4 into the desired tilt position. Release the speaker to allow the retaining pin No. 5 to engage in the corresponding notch.
- 15** Turn the speaker until the desired horizontal dispersion is achieved and tighten T-screw No. 3.



LDEB83CP (suitable for LDEB82G3, LDEB82AG3, LDEB102G3, LDEB102AG3)

- 1 Traverse clamp with adjustable T-screw and flange for mounting pin (only for mounting on horizontal traverses).
- 2 Mounting pin with M10 thread and wing nut.
- 3 Adapter for attaching the clamp to square-section tubes.



- 4 Remove the M10 screw on the top of the speaker.
- 5 Remove the M10 wing nut from the mounting pin (No. 2) and screw it fully into the M10 thread on the top of the speaker.
- 6 Attach the traverse clamp to a traverse with the adjustable T-screw in a suitable position and ensure a firm grip.
- 7 Loosen the locking screw so far that the flange on the underside of the clamp can accept the mounting pin (do not remove the bolt).
- 8 Push the spring-loaded locking pins on the side of the clamp into the housing so that the flange on the underside of the clamp can accept the mounting pin and push the pin all the way into the flange. Release the pressure from the locking pin and keep hold of the speaker until you are certain that the mounting pin is fully engaged. Rotate the speaker to achieve the desired dispersion and secure the connection by tightening the locking screw No. 7.



TECHNICAL DATA

Model name:	LDEB82G3WMB	LDEB102G3WMB
Type:	PA Loudspeaker Accessories	PA Loudspeaker Accessories
Part:	Wall/Ceiling Mount Bracket	Wall/Ceiling Mount Bracket
Suitable for:	LDEB82G3, LDEB82AG3	LDEB102G3, LDEB102AG3
Material:	Steel	Steel
Surface:	Powder Coated	Powder Coated
Colour:	Black	Black
Max. Load	12 kg	15 kg
Dimensions (W x H x D):	60 x 460 x 170 mm	60 x 535 x 170 mm
Weight:	1.1 kg	1.2 kg

Model name:	LDEB282G3WMB	LDEB93WMB
Type:	PA Loudspeaker Accessories	PA Loudspeaker Accessories
Part:	Wall/Ceiling Mount Bracket	Wall Mount Bracket
Suitable for:	LDEB282G3, LDEB282AG3	LDEB122G3, LDEB122AG3 LDEB152G3, LDEB152AG3
Material:	Steel	Steel
Surface:	Powder Coated	Powder Coated
Colour:	Black	Black
Max. Load	21 kg	28 kg
Dimensions (W x H x D):	60 x 763 x 170 mm	550 x 90 x 308mm
Weight:	1.5 kg	3.5 kg

Model name:	LDEB82G3WMB1	LDEB82AG3WMB1
Type:	PA Loudspeaker Accessories	PA Loudspeaker Accessories
Part:	Wall Mount Bracket	Wall Mount Bracket
Suitable for:	LDEB82G3	LDEB82AG3
Material:	Steel	Steel
Surface:	Powder Coated	Powder Coated
Colour:	Black	Black
Max. Load	20 kg	11 kg
Dimensions (W x H x D):	100 x 157 x 109mm	130 x 157 x 122mm
Weight:	1.2 kg	2.2 kg

Model name:	GSPWMB308	LDEB282AG3WMB1
Type:	PA Loudspeaker Accessories	PA Loudspeaker Accessories
Part:	Wall Mount Bracket	Wall Mount Bracket
Suitable for:	LDEB282G3	LDEB282AG3
Material:	Steel	Steel
Surface:	Powder Coated	Powder Coated
Colour:	Black	Black
Max. Load	30 kg	21 kg
Dimensions (W x H x D):	120 x 220 x 160mm	130 x 220 x 173mm
Weight:	1.8 kg	3.3 kg

ENGLISH

DEUTSCH

FRANÇAIS

ESPAÑOL

POLSKI

ITALIANO

Model name:	LDEB102G3WMB1	LDEBG3WMB1
Type:	PA Loudspeaker Accessories	PA Loudspeaker Accessories
Part:	Wall Mount Bracket	Wall Mount Bracket
Suitable for:	LDEB102G3, LDEB102AG3	LDEB122G3, LDEB122AG3 LDEB152G3, LDEB152AG3
Material:	Steel	Steel
Surface:	Powder Coated	Powder Coated
Colour:	Black	Black
Max. Load	20 kg	30 kg
Dimensions (W x H x D):	100 x 157 x 160mm	120 x 220 x 160mm
Weight:	1.4 kg	1.8 kg

Model name:	LDEBG3TMB	LDEBG3SCP
Type:	PA Loudspeaker Accessories	PA Loudspeaker Accessories
Part:	Truss Mount Bracket	Truss Mount Bracket
Suitable for:	LDEB122G3, LDEB122AG3 LDEB152G3, LDEB152AG3	LDEB82G3, LDEB82AG3 LDEB102G3, LDEB102AG3
Material:	Steel/Zinc	Aluminium/Brass
Surface:	Powder Coated	Powder Coated/Uncoated
Colour:	Black	Black/Brass
Max. Load	28 kg	20 kg
Dimensions (W x H x D):	230 x 240 x 430mm	57 x 136 x 118mm
Weight:	3 kg	0.564 kg

MANUFACTURER'S DECLARATIONS

MANUFACTURER'S WARRANTY & LIMITATIONS OF LIABILITY

You can find our current warranty conditions and limitations of liability at: https://cdn-shop.adamhall.com/media/pdf/MANUFACTURERS-DECLARATIONS_LD_SYSTEMS.pdf To request warranty service for a product, please contact Adam Hall GmbH, Adam-Hall-Str. 1, 61267 Neu Anspach / Email: info@adamhall.com / +49 (0)6081 / 9419-0.



CORRECT DISPOSAL OF THIS PRODUCT

(valid in the European Union and other European countries with a differentiated waste collection system)

This symbol on the product, or on its documents indicates that the device may not be treated as household waste. This is to avoid environmental damage or personal injury due to uncontrolled waste disposal. Please dispose of this product separately from other waste and have it recycled to promote sustainable economic activity. Household users should contact either the retailer where they purchased this product, or their local government office, for details on where and how they can recycle this item in an environmentally friendly manner. Business users should contact their supplier and check the terms and conditions of the purchase contract. This product should not be mixed with other commercial waste for disposal.

FCC STATEMENT

This device complies with Part 15 of the FCC Rules. Operation is subject to the following two conditions:

- (1) This device may not cause harmful interference, and
- (2) This device must accept any interference received, including interference that may cause undesired operation

CE Compliance

Adam Hall GmbH states that this product meets the following guidelines (where applicable):

R&TTE (1999/5/EC) or RED (2014/53/EU) from June 2017

Low voltage directive (2014/35/EU)

EMV directive (2014/30/EU)

RoHS (2011/65/EU)

The complete declaration of conformity can be found at www.adamhall.com.

Furthermore, you may also direct your enquiry to info@adamhall.com.

SIE HABEN DIE RICHTIGE WAHL GETROFFEN!

Dieses Gerät wurde unter hohen Qualitätsanforderungen entwickelt und gefertigt, um viele Jahre einen reibungslosen Betrieb zu gewährleisten. Dafür steht LD Systems mit seinem Namen und der langjährigen Erfahrung als Hersteller hochwertiger Audioprodukte. Bitte lesen Sie diese Bedienungsanleitung sorgfältig, damit Sie Ihr neues Produkt von LD Systems schnell optimal einsetzen können. Mehr Informationen zu **LD SYSTEMS** finden Sie auf unserer Internetseite WWW.LD-SYSTEMS.COM

SICHERHEITSHINWEISE

1. Lesen Sie diese Anleitung bitte sorgfältig durch.
2. Bewahren Sie alle Informationen und Anleitungen an einem sicheren Ort auf.
3. Befolgen Sie die Anweisungen.
4. Beachten Sie alle Warnhinweise. Entfernen Sie keine Sicherheitshinweise oder andere Informationen vom Gerät.
5. Verwenden Sie das Gerät nur in der vorgesehenen Art und Weise.
6. Verwenden Sie ausschließlich stabile und passende Stative bzw. Befestigungen (bei Festinstallationen). Stellen Sie sicher, dass Wandhalterungen ordnungsgemäß installiert und gesichert sind. Stellen Sie sicher, dass das Gerät sicher installiert ist und nicht herunterfallen kann.
7. Beachten Sie bei der Installation die für Ihr Land geltenden Sicherheitsvorschriften.
8. Installieren und betreiben Sie das Gerät nicht in der Nähe von Heizkörpern, Wärmespeichern, Öfen oder sonstigen Wärmequellen. Sorgen Sie dafür, dass das Gerät immer so installiert ist, dass es ausreichend gekühlt wird und nicht überhitzen kann.
9. Platzieren Sie keine Zündquellen wie z.B. brennende Kerzen auf dem Gerät.
10. Lüftungsschlitze dürfen nicht blockiert werden.
11. Halten Sie einen Mindestabstand von 20 cm seitlich und oberhalb des Geräts ein.
12. Betreiben Sie das Gerät nicht in unmittelbarer Nähe von Wasser. Bringen Sie das Gerät nicht mit brennbaren Materialien, Flüssigkeiten oder Gasen in Berührung. Direkte Sonneneinstrahlung vermeiden!
13. Sorgen Sie dafür, dass kein Tropf- oder Spritzwasser in das Gerät eindringen kann. Stellen Sie keine mit Flüssigkeit gefüllten Behältnisse wie Vasen oder Trinkgefäße auf das Gerät.
14. Sorgen Sie dafür, dass keine Gegenstände in das Gerät fallen können.
15. Betreiben Sie das Gerät nur mit dem vom Hersteller empfohlenen und vorgesehenen Zubehör.
16. Öffnen Sie das Gerät nicht und verändern Sie es nicht.
17. Überprüfen Sie nach dem Anschluss des Geräts alle Kabelwege, um Schäden oder Unfälle, z. B. durch Stolperfallen zu vermeiden.
18. Achten Sie beim Transport darauf, dass das Gerät nicht herunterfallen und dabei möglicherweise Sach- und Personenschäden verursachen kann.
19. Wenn Ihr Gerät nicht mehr ordnungsgemäß funktioniert, Flüssigkeiten oder Gegenstände in das Geräteinnere gelangt sind, oder das Gerät anderweitig beschädigt wurde, schalten Sie es sofort aus und trennen es von der Netzsteckdose (sofern es sich um ein aktives Gerät handelt). Dieses Gerät darf nur von autorisiertem Fachpersonal repariert werden.
20. Verwenden Sie zur Reinigung des Geräts ein trockenes Tuch.
21. Beachten Sie alle in Ihrem Land geltenden Entsorgungsgesetze. Trennen Sie bei der Entsorgung der Verpackung bitte Kunststoff und Papier bzw. Kartonagen voneinander.
22. Kunststoffbeutel müssen außer Reichweite von Kindern aufbewahrt werden.
23. Sämtliche vom Benutzer vorgenommenen Änderungen und Modifikationen, denen die für die Einhaltung der Richtlinien verantwortliche Partei nicht ausdrücklich zugestimmt hat, können zum Entzug der Betriebserlaubnis für das Gerät führen.

BEI GERÄTEN MIT NETZANSCHLUSS

24. **ACHTUNG:** Wenn das Netzkabel des Geräts mit einem Schutzkontakt ausgestattet ist, muss es an einer Steckdose mit Schutzleiter angeschlossen werden. Deaktivieren Sie niemals den Schutzleiter eines Netzkabels.
25. Schalten Sie das Gerät nicht sofort ein, wenn es starken Temperaturschwankungen ausgesetzt war (beispielsweise nach dem Transport). Feuchtigkeit und Kondensat könnten das Gerät beschädigen. Schalten Sie das Gerät erst ein, wenn es Zimmertemperatur erreicht hat.
26. Bevor Sie das Gerät an die Steckdose anschließen, prüfen Sie zuerst, ob die Spannung und die Frequenz des Stromnetzes mit den auf dem Gerät angegebenen Werten übereinstimmen. Verfügt das Gerät über einen Spannungswahlschalter, schließen Sie das Gerät nur an die Steckdose an, wenn die Gerätewerte mit den Werten des Stromnetzes übereinstimmen. Wenn das mitgelieferte Netzkabel bzw. der mitgelieferte Netzadapter nicht in Ihre Netzsteckdose passt, wenden Sie sich an Ihren Elektriker.
27. Treten Sie nicht auf das Netzkabel. Sorgen Sie dafür, dass spannungsführende Kabel speziell an der Netzbuchse bzw. am Netzadapter und der Gerätebuchse nicht geknickt werden.
28. Achten Sie bei der Verkabelung des Geräts immer darauf, dass das Netzkabel bzw. der Netzadapter stets frei zugänglich ist. Trennen Sie das Gerät stets von der Stromzuführung, wenn das Gerät nicht benutzt wird, oder Sie das Gerät reinigen möchten. Ziehen Sie Netzkabel und Netzadapter immer am Stecker bzw. am Adapter und nicht am Kabel aus der Steckdose. Berühren Sie Netzkabel und Netzadapter niemals mit nassen Händen.
29. Schalten Sie das Gerät möglichst nicht schnell hintereinander ein und aus, da sonst die Lebensdauer des Geräts beeinträchtigt werden könnte.
30. **WICHTIGER HINWEIS:** Ersetzen Sie Sicherungen ausschließlich durch Sicherungen des gleichen Typs und Wertes. Sollte eine Sicherung wiederholt auslösen, wenden Sie sich bitte an ein autorisiertes Servicezentrum.
31. Um das Gerät vollständig vom Stromnetz zu trennen, entfernen Sie das Netzkabel bzw. den Netzadapter aus der Steckdose.
32. Wenn Ihr Gerät mit einem verriegelbaren Netzanschluss bestückt ist, muss der passende Gerätestecker entsperrt werden, bevor er entfernt werden kann. Das bedeutet aber auch, dass das Gerät durch ein Ziehen am Netzkabel verrutschen und herunterfallen kann, wodurch Personen verletzt werden und/oder andere Schäden auftreten können. Verlegen Sie Ihre Kabel daher immer sorgfältig.
33. Entfernen Sie Netzkabel und Netzadapter aus der Steckdose bei Gefahr eines Blitzschlags oder wenn Sie das Gerät länger nicht verwenden.

**ACHTUNG**

Entfernen Sie niemals die Abdeckung, da sonst das Risiko eines elektrischen Schlages besteht. Im Inneren des Geräts befinden sich keine Teile, die vom Bediener repariert oder gewartet werden können. Lassen Sie Wartung und Reparaturen ausschließlich von qualifiziertem Servicepersonal durchführen.



Das gleichseitige Dreieck mit Blitzsymbol warnt vor nichtisolierten, gefährlichen Spannungen im Geräteinneren, die einen elektrischen Schlag verursachen können.



Das gleichseitige Dreieck mit Ausrufungszeichen kennzeichnet wichtige Bedienungs- und Wartungshinweise.



Warnung! Dieses Symbol kennzeichnet heiße Oberflächen. Während des Betriebs können bestimmte Teile des Gehäuses heiß werden. Berühren oder transportieren Sie das Gerät nach einem Einsatz erst nach einer Abkühlzeit von mindestens 10 Minuten.



Warnung! Dieses Gerät ist für eine Nutzung bis zu einer Höhe von maximal 2000 Metern über dem Meeresspiegel bestimmt.



Warnung! Dieses Gerät ist nicht für den Einsatz in tropischen Klimazonen bestimmt.

ACHTUNG HOHE LAUTSTÄRKEN BEI AUDIOPRODUKTEN!

Dieses Gerät ist für den professionellen Einsatz vorgesehen. Der kommerzielle Betrieb dieses Geräts unterliegt den jeweils gültigen nationalen Vorschriften und Richtlinien zur Unfallverhütung. Als Hersteller ist Adam Hall gesetzlich verpflichtet, Sie ausdrücklich auf mögliche Gesundheitsrisiken hinzuweisen. Gehörschäden durch hohe Lautstärken und Dauerbelastung: Bei der Verwendung dieses Produkts können hohe Schalldruckpegel (SPL) erzeugt werden, die bei Künstlern, Mitarbeitern und Zuschauern zu irreparablen Gehörschäden führen können. Vermeiden Sie länger anhaltende Belastung durch hohe Lautstärken über 90 dB.

Wichtige Hinweise: Überprüfen Sie vor jeder Montage alle Komponenten des Installationszubehörs auf Vollständigkeit, Beschädigungen und korrekte Funktion (Splinte für Schrauben, Schrauben, Muttern, Sperrbolzen, Stahlhaken, Haltebuchsen und Gewinde im Lautsprecher usw.). Sollte eine Komponente des Installationszubehörs beschädigt sein, fehlen oder nicht korrekt funktionieren, darf das Installationszubehör nicht verwendet werden.

Für die Anbringung einer Sekundärsicherung befindet sich ein M8 Gewinde auf der Rückseite des Lautsprechers.

ÜBERSICHT

Artikelnummer	Geegnet für		Montage	Bauart
LDEB82G3WMB	LDEB82G3	LDEB82AG3	Wand & Decke	
LDEB102G3WMB	LDEB102G3	LDEB102AG3		
LDEB282G3WMB	LDEB282G3	LDEB282AG3		
LDEBG3WMB	LDEB122G3	LDEB122AG3	Wand	
	LDEB152G3	LDEB152AG3		
LDEB82G3WMB1	LDEB82G3		Wand	
LDEB82AG3WMB1	LDEB82AG3		Wand	
GSPWMB530B	LDEB282G3		Wand	
LDEB282AG3WMB1	LDEB282AG3		Wand	
LDEB102G3WMB1	LDEB102G3	LDEB102AG3	Wand	
LDEBG3WMB1	LDEB122G3	LDEB122AG3	Wand	
	LDEB152G3	LDEB152AG3		
LDEBG3TMB	LDEB122G3	LDEB122AG3	Traverse	
	LDEB152G3	LDEB152AG3		
LDEBG3SCP	LDEB82G3	LDEB82AG3	Traverse	
	LDEB102G3	LDEB102AG3		

ENGLISH

DEUTSCH

FRANCAIS

ESPAÑOL

POLSKI

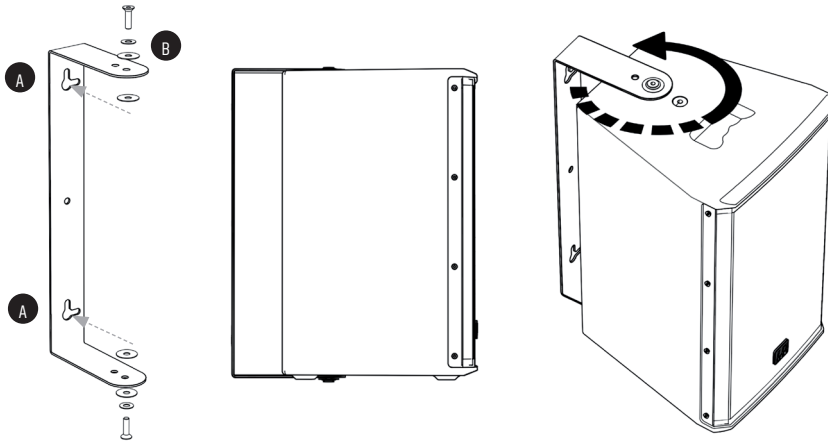
ITALIANO

LDEB82G3WMB (geeignet für LDEB82G3, LDEB82AG3)

LDEB102G3WMB (geeignet für LDEB102G3, LDEB102AG3)

LDEB282G3WMB (geeignet für LDEB282G3, LDEB282AG3)

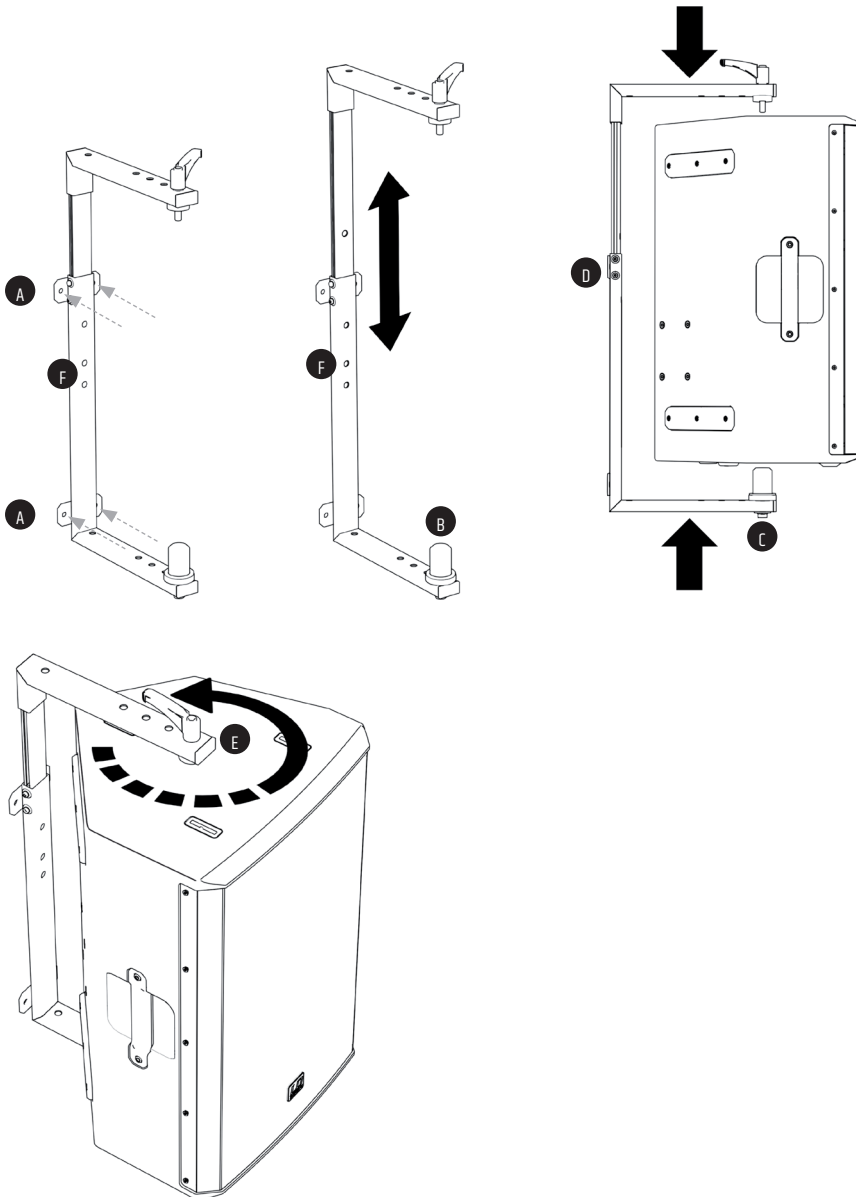
Schrauben Sie den des gewünschten Stinger G3 Lautsprechers entsprechenden U-Bügel an einer geeigneten Stelle an eine tragfähige Wand oder Decke (A). Verwenden Sie dazu geeignete Schrauben und Dübel etc. und achten auf festen Halt. Entfernen Sie nun die M8 Schrauben auf Ober- und Unterseite des Lautsprechers und heben den Lautsprecher in den Bügel, so, dass die Positionen der Gewinde im Lautsprecher und die der Schraublöcher im Bügel übereinstimmen. Verwenden Sie jetzt die beiliegenden M8 Schrauben und U-Scheiben gemäß der Abbildung unten (B, Gummischeiben zwischen Bügel und Lautsprecher positionieren), stellen die gewünschte Abstrahlrichtung ein und ziehen die Schrauben mit einem geeigneten Werkzeug fest (C).



LDEB3WMB

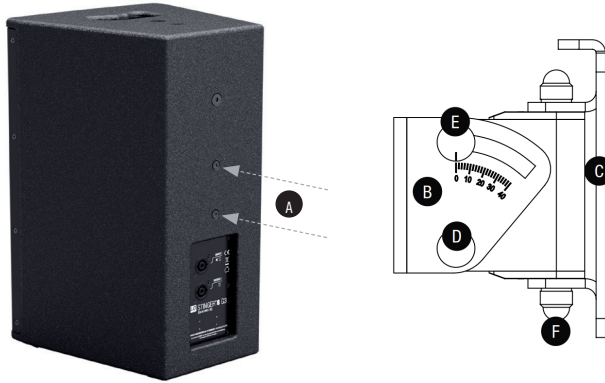
(geeignet für LDEB122G3, LDEB122AG3, LDEB152G3, LDEB152AG3)

Schrauben Sie den größenverstellbaren U-Bügel an einer geeigneten Stelle an eine tragfähige Wand (A). Verwenden Sie dazu geeignete Schrauben und Dübel etc. und achten auf festen Halt. Der 35mm Aufsteckbolzen ist in vier unterschiedlichen Distanzen zur Wand am Bügel zu befestigen. Wählen Sie die für Lautsprecher und Einsatzzweck geeignete Position und schrauben ihn am Bügel fest (B, beiliegenden Gummiring auf den Aufsteckbolzen setzen). Entfernen Sie die M10 Schraube auf der Oberseite des Lautsprechers und heben den Lautsprecher in den Bügel, so, dass der 35mm Aufsteckbolzen in den 0° Stativflansch des Lautsprechers greift (C). Stellen Sie nun die verstellbare Seite des Bügels auf die des Lautsprechers entsprechende Größe ein und arretieren Sie mit Hilfe der beiden Schrauben an der Seite des Bügels (D). Schrauben Sie mit der beiliegenden M10 Knebelschraube den Lautsprecher an der des Aufsteckbolzens entsprechenden Position am Bügel im gewünschten Winkel fest (E, beiliegende Gummischeibe zwischen Bügel und Lautsprecher positionieren, für permanente Installation liegt eine M10 Sechskantschraube bei).

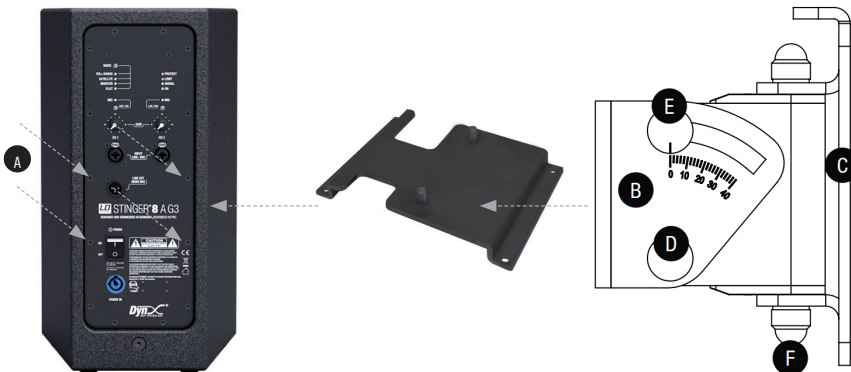


LDEB82G3WMB1 (geeignet für LDEB82G3)

1. Entfernen Sie die zwei M6 Schrauben A auf der Rückseite des Lautsprechers.
2. Lösen Sie die Schraube E der Wandhalterung leicht (nicht entnehmen), lösen Schraube D vom Klipp- & Schwenkarm, entnehmen sie und heben den U-Bügel B aus der Halterung. Schrauben Sie den U-Bügel B mit Hilfe der mitgelieferten Schrauben hinten am Lautsprecher fest.
3. Schrauben Sie die Montageplatte C mit der Sicherungsöse nach oben an einer geeigneten Stelle senkrecht an eine tragfähige Wand (4 Schrauben). Verwenden Sie geeignete Schrauben und Dübel etc. und achten auf festen Halt.
4. Setzen Sie nun den Lautsprecher mit dem montierten U-Bügel B auf die Halterung an der Wand, setzen die Schraube D wieder an der dafür vorgesehenen Stelle ein und befestigen sie mit Hilfe der zuvor entfernten Schraubenmutter.
5. Den Lautsprecher können Sie vertikal neigen, indem Sie die Schraubenmutter E leicht lösen, den gewünschten Winkel einstellen und die Schraubenmutter wieder festziehen. Horizontal können Sie den Lautsprecher verstellen, indem Sie die Schraubenmutter F leicht lösen (Plastikkappe vorher entfernen), den Winkel nach Wunsch einstellen und die Schraubenmutter wieder festziehen.

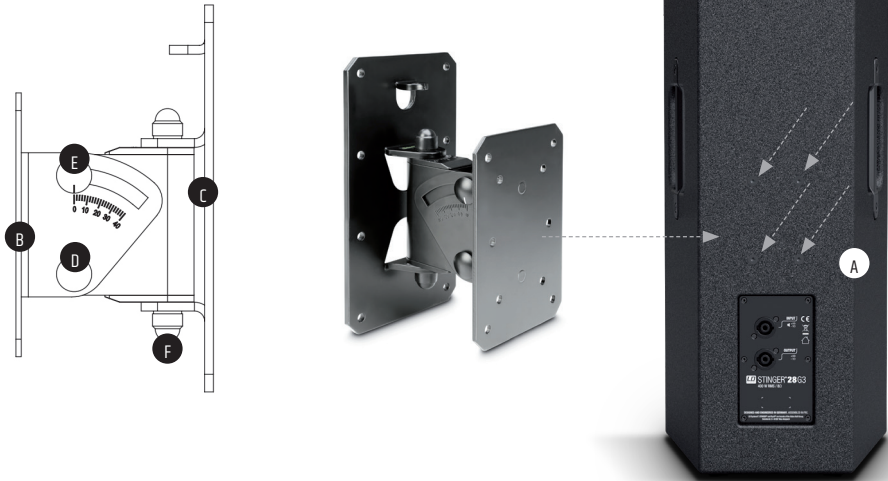
**LDEB82AG3WMB1** (geeignet für LDEB82AG3)

1. Entfernen Sie vier M4 Schrauben A auf der Rückseite des Lautsprechers an den Positionen, die für die Befestigung der Adapterplatte vorgesehen sind. Achten Sie dabei auf die Aussparungen für die Ausgangsbuchse LINE OUT und den Schalter POWER. Befestigen Sie nun die Adapterplatte mit Hilfe der mitgelieferten M4 Schrauben am Lautsprecher in der Art, dass Ausgangsbuchse LINE OUT und Schalter POWER frei zugänglich sind.
2. Lösen Sie die Schraube E der Wandhalterung leicht (nicht entnehmen), lösen Schraube D vom Klipp- & Schwenkarm, entnehmen sie und heben den U-Bügel B aus der Halterung. Schrauben Sie den U-Bügel B mit Hilfe der beiliegenden Schraubenmuttern an der Adapterplatte fest.
3. Schrauben Sie die Montageplatte C mit der Sicherungsöse nach oben an einer geeigneten Stelle senkrecht an eine tragfähige Wand (4 Schrauben). Verwenden Sie geeignete Schrauben und Dübel etc. und achten auf festen Halt.
4. Setzen Sie nun den Lautsprecher mit dem montierten U-Bügel B auf die Halterung an der Wand, setzen die Schraube D wieder an der dafür vorgesehenen Stelle ein und befestigen sie mit Hilfe der zuvor entfernten Schraubenmutter.
5. Den Lautsprecher können Sie vertikal neigen, indem Sie die Schraubenmutter E leicht lösen, den gewünschten Winkel einstellen und die Schraubenmutter wieder festziehen. Horizontal können Sie den Lautsprecher verstellen, indem Sie die Schraubenmutter F leicht lösen (Plastikkappe vorher entfernen), den Winkel nach Wunsch einstellen und die Schraubenmutter wieder festziehen.



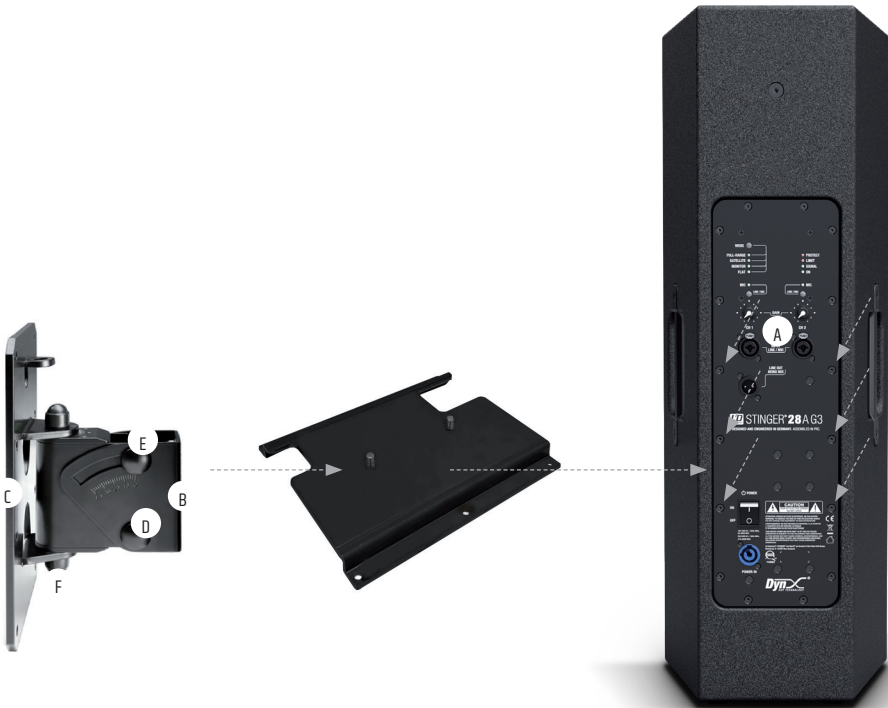
GSPWMBS30B (geeignet für LDEB282G3)

1. Entfernen Sie die vier M6 Schrauben A auf der Rückseite des Lautsprechers.
2. Lösen Sie die Schraube E der Wandhalterung leicht (nicht entnehmen), lösen Schraube D vom Kipp- & Schwenkarm, entnehmen sie und heben den U-Bügel mit Halteplatte B aus der Halterung. Schrauben Sie den U-Bügel mit Halteplatte B mit Hilfe der mitgelieferten Schrauben auf der Rückseite des Lautsprechers fest.
3. Schrauben Sie die Montageplatte C mit der Sicherungsöse nach oben an einer geeigneten Stelle senkrecht an eine tragfähige Wand (8 Schrauben). Verwenden Sie geeignete Schrauben und Dübel etc. und achten auf festen Halt.
4. Setzen Sie nun den Lautsprecher mit dem montierten U-Bügel mit Halteplatte B auf die Halterung an der Wand, setzen die Schraube D wieder an der dafür vorgesehenen Stelle ein und befestigen sie mit Hilfe der zuvor entfernten Schraubenmutter.
5. Den Lautsprecher können Sie vertikal neigen, indem Sie die Schraubenmutter E leicht lösen, den gewünschten Winkel einstellen und die Schraubenmutter wieder festziehen. Horizontal können Sie den Lautsprecher verstellen, indem Sie die Schraubenmutter F leicht lösen (Plastikkappe vorher entfernen), den Winkel nach Wunsch einstellen und die Schraubenmutter wieder festziehen.



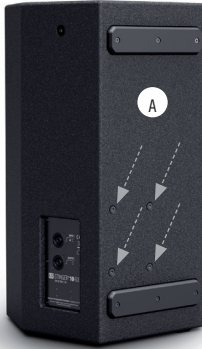
LDEB282AG3WMB1 (geeignet für LDEB282AG3)

1. Entfernen Sie sechs M4 Schrauben A auf der Rückseite des Lautsprechers an den Positionen, die für die Befestigung der Adapterplatte vorgesehen sind. Achten Sie dabei auf die Aussparungen für die Ausgangsbuchse LINE OUT und den Schalter POWER. Befestigen Sie nun die Adapterplatte mit Hilfe der mitgelieferten M4 Schrauben am Lautsprecher in der Art, dass Ausgangsbuchse LINE OUT und Schalter POWER frei zugänglich sind.
2. Lösen Sie die Schraube E der Wandhalterung leicht (nicht entnehmen), lösen Schraube D vom Kipp- & Schwenkarm, entnehmen sie und heben den U-Bügel B aus der Halterung. Schrauben Sie den U-Bügel B mit Hilfe der beiliegenden Schraubenmutter an der Adapterplatte fest.
3. Schrauben Sie die Montageplatte C mit der Sicherungsöse nach oben an einer geeigneten Stelle senkrecht an eine tragfähige Wand (8 Schrauben). Verwenden Sie geeignete Schrauben und Dübel etc. und achten auf festen Halt.
4. Setzen Sie nun den Lautsprecher mit dem montierten U-Bügel B auf die Halterung an der Wand, setzen die Schraube D wieder an der dafür vorgesehenen Stelle ein und befestigen sie mit Hilfe der zuvor entfernten Schraubenmutter.
5. Den Lautsprecher können Sie vertikal neigen, indem Sie die Schraubenmutter E leicht lösen, den gewünschten Winkel einstellen und die Schraubenmutter wieder festziehen. Horizontal können Sie den Lautsprecher verstellen, indem Sie die Schraubenmutter F leicht lösen (Plastikkappe vorher entfernen), den Winkel nach Wunsch einstellen und die Schraubenmutter wieder festziehen.



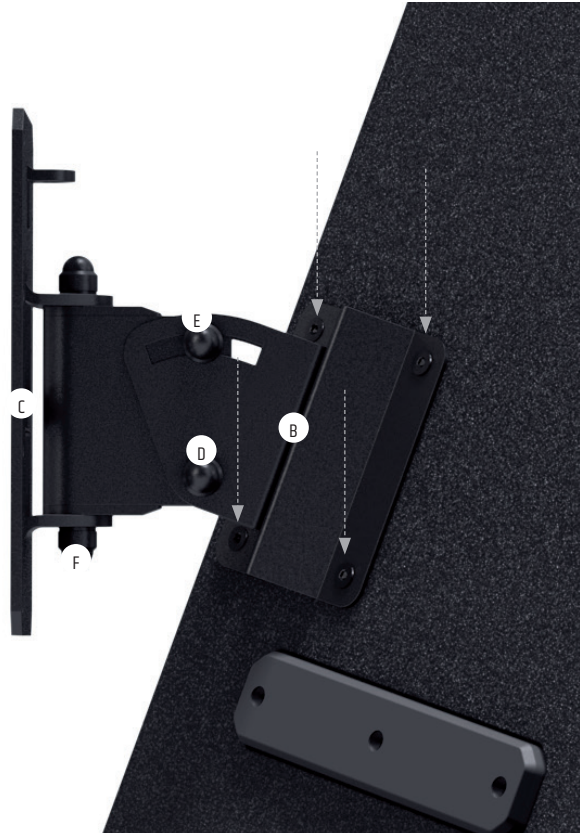
LDEB102G3WMB1 (geeignet für LDEB102G3, LDEB102AG3)

1. Entfernen Sie die vier M6 Schrauben A auf der Rückseite des Lautsprechers.
2. Lösen Sie die Schraube E der Wandhalterung leicht (nicht entnehmen), lösen Schraube D vom Kipp- & Schwenkarm, entnehmen sie und heben den U-Bügel mit Halteplatte B aus der Halterung. Schrauben Sie den U-Bügel mit Halteplatte B mit Hilfe der mitgelieferten Schrauben auf der Rückseite des Lautsprechers fest.
3. Schrauben Sie die Montageplatte C mit der Sicherungsöse nach oben an einer geeigneten Stelle senkrecht an eine tragfähige Wand (4 Schrauben). Verwenden Sie geeignete Schrauben und Dübel etc. und achten auf festen Halt.
4. Setzen Sie nun den Lautsprecher mit dem montierten U-Bügel mit Halteplatte B auf die Halterung an der Wand, setzen die Schraube D wieder an der dafür vorgesehenen Stelle ein und befestigen sie mit Hilfe der zuvor entfernten Schraubenmutter.
5. Den Lautsprecher können Sie vertikal neigen, indem Sie die Schraubenmutter E leicht lösen, den gewünschten Winkel einstellen und die Schraubenmutter wieder festziehen. Horizontal können Sie den Lautsprecher verstellen, indem Sie die Schraubenmutter F leicht lösen (Plastikkappe vorher entfernen), den Winkel nach Wunsch einstellen und die Schraubenmutter wieder festziehen



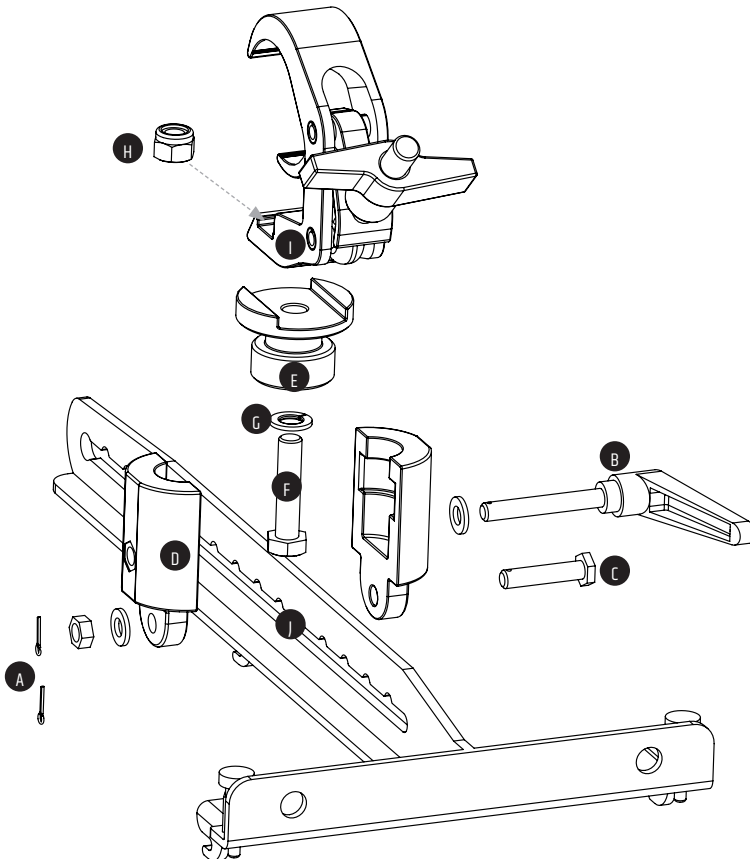
LDEB3WMB1 (geeignet für LDEB122G3, LDEB122AG3, LDEB152G3, LDEB152AG3)

1. Entfernen Sie die vier M6 Schrauben A auf der Rückseite des Lautsprechers.
2. Lösen Sie die Schraube E der Wandhalterung leicht (nicht entnehmen), lösen Schraube D vom Kipp- & Schwenkarm, entnehmen sie und heben den U-Bügel mit Halteplatte B aus der Halterung. Schrauben Sie den U-Bügel mit Halteplatte B mit Hilfe der mitgelieferten Schrauben auf der Rückseite des Lautsprechers fest.
3. Schrauben Sie die Montageplatte C mit der Sicherungsöse nach oben an einer geeigneten Stelle senkrecht an eine tragfähige Wand (8 Schrauben). Verwenden Sie geeignete Schrauben und Dübel etc. und achten auf festen Halt.
4. Setzen Sie nun den Lautsprecher mit dem montierten U-Bügel mit Halteplatte B auf die Halterung an der Wand, setzen die Schraube D wieder an der dafür vorgesehenen Stelle ein und befestigen sie mit Hilfe der zuvor entfernten Schraubenmutter.
5. Den Lautsprecher können Sie vertikal neigen, indem Sie die Schraubenmutter E leicht lösen, den gewünschten Winkel einstellen und die Schraubenmutter wieder festziehen. Horizontal können Sie den Lautsprecher verstellen, indem Sie die Schraubenmutter F leicht lösen (Plastikkappe vorher entfernen), den Winkel nach Wunsch einstellen und die Schraubenmutter wieder festziehen.



ZUSAMMENBAU VON HALTEBÜGEL UND TRAVERSENKLEMME

1. Lösen Sie die Sicherungssplinte (A) von den beiden M8 Schrauben (B, C) im zylindrischen Schwenk- / Neigekopf (D) des Haltebügels.
2. Drehen Sie beide Schrauben (B, C) aus dem Schwenk- / Neigekopf (D), trennen die beiden Zylinderhälften und entnehmen das Gußstück (E).
3. Verwenden Sie nun die beiliegenden Teile M10 Schraube (F), die Federscheibe (G) und die selbstsichernde M10 Schraubenmutter (H), um das Gußstück (E) mit Hilfe eines 17mm Steckschlüsselwerkzeugs fest mit der Traversenklemme (I) zu verbinden. Setzen Sie dabei die Traversenklemme in die Aussparung des Gußstücks, die selbstsichernde Schraubenmutter in die Aussparung in der Traversenklemme und führen die Schraube mit der Federscheibe durch das Gußstück in die Traversenklemme (siehe Zeichnung).
4. Setzen Sie nun das Gußstück mit der Traversenklemme in eine Hälfte des Schwenk- / Neigekopfs (D) und führen beide Hälften zusammen, in der Art, dass die M8 Schraube (C) durch das entsprechende Montageloch der einen Hälfte, durch die Halteschiene (J) des Haltebügels und das Montageloch der zweiten Hälfte des zylindrischen Schwenk- / Neigekopfs geführt werden kann. Setzen Sie die zuvor entfernte Unterlegscheibe auf die Schraube und ziehen die M8 Schraubenmutter lediglich handfest an. Sichern Sie die Mutter mit Hilfe eines zuvor gelösten Sicherungssplints (A).
5. Setzen Sie die M8 Unterlegscheibe auf die M8 Hebelschraube (B), achten darauf, dass die M8 Schraubenmutter korrekt in der Aussparung der entsprechenden Zylinderhälfte des Schwenk- / Neigekopfs sitzt, führen die Hebelschraube durch beide Zylinderhälften und ziehen sie fest. Sichern Sie die Schraube mit Hilfe eines zuvor entfernten Sicherungssplints (A).



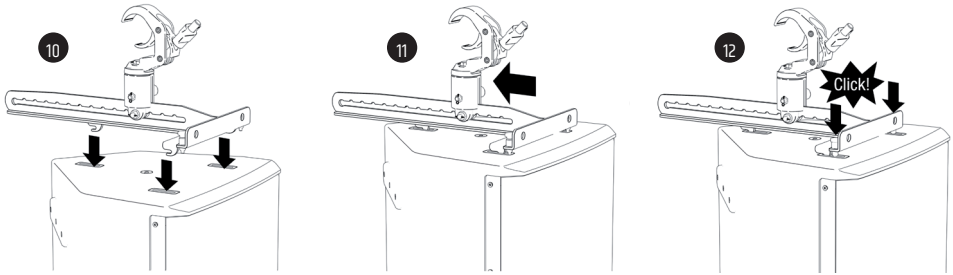
TEILEBESCHREIBUNG UND MONTAGE

- 1 Traversenklemme zum Einhängen in einer horizontal installierten Traverse.
- 2 Flügelmutter zum Festklemmen an einer Traverse.
- 3 Knebelschraube zum Arretieren der horizontalen und vertikalen Schwenkachsen.
- 4 Halteschiene mit Rastausparungen zum Einstellen der vertikalen Abstrahlrichtung des Lautsprechers.
- 5 Haltebolzen.
- 6 Drehvorrichtung zum Einstellen der horizontalen Abstrahlrichtung des Lautsprechers.
- 7 Drei Stahlhaken, die in die Haltebuchsen auf der Oberseite des Lautsprechers greifen.
- 8 Zwei gefederte Sperrbolzen zum Sichern der Verbindung.
- 9 Montagelöcher zur alternativen Installation des Lautsprechers mit Hilfe von Ketten.

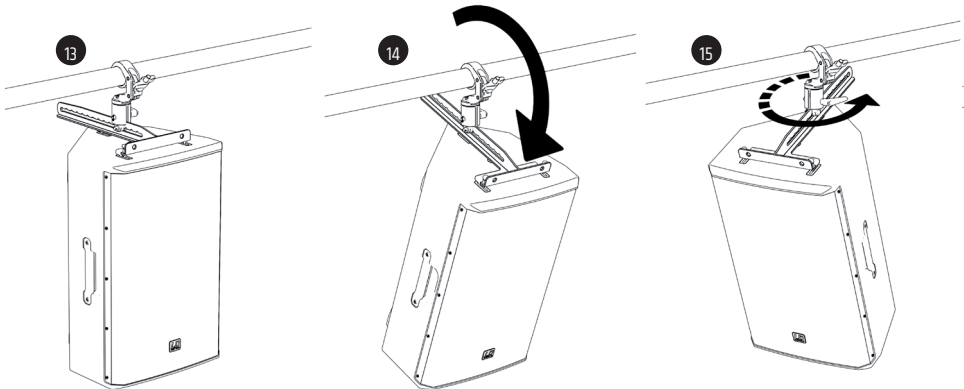
Wichtiger Hinweis: Überprüfen Sie vor jeder Montage alle Komponenten des Haltebügels auf Vollständigkeit, Beschädigungen und korrekte Funktion (Splinte für Schrauben, Schrauben, Muttern, Sperrbolzen, Stahlhaken, Haltebuchsen im Lautsprecher usw.). Sollte eine Komponente des Haltebügels beschädigt sein, fehlen oder nicht korrekt funktionieren, darf der Haltebügel nicht verwendet werden.



- 10 Führen Sie alle drei Stahlhaken des EasyMount Haltebügels in die entsprechenden Haltebuchsen des Lautsprechers ein.
- 11 Schieben Sie nun den gesamten Haltebügel in Richtung Lautsprecherrückseite.
- 12 Achten Sie bei der Montage des Haltebügels darauf, dass die gefederten Sicherungs-Sperrbolzen komplett einrasten. Überprüfen Sie die korrekte Funktion der Sperrbolzen vor jeder Montage. Zum Lösen der Verbindung müssen aus Sicherheitsgründen beide Sperrbolzen gleichzeitig nach oben gezogen werden (Zweihand-Entriegelung).



- 13 Ziehen Sie vor dem Einhängen des Lautsprechers an eine Traverse die Knebelschraube des Haltebügels Nr. 3 fest. Hängen Sie den Lautsprecher mit Hilfe der Traversenklemme Nr. 1 an einer geeigneten Stelle an eine horizontal installierte Traverse und klemmen sie mit Hilfe der Flügelmutter Nr. 2 fest.
- 14 Lösen Sie die Knebelschraube Nr. 3 etwas (ca. 1 Umdrehung). Zum Einstellen der vertikalen Abstrahlrichtung des Lautsprechers heben Sie den Lautsprecher leicht an und bringen die Halteschiene mit den Rastausparungen Nr.4 in die der gewünschten Neigung entsprechenden Position und lassen den Haltebolzen Nr. 5 in die entsprechende Rastausparung einrasten, indem Sie den Lautsprecher absetzen.
- 15 Drehen Sie nun den Lautsprecher, bis die gewünschte horizontale Abstrahlrichtung erreicht ist und ziehen die Knebelschraube Nr. 3 fest.



LDEBG3SCP (geeignet für LDEB82G3, LDEB82AG3, LDEB102G3, LDEB102AG3)

- 1 Traversenklemme mit verstellbarer Knebelschraube und Flansch für den Befestigungsbolzen (ausschließlich für die Montage an horizontal installierten Traversen).
- 2 Befestigungsbolzen mit M10 Gewinde und Flügelmutter.
- 3 Adapter für die Montage der Klemme an Vierkantröhren.



- 4 Entfernen Sie die M10 Schraube auf der Oberseite des Lautsprechers.
- 5 Entfernen Sie die M10 Flügelmutter vom Befestigungsbolzen (Nr. 2) und schrauben ihn bis zum Anschlag in das M10 Gewinde auf der Oberseite des Lautsprechers.
- 6 Befestigen Sie die Traversenklemme mit Hilfe der verstellbaren Knebelschraube an einer geeigneten Stelle an einer Traverse und achten auf festen Halt.
- 7 Lösen Sie die Sicherungsschraube so weit, dass der Flansch auf der Unterseite der Klemme für die Aufnahme des Befestigungsbolzens frei ist (Schraube nicht entfernen).
- 8 Drücken Sie den gefederten Verriegelungsbolzen an der Seite der Klemme so weit ins Gehäuse, dass der Flansch auf der Unterseite der Klemme für die Aufnahme des Befestigungsbolzens frei ist und führen den Bolzen bis zum Anschlag in den Flansch ein. Lösen Sie den Druck vom Verriegelungsbolzen und halten den Lautsprecher so lange fest, bis Sie sicher sein können, dass der Befestigungsbolzen komplett eingerastet ist. Drehen Sie den Lautsprecher in die gewünschte Abstrahlrichtung und sichern nun die Verbindung, indem Sie die Sicherungsschraube Nr. 7 festziehen.



TECHNISCHE DATEN

Modellbezeichnung:	LDEB82G3WMB	LDEB102G3WMB
Typ:	PA-Lautsprecher-Zubehör	PA-Lautsprecher-Zubehör
Teil:	Wand-/Deckenhalterung	Wand-/Deckenhalterung
Passend für:	LDEB82G3, LDEB82AG3	LDEB102G3, LDEB102AG3
Material:	Stahl	Stahl
Oberfläche:	pulverbeschichtet	pulverbeschichtet
Farbe:	Schwarz	Schwarz
Max. Belastbarkeit	12 kg	15 kg
Abmessungen (B x H x T):	60 x 460 x 170 mm	60 x 535 x 170 mm
Gewicht:	1,1 kg	1,2 kg

Modellbezeichnung:	LDEB282G3WMB	LDEB93WMB
Typ:	PA-Lautsprecher-Zubehör	PA-Lautsprecher-Zubehör
Teil:	Wand-/Deckenhalterung	Wandhalterung
Passend für:	LDEB282G3, LDEB282AG3	LDEB122G3, LDEB122AG3 LDEB152G3, LDEB152AG3
Material:	Stahl	Stahl
Oberfläche:	pulverbeschichtet	pulverbeschichtet
Farbe:	Schwarz	Schwarz
Max. Belastbarkeit	21 kg	28 kg
Abmessungen (B x H x T):	60 x 763 x 170 mm	550 x 90 x 308 mm
Gewicht:	1,5 kg	3,5 kg

Modellbezeichnung:	LDEB82G3WMB1	LDEB82AG3WMB1
Typ:	PA-Lautsprecher-Zubehör	PA-Lautsprecher-Zubehör
Teil:	Wandhalterung	Wandhalterung
Passend für:	LDEB82G3	LDEB82AG3
Material:	Stahl	Stahl
Oberfläche:	pulverbeschichtet	pulverbeschichtet
Farbe:	Schwarz	Schwarz
Max. Belastbarkeit	20 kg	11 kg
Abmessungen (B x H x T):	100 x 157 x 109 mm	130 x 157 x 122 mm
Gewicht:	1,2 kg	2,2 kg

Modellbezeichnung:	GSPWMB30B	LDEB282AG3WMB1
Typ:	PA-Lautsprecher-Zubehör	PA-Lautsprecher-Zubehör
Teil:	Wandhalterung	Wandhalterung
Passend für:	LDEB282G3	LDEB282AG3
Material:	Stahl	Stahl
Oberfläche:	pulverbeschichtet	pulverbeschichtet
Farbe:	Schwarz	Schwarz
Max. Belastbarkeit	30 kg	21 kg

Abmessungen (B x H x T):	120 x 220 x 160 mm	130 x 220 x 173 mm
Gewicht:	1,8 kg	3,3 kg

Modellbezeichnung:	LDEB102G3WMB1	LDEBG3WMB1
Typ:	PA-Lautsprecher-Zubehör	PA-Lautsprecher-Zubehör
Teil:	Wandhalterung	Wandhalterung
Passend für:	LDEB102G3, LDEB102AG3	LDEB122G3, LDEB122AG3 LDEB152G3, LDEB152AG3
Material:	Stahl	Stahl
Oberfläche:	pulverbeschichtet	pulverbeschichtet
Farbe:	Schwarz	Schwarz
Max. Belastbarkeit	20 kg	30 kg
Abmessungen (B x H x T):	100 x 157 x 160 mm	120 x 220 x 160 mm
Gewicht:	1,4 kg	1,8 kg

Modellbezeichnung:	LDEBG3TMB	LDEBG3SCP
Typ:	PA-Lautsprecher-Zubehör	PA-Lautsprecher-Zubehör
Teil:	Traversenhalterung	Traversenhalterung
Passend für:	LDEB122G3, LDEB122AG3 LDEB152G3, LDEB152AG3	LDEB82G3, LDEB82AG3 LDEB102G3, LDEB102AG3
Material:	Stahl/Zink	Aluminium/Messing
Oberfläche:	pulverbeschichtet	pulverbeschichtet/unbeschichtet
Farbe:	Schwarz	Schwarz/Messing
Max. Belastbarkeit	28 kg	20 kg
Abmessungen (B x H x T):	230 x 240 x 430 mm	57 x 136 x 118 mm
Gewicht:	3 kg	0,564 kg

HERSTELLERERKLÄRUNGEN

HERSTELLERGARANTIE & HAFTUNGSBESCHRÄNKUNG

Unsere aktuellen Garantiebedingungen und Haftungsbeschränkung finden Sie unter: https://cdn-shop.adamhall.com/media/pdf/MANUFACTURERS-DECLARATIONS_LD_SYSTEMS.pdf. Im Service Fall wenden Sie sich bitte an Adam Hall GmbH, Adam-Hall-Str. 1, 61267 Neu Anspach / E-Mail Info@adamhall.com / +49 (0)6081 / 9419-0.



KORREKTE ENTSORGUNG DIESES PRODUKTS

(Gültig in der Europäischen Union und anderen europäischen Ländern mit Mülltrennung) Dieses Symbol auf dem Produkt oder dazugehörigen Dokumenten weist darauf hin, dass das Gerät am Ende der Produktlebenszeit nicht zusammen mit dem normalen Hausmüll entsorgt werden darf, um Umwelt- oder Personenschäden durch unkontrollierte Abfallentsorgung zu vermeiden. Bitte entsorgen Sie dieses Produkt getrennt von anderen Abfällen und führen es zur Förderung nachhaltiger Wirtschaftskreisläufe dem Recycling zu. Als Privatkunde erhalten Sie Informationen zu umweltfreundlichen Entsorgungsmöglichkeiten über den Händler, bei dem das Produkt erworben wurde, oder über die entsprechenden regionalen Behörden. Als gewerblicher Nutzer kontaktieren Sie bitte Ihren Lieferanten und prüfen die ggf. vertraglich vereinbarten Konditionen zur Entsorgung der Geräte. Dieses Produkt darf nicht zusammen mit anderen gewerblichen Abfällen entsorgt werden.

CE-Konformität

Hiermit erklärt die Adam Hall GmbH, dass dieses Produkt folgenden Richtlinien entspricht (soweit zutreffend):

RoHS (1999/5/EG) bzw. RED (2014/53/EU) ab Juni 2017

Niederspannungsrichtlinie (2014/35/EU)

EMV-Richtlinie (2014/30/EU)

RoHS (2011/65/EU)

Die vollständige Konformitätserklärung finden Sie unter www.adamhall.com.

Des Weiteren können Sie diese auch unter info@adamhall.com anfragen.

VOUS AVEZ FAIT LE BON CHOIX!

Cet appareil a été développé et fabriqué en appliquant des exigences de qualité très élevées : il garantit des années de fonctionnement sans problème. Grâce à de nombreuses années d'expérience, LD Systems est un nom connu dans le domaine des produits audio haut de gamme. Veuillez lire attentivement ce Manuel Utilisateur : vous apprendrez rapidement à utiliser votre appareil LD Systems de façon optimale. Pour plus d'informations sur **LD Systems**, visitez notre site Web, WWW.LD-SYSTEMS.COM

MESURES PRÉVENTIVES

1. Veuillez lire attentivement ce manuel.
2. Rangez tous les documents d'information et d'instructions en lieu sûr.
3. Veuillez suivre toutes les instructions
4. Observez tous les messages d'avertissement N'enlevez pas de l'appareil les étiquettes de sécurité ou autres informations.
5. N'utilisez l'appareil que pour des applications et de la façon appropriées.
6. Utilisez exclusivement des pieds et des dispositifs de fixation stables et adaptés lorsque l'appareil est utilisé en installation fixe. Assurez-vous que les fixations murales ont été montées correctement, et qu'elles sont sécurisées. Vérifiez que l'appareil est installé en toute sécurité, et qu'il ne peut pas tomber.
7. Lors de l'installation, observez les réglementations de sécurité en vigueur dans votre pays.
8. N'installez et n'utilisez pas l'appareil à proximité de radiateurs, d'accumulateurs de chaleur, de fours ou de toute autre source de chaleur. Vérifiez que l'appareil est installé de façon à bénéficier en permanence d'un refroidissement efficace et qu'il ne peut pas chauffer de façon excessive.
9. Ne placez aucune source de flamme sur l'appareil – par exemple, une bougie allumée.
10. Ne bloquez pas les ouïes d'aération. Éviter toute exposition directe aux rayons du soleil !
11. Gardez une distance minimale de 20 cm autour et au-dessus de l'appareil.
12. N'utilisez pas l'appareil à proximité immédiate d'eau (à moins qu'il ne s'agisse d'un appareil conçu pour une utilisation en extérieur – dans ce cas, respectez les instructions correspondantes ci après) Ne mettez pas l'appareil en contact avec des matériaux, des liquides ou des gaz inflammables.
13. Vérifiez qu'aucune projection ou liquide ne puisse s'introduire dans l'appareil. Ne posez sur l'appareil aucun objet renfermant du liquide : vase, verre d'eau...
14. Vérifiez qu'aucun petit objet ne puisse tomber à l'intérieur de l'appareil.
15. N'utilisez avec cet appareil que des accessoires recommandés et approuvés par le fabricant.
16. N'ouvrez pas l'appareil, et n'essayez pas de le modifier.
17. Lors du branchement de l'appareil, sécurisez le passage du câble secteur, afin d'éviter tout dommage ou accident, par exemple quelqu'un qui trébuche sur le câble.
18. Lors du transport, vérifiez que l'appareil ne peut tomber, ce qui pourrait provoquer des dommages matériels et/ou corporels.
19. Si votre appareil ne fonctionne plus correctement, que de l'eau ou des objets ont pénétré à l'intérieur, ou qu'il a été endommagé de quelque façon que ce soit, éteignez-le immédiatement et débranchez sa prise secteur (s'il s'agit d'un appareil alimenté). Cet appareil ne doit être réparé que par un personnel autorisé.
20. Pour le nettoyage de l'appareil, utilisez un chiffon sec/
21. Observez toutes les réglementations en vigueur dans votre pays pour mettre l'appareil au rebut. Lorsque vous jetez l'emballage de l'appareil, veuillez séparer plastique, papier et carton.
22. Les films plastique doivent être mis hors de portée des enfants.
23. Veuillez noter que les changements ou modifications n'ayant pas été expressément approuvés par la partie responsable de la conformité pourraient annuler le droit accordé à l'utilisateur de faire fonctionner l'équipement.

APPAREILS RELIÉS AU SECTEUR

24. ATTENTION : Si le câble de l'appareil est muni d'un fil de terre, il doit être relié à une prise murale avec terre. Ne désactivez jamais la mise à la terre d'un appareil.
25. N'allumez pas l'appareil immédiatement s'il a subi une grande différence de température ambiante (par exemple, lors du transport). L'humidité et la condensation pourraient l'endommager. Ne mettez l'appareil sous tension que lorsqu'il est parvenu à la température de la pièce.
26. Avant de relier l'appareil à la prise murale, vérifiez que la valeur et la fréquence de tension secteur sur laquelle il est réglé correspondent bien à la valeur et à la fréquence de la tension secteur locale. Si l'appareil possède un sélecteur de tension, ne le branchez sur la prise murale qu'après avoir vérifié que la valeur réglée correspond à la valeur effective de la tension secteur. Si la fiche du cordon secteur ou du bloc adaptateur livré avec votre appareil ne correspond pas au format de votre prise murale, veuillez consulter un électricien.
27. Ne piétinez pas le câble secteur. Assurez-vous que le câble secteur n'est pas trop pincé, notamment au niveau de l'arrière de l'appareil (ou de son adaptateur secteur) et de la prise murale.
28. Lors du branchement de l'appareil, vérifiez que l'accès au câble secteur ou au bloc adaptateur reste facile. Sortez la fiche secteur de la prise murale dès que vous n'utilisez pas l'appareil pendant un certain temps, ou si vous désirez nettoyer l'appareil. Pour ce faire, tirez toujours sur la fiche elle-même, ou sur le bloc secteur lui-même ; ne tirez jamais sur le câble. Ne manipulez jamais le câble secteur ou l'adaptateur secteur avec des mains mouillées.
29. N'éteignez/rallumez pas l'appareil rapidement plusieurs fois de suite : vous risquez de réduire la longévité de ses composants internes.
30. CONSEIL IMPORTANT : Ne remplacez le fusible que par un fusible de même type et du même calibre. Si le fusible fond de façon répétée, veuillez consulter un centre de réparations agréé.
31. Pour séparer complètement l'appareil du secteur, débranchez le cordon secteur ou l'adaptateur de la prise murale.
32. Si votre appareil est muni d'un connecteur secteur verrouillable (Volex), il faut d'abord déverrouiller le mécanisme avant d'enlever le cordon secteur. Attention, lorsque vous retirez le câble secteur, à ne pas faire bouger l'appareil, ce qui pourrait se traduire par un risque de chute, de blesser quelqu'un, ou tout autre dommage. Manipulez toujours le cordon secteur avec soin.
33. Débranchez la fiche secteur ou l'adaptateur de la prise murale en cas d'orage, ou si vous n'utilisez pas l'appareil pendant une longue période.

**ATTENTION :**

Ne démontez jamais le couvercle de l'appareil, vous risquez de recevoir un choc électrique. L'appareil ne renferme aucune pièce ni composant réparable ou remplaçable par l'utilisateur. Ne confiez l'entretien et la réparation qu'à un personnel qualifié.



Le pictogramme en forme de triangle équilatéral contenant un éclair terminé d'une flèche avertit l'utilisateur de la présence d'une tension dangereuse à l'intérieur de l'appareil, tension susceptible de provoquer un choc électrique.



Le pictogramme en forme de triangle équilatéral renfermant un point d'exclamation signale à l'utilisateur la présence d'instructions importantes concernant l'utilisation ou l'entretien de l'appareil.



ATTENTION ! Ce symbole correspond à des surfaces chaudes. En cours de fonctionnement, certaines parties de l'appareil peuvent devenir chaudes. Après utilisation, ne manipulez ou ne transportez l'appareil qu'au bout de 10 minutes de refroidissement.



Attention ! Cet appareil est conçu pour une utilisation à une altitude maximale de 2000 m au-dessus du niveau de la mer.



Attention ! Ce produit ne convient pas à une utilisation dans les climats tropicaux.

ATTENTION ! NIVEAUX SONORES ÉLEVÉS SUR LES PRODUITS AUDIO

Cet appareil a été conçu en vue d'une utilisation professionnelle. L'utilisation commerciale de cet appareil est soumise aux réglementations et directives en vigueur dans votre pays en matière de prévention d'accident. En tant que fabricant, Adam Hall est tenu de vous avertir formellement des risques relatifs à la santé. Risques provoqués par une exposition prolongée à des niveaux sonores élevés : Lors de l'utilisation de ce produit, il est possible d'atteindre des niveaux de pression sonore (exprimés en dB SPL) élevés, susceptibles de provoquer des dommages auditifs irréparables chez les artistes, les techniciens et le public. Évitez toute exposition prolongée à des niveaux de pression sonore élevés (supérieurs à 90 dB SPL).

Remarques importantes : Avant tout montage, vérifier si tous les composants du kit d'accessoires d'installation sont complets, ne présentent pas de dommages et fonctionnent correctement (goupilles pour les vis, vis, écrous, goupilles de blocage, crochets en acier, douilles de fixation et filetages dans le haut-parleur, etc.). Si un composant du kit d'accessoires d'installation est endommagé, absent ou ne fonctionne pas correctement, il ne faut pas utiliser le kit d'accessoires d'installation.

Un filetage M8 est disponible au dos du haut-parleur pour la mise en place d'une sécurité secondaire.

VUE D'ENSEMBLE

Référence de l'article	Convient pour		Montage	Conception
LDEB82G3WMB	LDEB82G3	LDEB82AG3	Mural et au plafond	
LDEB102G3WMB	LDEB102G3	LDEB102AG3		
LDEB282G3WMB	LDEB282G3	LDEB282AG3		
LDEBG3WMB	LDEB122G3	LDEB122AG3	Mural	
	LDEB152G3	LDEB152AG3		
LDEB82G3WMB1	LDEB82G3		Mural	
LDEB82AG3WMB1	LDEB82AG3		Mural	 et 
GSPWMB530B	LDEB282G3		Mural	
LDEB282AG3WMB1	LDEB282AG3		Mural	 et 
LDEB102G3WMB1	LDEB102G3	LDEB102AG3	Mural	
LDEBG3WMB1	LDEB122G3	LDEB122AG3	Mural	
	LDEB152G3	LDEB152AG3		
LDEBG3TMB	LDEB122G3	LDEB122AG3	Sur traverse	
	LDEB152G3	LDEB152AG3		
LDEBG3SCP	LDEB82G3	LDEB82AG3	Sur traverse	
	LDEB102G3	LDEB102AG3		

ENGLISH

DEUTSCH

FRANCAIS

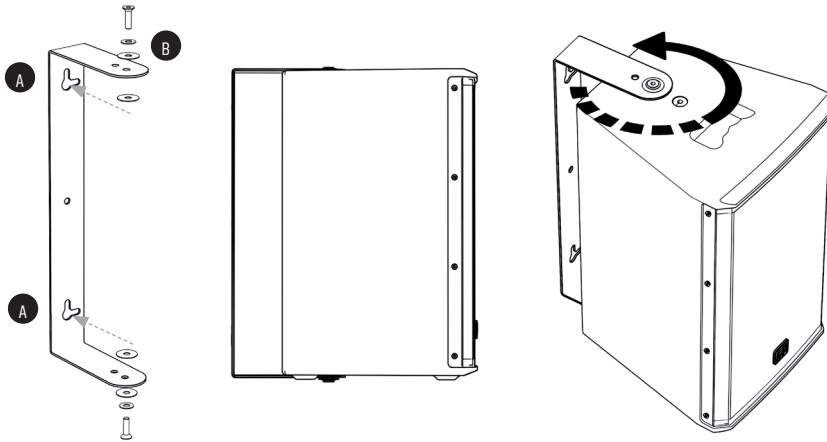
ESPAÑOL

POLSKI

ITALIANO

LDEB82G3WMB (convient pour LDEB82G3, LDEB82AG3)
LDEB102G3WMB (convient pour LDEB102G3, LDEB102AG3)
LDEB282G3WMB (convient pour LDEB282G3, LDEB282AG3)

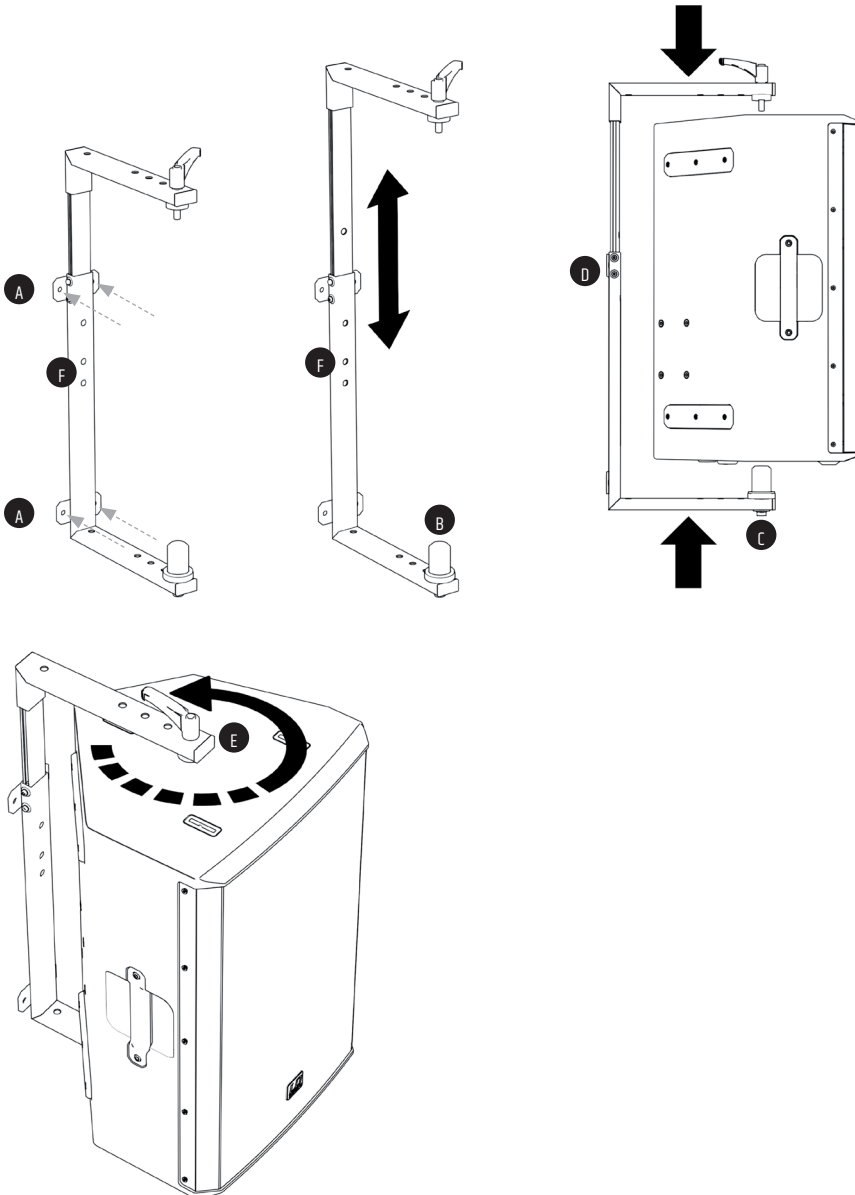
Visser l'étrier en U correspondant au haut-parleur Stinger G3 souhaité à un endroit approprié sur un mur ou un plafond suffisamment solide (A). Utiliser pour cela des vis, des chevilles, etc. adaptées et s'assurer qu'il est solidement fixé. Ôter ensuite les vis M8 se trouvant sur les parties supérieure et inférieure du haut-parleur et soulever le haut-parleur pour le placer dans l'étrier de manière à ce que les positions des filetages du haut-parleur soient alignées avec celles des filetages de l'étrier. Utiliser à présent les vis et rondelles M8 fournies de la manière indiquée sur la figure ci-dessous (B, positionner les rondelles en caoutchouc entre l'étrier et le haut-parleur), régler la direction de rayonnement souhaitée et serrer les vis à l'aide d'un outil adapté (C).



LDEB3WMB

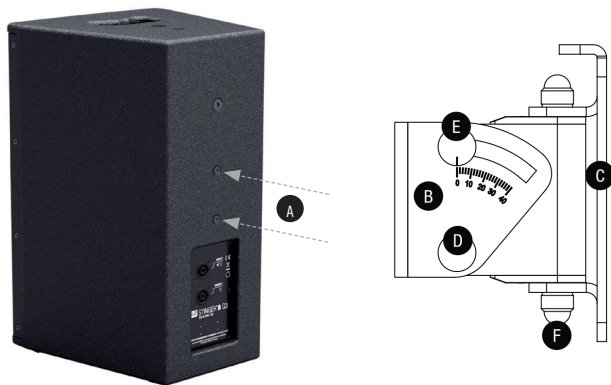
(convient pour LDEB122G3, LDEB122AG3, LDEB152G3, LDEB152AG3)

Visser l'étrier en U réglable à un endroit approprié sur un mur (A). Utiliser pour cela des vis, des chevilles, etc. adaptées et s'assurer qu'il est solidement fixé. La tige emboîtable de 35 mm doit être fixée sur l'étrier à quatre distances différentes du mur, choisir la position adéquate en fonction du haut-parleur et de l'usage recherché et visser la tige à l'étrier (B), mettre en place la bague en caoutchouc fournie sur la tige emboîtable). Ôter la vis M10 se trouvant sur la partie supérieure du haut-parleur et soulever le haut-parleur pour le placer dans l'étrier de manière à ce que la tige emboîtable de 35 mm entre dans l'embase pour pied 0° du haut-parleur (C). Ajuster ensuite le côté réglable de l'étrier à la taille correspondant au haut-parleur et le bloquer à l'aide des deux vis sur le côté de l'étrier (D). À l'aide de la molette à vis M10 fournie, visser le haut-parleur à l'angle souhaité sur l'étrier à la position correspondant à la tige emboîtable (E), positionner la rondelle en caoutchouc fournie entre l'étrier et le haut-parleur, une vis hexagonale M10 est fournie pour une installation permanente.

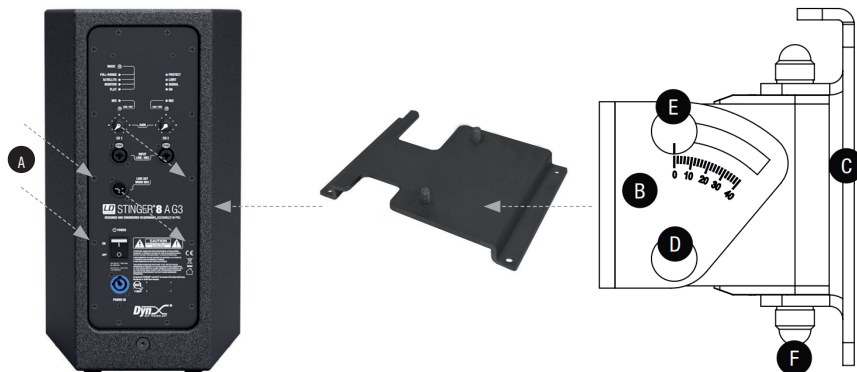


LDEB82G3WMB1 (convient pour LDEB82G3)

1. Ôter les deux vis M6 A se trouvant au dos du haut-parleur.
2. Desserrer légèrement la vis E du support mural (ne pas la retirer), puis desserrer la vis D du bras inclinable et orientable, la retirer et soulever l'étrier en U B du support. Visser l'étrier en U B à l'arrière du haut-parleur à l'aide des vis fournies.
3. Visser la plaque de montage C en position verticale, avec l'œillet de sécurité vers le haut, à un endroit approprié sur un mur suffisamment solide (4 vis). Utiliser des vis, des chevilles, etc. adaptées et s'assurer qu'elle est solidement fixée.
4. Placer ensuite le haut-parleur et l'étrier en U B préalablement assemblés sur le support fixé au mur, repositionner la vis D à l'emplacement prévu à cet effet et la fixer à l'aide de l'écrou précédemment ôté.
5. Il est possible d'incliner le haut-parleur sur le plan vertical en desserrant légèrement l'écrou E, puis en réglant l'angle souhaité avant de resserrer l'écrou. L'inclinaison du haut-parleur peut également être modifiée sur le plan horizontal en desserrant légèrement l'écrou F (après avoir ôté la protection en plastique), puis en réglant l'angle selon le besoin avant de resserrer l'écrou.

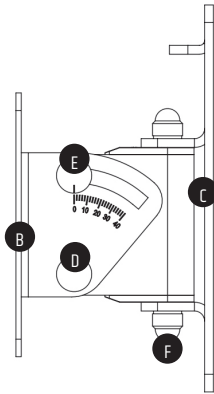
**LDEB82AG3WMB1** (convient pour LDEB82AG3)

1. Ôter les quatre vis M4 A se trouvant au dos du haut-parleur aux positions prévues pour la fixation de la plaque d'adaptation. Faire attention aux emplacements destinés à la prise de sortie LINE OUT et au bouton POWER. Fixer ensuite à l'aide des vis M4 fournies la plaque d'adaptation au haut-parleur de manière à ce que la prise de sortie LINE OUT et le bouton POWER soient librement accessibles.
2. Desserrer légèrement la vis E du support mural (ne pas la retirer), puis desserrer la vis D du bras inclinable et orientable, la retirer et soulever l'étrier en U B du support. Visser l'étrier en U B à la plaque d'adaptation à l'aide des écrous fournis.
3. Visser la plaque de montage C en position verticale, avec l'œillet de sécurité vers le haut, à un endroit approprié sur un mur suffisamment solide (4 vis). Utiliser des vis, des chevilles, etc. adaptées et s'assurer qu'elle est solidement fixée.
4. Placer ensuite le haut-parleur et l'étrier en U B préalablement assemblés sur le support fixé au mur, repositionner la vis D à l'emplacement prévu à cet effet et la fixer à l'aide de l'écrou précédemment ôté.
5. Il est possible d'incliner le haut-parleur sur le plan vertical en desserrant légèrement l'écrou E, puis en réglant l'angle souhaité avant de resserrer l'écrou. L'inclinaison du haut-parleur peut également être modifiée sur le plan horizontal en desserrant légèrement l'écrou F (après avoir ôté la protection en plastique), puis en réglant l'angle selon le besoin avant de resserrer l'écrou.



GSPWMBS30B (convient pour LDEB282G3)

1. Ôter les quatre vis M6 A se trouvant au dos du haut-parleur.
2. Desserrer légèrement la vis E du support mural (ne pas la retirer), puis desserrer la vis D du bras inclinable et orientable, la retirer et soulever l'étrier en U avec plaque de fixation B du support. Visser l'étrier en U avec plaque de fixation B au dos du haut-parleur à l'aide des vis fournies.
3. Visser la plaque de montage C en position verticale, avec l'œillet de sécurité vers le haut, à un endroit approprié sur un mur suffisamment solide (8 vis). Utiliser des vis, des chevilles, etc. adaptées et s'assurer qu'elle est solidement fixée.
4. Placer ensuite le haut-parleur et l'étrier en U avec plaque de fixation B préalablement assemblés sur le support fixé au mur, repositionner la vis D à l'emplacement prévu à cet effet et la fixer à l'aide de l'écrou précédemment ôté.
5. Il est possible d'incliner le haut-parleur sur le plan vertical en desserrant légèrement l'écrou E, puis en réglant l'angle souhaité avant de resserrer l'écrou. L'inclinaison du haut-parleur peut également être modifiée sur le plan horizontal en desserrant légèrement l'écrou F (après avoir ôté la protection en plastique), puis en réglant l'angle selon le besoin avant de resserrer l'écrou.



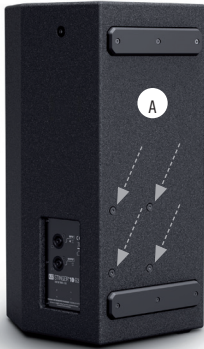
LDEB282AG3WMB1 (convient pour LDEB282AG3)

1. Ôter les six vis M4 se trouvant au dos du haut-parleur aux positions prévues pour la fixation de la plaque d'adaptation. Faire attention aux emplacements destinés à la prise de sortie LINE OUT et au bouton POWER. Fixer ensuite à l'aide des vis M4 fournies la plaque d'adaptation au haut-parleur de manière à ce que la prise de sortie LINE OUT et le bouton POWER soient librement accessibles.
2. Desserrer légèrement la vis E du support mural (ne pas la retirer), puis desserrer la vis D du bras inclinable et orientable, la retirer et soulever l'étrier en U B du support. Visser l'étrier en U B à la plaque d'adaptation à l'aide des écrous fournis.
3. Visser la plaque de montage C en position verticale, avec l'œillet de sécurité vers le haut, à un endroit approprié sur un mur suffisamment solide (8 vis). Utiliser des vis, des chevilles, etc. adaptées et s'assurer qu'elle est solidement fixée.
4. Placer ensuite le haut-parleur et l'étrier en U B préalablement assemblés sur le support fixé au mur, repositionner la vis D à l'emplacement prévu à cet effet et la fixer à l'aide de l'écrou précédemment ôté.
5. Il est possible d'incliner le haut-parleur sur le plan vertical en desserrant légèrement l'écrou E, puis en réglant l'angle souhaité avant de resserrer l'écrou. L'inclinaison du haut-parleur peut également être modifiée sur le plan horizontal en desserrant légèrement l'écrou F (après avoir ôté la protection en plastique), puis en réglant l'angle selon le besoin avant de resserrer l'écrou.



LDEB102G3WMB1 (convient pour LDEB102G3, LDEB102AG3)

1. Ôter les quatre vis M6 A se trouvant au dos du haut-parleur.
2. Desserrer légèrement la vis E du support mural (ne pas la retirer), puis desserrer la vis D du bras inclinable et orientable, la retirer et soulever l'étrier en U avec plaque de fixation B du support. Visser l'étrier en U avec plaque de fixation B au dos du haut-parleur à l'aide des vis fournies.
3. Visser la plaque de montage C en position verticale, avec l'œillet de sécurité vers le haut, à un endroit approprié sur un mur suffisamment solide (4 vis). Utiliser des vis, des chevilles, etc. adaptées et s'assurer qu'elle est solidement fixée.
4. Placer ensuite le haut-parleur et l'étrier en U avec plaque de fixation B préalablement assemblés sur le support fixé au mur, repositionner la vis D à l'emplacement prévu à cet effet et la fixer à l'aide de l'écrou précédemment ôté.
5. Il est possible d'incliner le haut-parleur sur le plan vertical en desserrant légèrement l'écrou E, puis en réglant l'angle souhaité avant de resserrer l'écrou. L'inclinaison du haut-parleur peut également être modifiée sur le plan horizontal en desserrant légèrement l'écrou F (après avoir ôté la protection en plastique), puis en réglant l'angle selon le besoin avant de resserrer l'écrou.

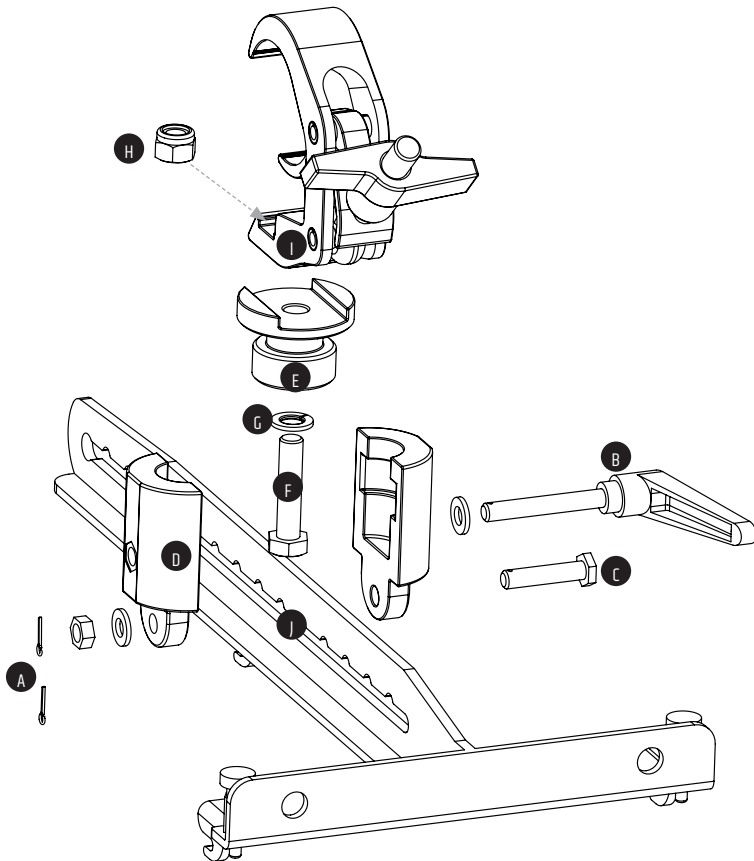


LDEBG3TMB

(convient pour LDEB122G3, LDEB122AG3, LDEB152G3, LDEB152AG3)

ASSEMBLAGE DE L'ÉTRIER DE FIXATION ET DU DISPOSITIF DE SERRAGE SUR TRAVERSE

1. Retirer les goupilles de sécurité (A) des deux vis M8 (B, C) situées sur la tête pivotante et inclinable (D) de l'étrier de fixation.
2. Dévisser les deux vis (B, C) de la tête pivotante et inclinable (D), séparer les deux moitiés du cylindre et enlever la pièce coulée (E).
3. Utiliser à présent les vis M10 (F) fournies, la rondelle-ressort (G) et l'écrou M10 (H) autobloquant pour raccorder la pièce coulée (E) solidement au dispositif de serrage sur traverse (I) au moyen d'une clé à douille de 17 mm. Pour ce faire, introduire le dispositif de serrage sur traverse dans la rainure de la pièce coulée, l'écrou autobloquant dans l'encoche du dispositif de serrage sur traverse et passer la vis avec la rondelle-ressort à travers la pièce coulée dans le dispositif de serrage sur traverse (cf. schéma).
4. Passer la pièce coulée avec le dispositif de serrage sur traverse dans l'une des moitiés de la tête pivotante et inclinable (D) et rapprocher les deux moitiés de sorte à pouvoir introduire la vis M8 (C) à travers le trou de fixation correspondant de l'une des moitiés, à travers le rail de support (J) de l'étrier de fixation et le trou de fixation de la deuxième moitié de la tête pivotante et inclinable cylindrique. Placer la rondelle précédemment retirée sur la vis et serrer l'écrou M8 uniquement à la main. Sécuriser l'écrou à l'aide d'une des goupilles de sécurité précédemment enlevées (A).
5. Introduire la rondelle M8 sur la vis à levier M8 (B) en veillant à ce que l'écrou M8 soit correctement logé dans l'encoche de la moitié correspondante du cylindre de la tête pivotante et inclinable, introduire la vis à levier à travers les deux moitiés du cylindre puis serrer. Sécuriser la vis à l'aide d'une goupille de sécurité précédemment enlevée (A).



ENGLISH

DEUTSCH

FRANÇAIS

ESPAÑOL

POLSKI

ITALIANO

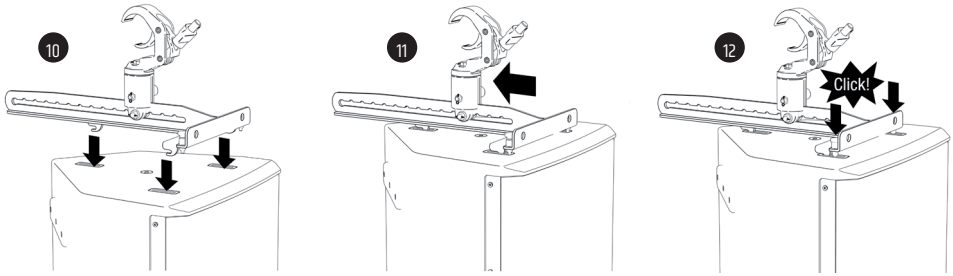
DESCRIPTION DES PIÈCES ET MONTAGE

- 1 Pince de serrage sur traverse pour l'accrochage à une traverse installée horizontalement.
- 2 Écrou papillon pour le serrage sur une traverse.
- 3 Molette à vis pour le blocage des axes pivotants horizontaux et verticaux.
- 4 Rail de support avec emplacements d'encliquetage pour le réglage de la direction verticale de rayonnement du haut-parleur.
- 5 Boulon de fixation.
- 6 Dispositif de rotation pour le réglage de la direction horizontale de rayonnement du haut-parleur.
- 7 Trois crochets en acier qui s'accrochent aux douilles de fixation sur la partie supérieure du haut-parleur.
- 8 Deux goupilles de blocage à ressort pour sécuriser la liaison.
- 9 Trous de montage pour l'installation alternative du haut-parleur à l'aide de chaînes.

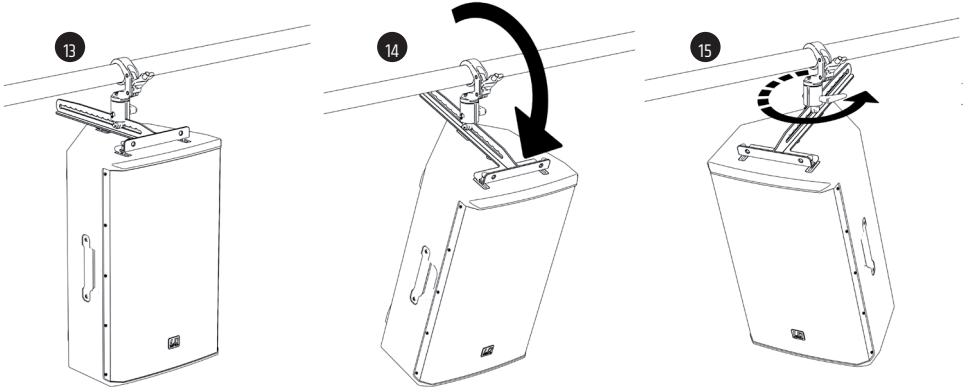
Remarque importante : Avant tout montage, vérifier si tous les composants de l'étrier de fixation sont complets, ne présentent pas de dommages et fonctionnent correctement (goupilles pour les vis, vis, écrous, goupilles de blocage, crochets en acier, douilles de fixation dans le haut-parleur, etc.). Si un composant de l'étrier de fixation est endommagé, absent ou ne fonctionne pas correctement, il ne faut pas utiliser l'étrier de fixation.



- 10** Introduire les trois crochets en acier de l'étrier de fixation EasyMount dans les douilles de fixation du haut-parleur.
- 11** Faire glisser ensuite l'ensemble de l'étrier de fixation vers l'arrière du haut-parleur.
- 12** Lors du montage de l'étrier de fixation, veiller à ce que les goupilles de blocage de sécurité à ressort soient complètement encliquetées. Vérifier le fonctionnement correct des goupilles de blocage avant tout montage. Pour séparer la liaison, pour des raisons de sécurité, les deux goupilles de blocage doivent être tirées simultanément vers le haut (déverrouillage à deux mains).



- 13** Avant d'accrocher le haut-parleur à une traverse, serrer la molette à vis n° 3 de l'étrier de fixation. Accrocher le haut-parleur à un endroit approprié sur une traverse installée horizontalement à l'aide de la pince de serrage sur traverse n° 1 et procéder au serrage à l'aide de l'écrou papillon n° 2.
- 14** Desserrer légèrement la molette à vis n° 3 (d'env. 1 tour). Pour régler la direction verticale de rayonnement du haut-parleur, soulever légèrement le haut-parleur et mettre le rail de support avec les emplacements d'encliquetage n° 4 dans la position correspondant à l'inclinaison souhaitée, puis encliqueter le boulon de fixation n° 5 dans l'emplacement d'encliquetage correspondant en abaissant le haut-parleur.
- 15** Faire pivoter ensuite le haut-parleur jusqu'à atteindre la direction horizontale de rayonnement souhaitée, puis resserrer la molette à vis n° 3.



LDEB83SCP

(convient pour LDEB82G3, LDEB82AG3, LDEB102G3, LDEB102AG3)

- 1 Pince de serrage sur traverse avec molette à vis réglable et bride pour le boulon de fixation (exclusivement pour le montage sur des traverses installées horizontalement).
- 2 Boulon de fixation avec filetage M10 et écrou papillon.
- 3 Adaptateur pour le montage de la pince sur des tubes carrés.



- 4 Ôter la vis M10 se trouvant sur la partie supérieure du haut-parleur.
- 5 Ôter l'écrou papillon M10 du boulon de fixation (n° 2) et le visser jusqu'à la butée dans le filetage M10 se trouvant sur la partie supérieure du haut-parleur.
- 6 Fixer la pince de serrage sur traverse à un endroit approprié sur une traverse à l'aide de la molette à vis réglable et s'assurer qu'elle est bien fixée.
- 7 Desserrer la vis de blocage jusqu'à ce que la bride se trouvant sur la partie inférieure de la pince soit libre pour accueillir le boulon de fixation (ne pas retirer la vis).
- 8 Enfoncer le boulon de verrouillage à ressort situé sur le côté de la pince dans le boîtier jusqu'à ce que la bride se trouvant sur la partie inférieure de la pince soit libre pour accueillir le boulon de fixation et introduire le boulon dans la butée. Exercer une pression sur le boulon de verrouillage et maintenir le haut-parleur jusqu'à avoir la certitude que le boulon de verrouillage est entièrement encliqueté. Tourner le haut-parleur dans la direction de rayonnement souhaitée et sécuriser ensuite la liaison en resserrant la vis de blocage n° 7.



CARACTÉRISTIQUES TECHNIQUES

Nom du modèle :	LDEB82G3WMB	LDEB102G3WMB
Type :	Accessoires pour haut-parleurs de sonorisation	Accessoires pour haut-parleurs de sonorisation
Pièce :	Support de montage mural/au plafond	Support de montage mural/au plafond
Convient pour :	LDEB82G3, LDEB82AG3	LDEB102G3, LDEB102AG3
Matériau :	Acier	Acier
Surface :	Revêtement poudre	Revêtement poudre
Couleur :	Noir	Noir
Charge max.	12 kg	15 kg
Dimensions (l x h x p) :	60 x 460 x 170 mm	60 x 535 x 170 mm
Poids :	1,1 kg	1,2 kg

Nom du modèle :	LDEB282G3WMB	LDEB3WMB
Type :	Accessoires pour haut-parleurs de sonorisation	Accessoires pour haut-parleurs de sonorisation
Pièce :	Support de montage mural/au plafond	Support de montage mural
Convient pour :	LDEB282G3, LDEB282AG3	LDEB122G3, LDEB122AG3 LDEB152G3, LDEB152AG3
Matériau :	Acier	Acier
Surface :	Revêtement poudre	Revêtement poudre
Couleur :	Noir	Noir
Charge max.	21 kg	28 kg
Dimensions (l x h x p) :	60 x 763 x 170 mm	550 x 90 x 308 mm
Poids :	1,5 kg	3,5 kg

Nom du modèle :	LDEB82G3WMB1	LDEB82AG3WMB1
Type :	Accessoires pour haut-parleurs de sonorisation	Accessoires pour haut-parleurs de sonorisation
Pièce :	Support de montage mural	Support de montage mural
Convient pour :	LDEB82G3	LDEB82AG3
Matériau :	Acier	Acier
Surface :	Revêtement poudre	Revêtement poudre
Couleur :	Noir	Noir
Charge max.	20 kg	11 kg
Dimensions (l x h x p) :	100 x 157 x 109 mm	130 x 157 x 122 mm
Poids :	1,2 kg	2,2 kg

Nom du modèle :	GSPWMB30B	LDEB282AG3WMB1
Type :	Accessoires pour haut-parleurs de sonorisation	Accessoires pour haut-parleurs de sonorisation
Pièce :	Support de montage mural	Support de montage mural
Convient pour :	LDEB282G3	LDEB282AG3
Matériau :	Acier	Acier
Surface :	Revêtement poudre	Revêtement poudre
Couleur :	Noir	Noir
Charge max.	30 kg	21 kg

Dimensions (l x h x p) :	120 mm x 220 mm x 160 mm	130 mm x 220 mm x 173 mm
Poids :	1,8 kg	3,3 kg

Nom du modèle :	LDEB102G3WMB1	LDEBG3WMB1
Type :	Accessoires pour haut-parleurs de sonorisation	Accessoires pour haut-parleurs de sonorisation
Pièce :	Support de montage mural	Support de montage mural
Convient pour :	LDEB102G3, LDEB102AG3	LDEB122G3, LDEB122AG3 LDEB152G3, LDEB152AG3
Matériau :	Acier	Acier
Surface :	Revêtement poudre	Revêtement poudre
Couleur :	Noir	Noir
Charge max.	20 kg	30 kg
Dimensions (l x h x p) :	100 x 157 x 160 mm	120 x 220 x 160 mm
Poids :	1,4 kg	1,8 kg

Nom du modèle :	LDEBG3TMB	LDEBG3SCP
Type :	Accessoires pour haut-parleurs de sonorisation	Accessoires pour haut-parleurs de sonorisation
Pièce :	Support de montage sur poutre	Support de montage sur poutre
Convient pour :	LDEB122G3, LDEB122AG3 LDEB152G3, LDEB152AG3	LDEB82G3, LDEB82AG3 LDEB102G3, LDEB102AG3
Matériau :	Acier/zinc	Aluminium/laiton
Surface :	Revêtement poudre	Revêtement poudre/sans revêtement
Couleur :	Noir	Noir/laiton
Charge max.	28 kg	20 kg
Dimensions (l x h x p) :	230 x 240 x 430 mm	57 x 136 x 118 mm
Poids :	3 kg	0,564 kg

DECLARATIONS

GARANTIE FABRICANT & LIMITATION DE RESPONSABILITÉ

Nos conditions actuelles de garantie et de limitation de responsabilité sont disponibles à l'adresse suivante : https://cdn-shop.adamhall.com/media/pdf/MANUFACTURERS-DECLARATIONS_LD_SYSTEMS.pdf. Pour les réparations, veuillez contacter Adam Hall GmbH, Adam-Hall-Str. 1, 61267 Neu Anspach / E-Mail info@adamhall.com / +49 (0)6081 / 9419-0.



TRI ET MISE AUX DÉCHETS CORRECTE DE CE PRODUIT

(Valid in the European Union and other European countries with waste separation)

■ (Applicable dans l'Union Européenne et les autres pays européens pratiquant le tri des déchets) La présence de ce symbole sur le produit ou sur la documentation correspondante indique qu'en fin de vie, le produit ne doit pas être jeté avec les déchets normaux, afin d'éviter tout dommage à l'environnement ou aux personnes consécutives à une élimination non contrôlée des déchets. Séparez-le des autres types de déchets et recyclez-le, afin de promouvoir la réutilisation durable des ressources naturelles. Nous conseillons aux utilisateurs non professionnels de contacter le revendeur chez qui ils ont acheté le produit, ou un représentant gouvernemental local, pour plus de détails sur le lieu de collecte et la façon de recycler cet appareil dans le meilleur respect de l'environnement possible. Nous invitons les utilisateurs professionnels à contacter leur fournisseur et à vérifier les termes et conditions de leur contrat d'achat. Ce produit ne doit pas être mélangé à d'autres déchets commerciaux lors de la collecte.

Conformité CE

La société Adam Hall GmbH déclare par la présente que ce produit est compatible avec les réglementations suivantes (le cas échéant) :

R&TTE (1999/5/EG) et RED (2014/53/EU) à partir de juin 2017

Directive basse tension (2014/35/EU)

Directive CEM (2014/30/EU)

RoHS (2011/65/EU)

La Déclaration de Conformité complète est disponible sur le site Web www.adamhall.com.

Pour toute information complémentaire, contactez-nous : info@adamhall.com.

¡GRACIAS POR ELEGIR LD-SYSTEMS!

Este equipo está diseñado y fabricado con los estándares de calidad más exigentes, para garantizar un correcto funcionamiento durante muchos años. Los productos de LD-Systems se caracterizan por su gran calidad, avalada por el prestigio de la marca y una dilatada experiencia como fabricante. Lea atentamente este manual de usuario para poder aprovechar rápidamente toda la funcionalidad de su nuevo producto de LD Systems. Si desea obtener información sobre LD-SYSTEMS, visite nuestro sitio web WWW.LD-SYSTEMS.COM

MEDIDAS DE SEGURIDAD

1. Lea atentamente las instrucciones de este manual.
2. Guarde toda la información en un lugar seguro para futuras consultas.
3. Siga las instrucciones indicadas.
4. Siga todas las advertencias. No quite las instrucciones de seguridad ni cualquier otra información indicada en el equipo.
5. Utilice el equipo únicamente según la finalidad prevista.
6. Utilice solo soportes y fijaciones que sean robustos y adecuados cuando instale el equipo en instalaciones fijas. Asegúrese de que los soportes de pared están correctamente instalados y firmemente fijados. Asegúrese de que el equipo está sólidamente instalado y no se puede caer.
7. Al instalar el equipo, respete las normas de seguridad aplicables en su país.
8. Evite instalar el equipo cerca de radiadores, acumuladores de calor, estufas o cualquier otra fuente de calor. Asegúrese de que el equipo esté instalado en un lugar con ventilación suficiente para evitar cualquier sobrecalentamiento.
9. No coloque sobre el equipo fuentes de llamas sin protección, por ejemplo, velas encendidas.
10. Evite bloquear las rejillas de ventilación. ¡Evite la luz solar directa!
11. Mantenga una distancia mínima de 20 cm alrededor y encima del equipo.
12. No utilice este equipo cerca del agua (excepto los equipos específicamente diseñados para uso en exterior, en cuyo caso tenga en cuenta las indicaciones mencionadas a continuación). No ponga este equipo a materiales, líquidos o gases inflamables.
13. Evite exponer el equipo a gotas o salpicaduras que puedan caer dentro del mismo. No coloque recipientes llenos de líquido, como floreros o vasos, sobre el equipo.
14. Asegúrese de no dejar caer ningún objeto dentro del equipo.
15. Emplee el equipo únicamente con los accesorios recomendados por el fabricante.
16. No abra el equipo ni intente modificarlo.
17. Una vez conectado el equipo, compruebe que en toda la longitud del cableado no hay peligro de que provoque una caída, por ejemplo.
18. Durante el transporte, asegúrese de que el equipo no se caiga y pueda causar daños personales o materiales.
19. Si el equipo no funciona correctamente, o si se ha vertido líquido sobre él, o si un objeto ha caído en su interior o si ha sufrido algún desperfecto, apague inmediatamente el equipo y desenchufe el cable eléctrico (si se trata de un equipo activo). Únicamente un técnico especialista debe reparar el equipo.
20. Para limpiar el equipo utilice un paño seco.
21. Procure seguir las normas vigentes en su país sobre reciclaje de desechos. Separe los componentes de plástico, papel y cartón del paquete para reciclarlos en sus contenedores respectivos.
22. No deje las bolsas de plástico al alcance de los niños.
23. Tenga en cuenta que la realización de cambios o modificaciones que no estén expresamente autorizados por el responsable de cumplimiento normativo podría anular la autoridad del usuario para utilizar el equipo.

PARA LOS EQUIPOS CON TOMA ELÉCTRICA

24. ADVERTENCIA: Si el cable eléctrico está provisto de un contacto de protección, debe conectarse a una toma eléctrica con conexión a tierra. No desactivar nunca esta conexión de protección a tierra del cable eléctrico.
25. Si el equipo ha estado expuesto a un cambio brusco de temperatura (por ejemplo, después del transporte), no lo encienda inmediatamente. La condensación o la humedad podrían dañar el equipo. Deje que el equipo alcance la temperatura ambiente antes de encenderlo.
26. Antes de conectar el cable eléctrico a la toma de corriente, compruebe si la tensión y la frecuencia del suministro eléctrico coinciden con las especificaciones de este equipo. Si el equipo dispone de un selector de tensión, antes de enchufarlo a la red eléctrica, asegúrese de que el valor seleccionado coincide con la tensión de suministro. Si el enchufe o el adaptador de corriente no encajan en la toma eléctrica, consulte a un electricista.
27. Asegúrese de que el cable eléctrico no está pinzado. Evite que el cable resulte pellizcado, sobre todo en los extremos de conexión al equipo y en la toma eléctrica.
28. Al conectar el equipo, asegúrese de que el cable eléctrico o el adaptador de corriente estén siempre accesibles. Desconecte el equipo de la toma de corriente cuando no esté en uso o antes de limpiarlo. Para ello, desconecte el cable eléctrico y el adaptador de corriente del conector del equipo en vez de desenchufar el cable de la toma eléctrica. No tocar el cable eléctrico ni el adaptador de corriente con las manos húmedas.
29. No encienda y apague el equipo en cortos intervalos de tiempo, ya que se reduce así la vida útil del sistema.
30. NOTA IMPORTANTE: Sustituya los fusibles únicamente por otros del mismo tipo y de las mismas características. Si el fusible se funde continuamente, póngase en contacto con un servicio técnico autorizado.
31. Para desconectar completamente el equipo de la tensión eléctrica, desenchufe el cable eléctrico o el adaptador de corriente de la toma eléctrica.
32. Si el equipo dispone de un enchufe eléctrico Volex, deberá desbloquearse el Volex del equipo para desenchufarlo. Esto implica que un tirón en el cable eléctrico puede desplazar el equipo y provocar daños personales o materiales. Por tanto, asegúrese de instalar los cables con sumo cuidado.
33. Si es probable que caiga un rayo por una tormenta eléctrica o si no va a emplear el equipo durante mucho tiempo, desenchufe el cable eléctrico y el adaptador de corriente.

**ATENCIÓN:**

Para evitar el riesgo de descarga eléctrica, no retire la tapa. El equipo no contiene elementos que el usuario pueda reparar o sustituir. Para cualquier tarea de mantenimiento o reparación, acuda a un técnico cualificado.



El símbolo de rayo dentro de un triángulo equilátero advierte al usuario de la presencia de tensiones peligrosas sin aislamiento dentro del equipo que pueden causar una descarga eléctrica.



El símbolo de exclamación dentro de un triángulo equilátero advierte al usuario de la existencia de importantes instrucciones de uso y mantenimiento.



ATTENTION ! Ce symbole correspond à des surfaces chaudes. En cours de fonctionnement, certaines parties de l'appareil peuvent devenir chaudes. Après utilisation, ne manipulez ou ne transportez l'appareil qu'au bout de 10 minutes de refroidissement.



¡Advertencia! Este equipo está diseñado para ser utilizado a una altura que no supere los 2000 metros sobre el nivel del mar.



¡Advertencia! Este equipo no está diseñado para funcionar en climas tropicales.

¡ADVERTENCIA: ALTO VOLUMEN!

Este equipo se destina a un uso profesional. Por consiguiente, si se aplica a un uso comercial, estará sujeto a las normas y reglamentos de la Asociación para la prevención de accidentes de su sector profesional. Como fabricante, Adam Hall tiene la obligación de informar formalmente a los usuarios de la existencia de posibles riesgos para la salud. Daños auditivos por exposición prolongada a un nivel SPL alto: este equipo puede generar fácilmente un nivel de presión sonora (SPL) lo suficientemente elevado como para causar daños auditivos permanentes a los artistas, el personal de producción y el público. Deben tomarse precauciones para evitar la exposición prolongada a un SPL de más de 90 dB.

Indicaciones importantes: Antes de cada montaje, compruebe que todos los componentes de los accesorios de instalación estén completos, que no presenten daños y que funcionen correctamente (chavetas para tornillos, tornillos, tuercas, pernos de bloqueo, ganchos de acero, ranuras de fijación y roscas en el altavoz, etc.). En caso de que alguno de los componentes de un accesorio de instalación esté dañado, falte o no funcione correctamente, no se debe utilizar dicho accesorio de instalación.

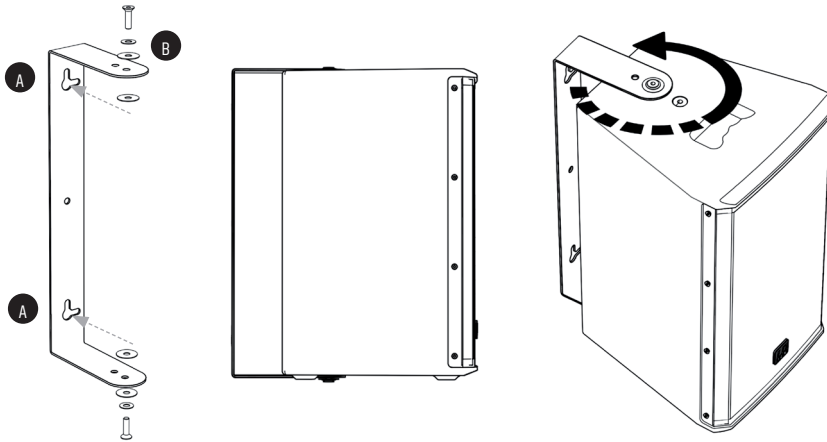
Para añadir una fijación adicional, hay una rosca M8 en la parte posterior del altavoz.

VISTA GENERAL

Número de artículo	Apto para		Montaje	Tipo de construcción
LDEB82G3WMB	LDEB82G3	LDEB82AG3	Pared y techo	
LDEB102G3WMB	LDEB102G3	LDEB102AG3		
LDEB282G3WMB	LDEB282G3	LDEB282AG3		
LDEBG3WMB	LDEB122G3	LDEB122AG3	Pared	
	LDEB152G3	LDEB152AG3		
LDEB82G3WMB1	LDEB82G3		Pared	
LDEB82AG3WMB1	LDEB82AG3		Pared	 y 
GSPWMB530B	LDEB282G3		Pared	
LDEB282AG3WMB1	LDEB282AG3		Pared	 y 
LDEB102G3WMB1	LDEB102G3	LDEB102AG3	Pared	
LDEBG3WMB1	LDEB122G3	LDEB122AG3	Pared	
	LDEB152G3	LDEB152AG3		
LDEBG3TMB	LDEB122G3	LDEB122AG3	Travesaño	
	LDEB152G3	LDEB152AG3		
LDEBG3SCP	LDEB82G3	LDEB82AG3	Travesaño	
	LDEB102G3	LDEB102AG3		

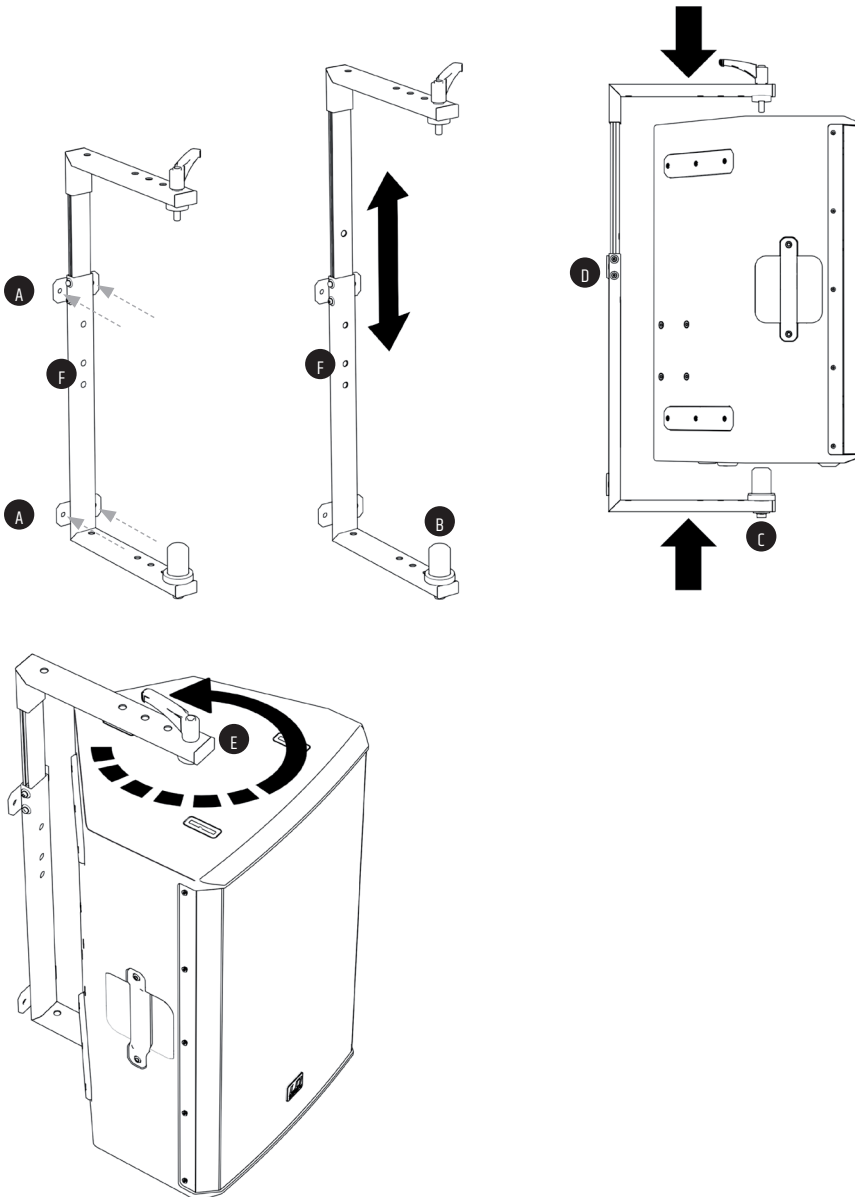
- LDEB82G3WMB** (adecuado para LDEB82G3, LDEB82AG3)
- LDEB102G3WMB** (adecuado para LDEB102G3, LDEB102AG3)
- LDEB282G3WMB** (adecuado para LDEB282G3, LDEB282AG3)

Atornille la abrazadera en U del altavoz Stinger G3 deseado a un lugar adecuado en una pared que soporte el peso o en el techo (A). Para ello, utilice los tornillos, tacos y demás elementos adecuados, y asegúrese de fijarlos bien. A continuación, saque los tornillos M8 de las partes superior e inferior del altavoz y coloque el altavoz en la abrazadera de forma que las posiciones de las roscas en el altavoz coincidan con los agujeros para tornillo de la abrazadera. Ahora, utilice los tornillos M8 y las arandelas suministrados conforme a la figura de abajo (B, coloque arandelas de goma entre la abrazadera y el altavoz), ajuste la dirección de dispersión que desee y apriete los tornillos con una herramienta adecuada (C).



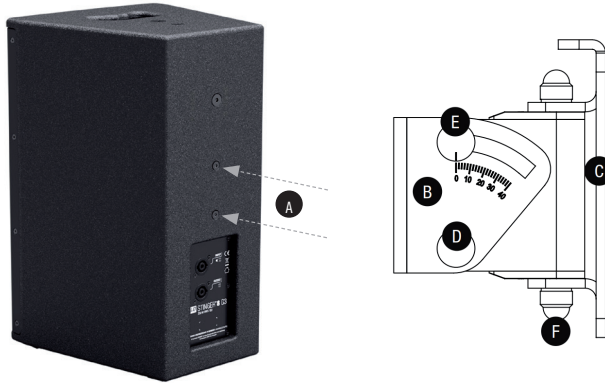
LDEB3WMB (adecuado para LDEB122G3, LDEB122AG3, LDEB152G3, LDEB152AG3)

Atornille la abrazadera en U, cuyo tamaño es ajustable, a un lugar adecuado de una pared que pueda soportar el peso (A). Para ello, utilice los tornillos, tacos y demás elementos adecuados, y asegúrese de fijarlos bien. El perno de sujeción de 35 mm se puede fijar en cuatro puntos de la abrazadera a diferente distancia de la pared. Elija la posición más adecuada para el altavoz según el uso que le vaya a dar y atornillelo a la abrazadera (B, coloque el anillo de goma suministrado sobre el perno de sujeción). Saque el tornillo M10 de la parte superior del altavoz y eleve el altavoz en la abrazadera de forma que el perno de sujeción de 35 mm quede introducido en la brida para soporte de 0° del altavoz (C). Ahora, regule el lado ajustable de la abrazadera al tamaño del altavoz y fíjelo con los dos tornillos en el lado de la abrazadera (D). Atornille el altavoz con el tornillo de muletilla M10 suministrado en la posición correspondiente del perno de sujeción en la abrazadera, con el ángulo deseado (E, coloque la arandela de goma suministrada entre la abrazadera y el altavoz. Para una instalación permanente se incluye también un tornillo de cabeza hexagonal M10).



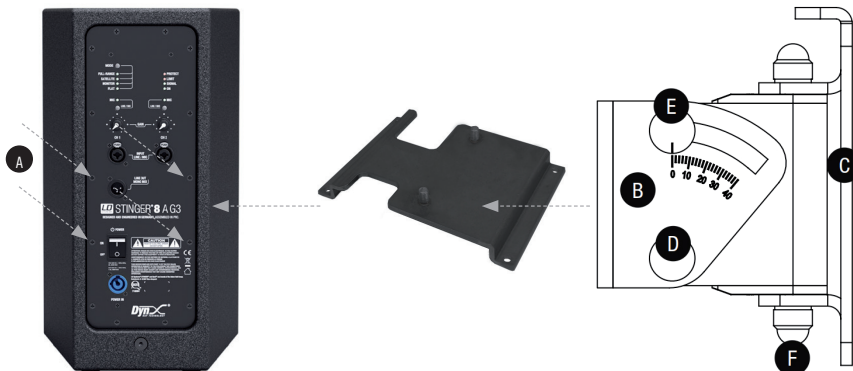
LDEB82G3WMB1 (adecuado para LDEB82G3)

1. Retire los dos tornillos M6 (A) de la parte posterior del altavoz.
2. Afloje levemente el tornillo (E) del soporte de pared (no lo retire), afloje el tornillo (D) del brazo basculante y giratorio, retírelo y eleve la abrazadera en U (B) sacándola del soporte. Atornille la abrazadera en U (B) con los tornillos suministrados a la parte posterior del altavoz.
3. Atornille la placa de montaje C verticalmente con el cáncamo de seguridad hacia arriba en un lugar adecuado de una pared que soporte el peso (4 tornillos). Utilice tornillos, tacos, etc. adecuados y asegúrese de que el montaje quede bien fijado.
4. A continuación, coloque en el soporte de la pared el altavoz con la abrazadera en U (B) montada, vuelva a colocar el tornillo D en el lugar previsto para ello y fíjelo con la tuerca retirada anteriormente.
5. Puede inclinar el altavoz verticalmente aflojando un poco la tuerca E, ajustando el ángulo deseado y volviendo a apretar la tuerca. También puede ajustar el altavoz horizontalmente aflojando un poco la tuerca F (retire primero la tapa de plástico), ajustando el ángulo deseado y volviendo a apretar la tuerca.



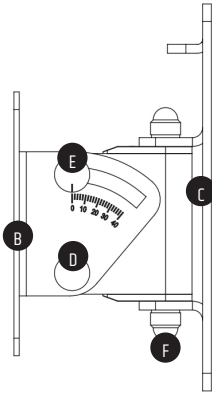
LDEB82AG3WMB1 (adecuado para LDEB82AG3)

1. Retire cuatro tornillos M4 (A) de la parte posterior del altavoz sacándolos de las posiciones previstas para fijar la placa adaptadora. Al hacerlo, tenga en cuenta las ranuras para la toma de salida LINE OUT y el interruptor POWER. Ahora, fije la placa adaptadora al altavoz con los tornillos M4 suministrados de forma que se pueda acceder libremente a la toma de salida LINE OUT y al interruptor POWER.
2. Afloje levemente el tornillo (E) del soporte de pared (no lo retire), afloje el tornillo (D) del brazo basculante y giratorio, retírelo y eleve la abrazadera en U (B) sacándola del soporte. Fije la abrazadera en U (B) con las tuercas suministradas a la placa adaptadora.
3. Atornille la placa de montaje C verticalmente con el cáncamo de seguridad hacia arriba en un lugar adecuado de una pared que soporte el peso (4 tornillos). Utilice tornillos, tacos, etc. adecuados y asegúrese de que el montaje quede bien fijado.
4. A continuación, coloque en el soporte de la pared el altavoz con la abrazadera en U (B) montada, vuelva a colocar el tornillo D en el lugar previsto para ello y fíjelo con la tuerca retirada anteriormente.
5. Puede inclinar el altavoz verticalmente aflojando un poco la tuerca E, ajustando el ángulo deseado y volviendo a apretar la tuerca. También puede ajustar el altavoz horizontalmente aflojando un poco la tuerca F (retire primero la tapa de plástico), ajustando el ángulo deseado y volviendo a apretar la tuerca.



GSPWMBS30B (adecuado para LDEB282G3)

1. Retire los cuatro tornillos M6 (A) de la parte posterior del altavoz.
2. Afloje levemente el tornillo (E) del soporte de pared (no lo retire), afloje el tornillo (D) del brazo basculante y giratorio, retírelo y eleve la abrazadera en U con la placa adaptadora (B) sacándola del soporte. Atornille la abrazadera en U con la placa adaptadora (B) con los tornillos suministrados a la parte posterior del altavoz.
3. Atornille la placa de montaje C verticalmente con el cáncamo de seguridad hacia arriba en un lugar adecuado de una pared que soporte el peso (8 tornillos). Utilice tornillos, tacos, etc. adecuados y asegúrese de que el montaje quede bien fijado.
4. A continuación, coloque en el soporte de la pared el altavoz con la abrazadera en U montada con la placa adaptadora (B), vuelva a colocar el tornillo D en el lugar previsto para ello y fíjelo con la tuerca retirada anteriormente.
5. Puede inclinar el altavoz verticalmente aflojando un poco la tuerca E, ajustando el ángulo deseado y volviendo a apretar la tuerca. También puede ajustar el altavoz horizontalmente aflojando un poco la tuerca F (retire primero la tapa de plástico), ajustando el ángulo deseado y volviendo a apretar la tuerca.



ENGLISH

DEUTSCH

FRANÇAIS

ESPAÑOL

POLSKI

ITALIANO

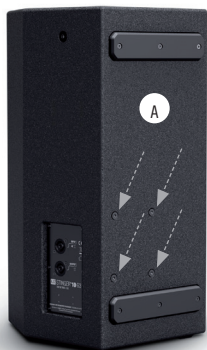
LDEB282AG3WMB1 (adecuado para LDEB282AG3)

1. Retire seis tornillos M4 (A) de la parte posterior del altavoz sacándolos de las posiciones previstas para fijar la placa adaptadora. Al hacerlo, tenga en cuenta las ranuras para la toma de salida LINE OUT y el interruptor POWER. Ahora, fije la placa adaptadora al altavoz con los tornillos M4 suministrados de forma que se pueda acceder libremente a la toma de salida LINE OUT y al interruptor POWER.
2. Afloje levemente el tornillo (E) del soporte de pared (no lo retire), afloje el tornillo (D) del brazo basculante y giratorio, retirelo y eleve la abrazadera en U (B) sacándola del soporte. Fije la abrazadera en U (B) con las tuercas suministradas a la placa adaptadora.
3. Atornille la placa de montaje C verticalmente con el cáncamo de seguridad hacia arriba en un lugar adecuado de una pared que soporte el peso (8 tornillos). Utilice tornillos, tacos, etc. adecuados y asegúrese de que el montaje quede bien fijado.
4. A continuación, coloque en el soporte de la pared el altavoz con la abrazadera en U (B) montada, vuelva a colocar el tornillo D en el lugar previsto para ello y fíjelo con la tuerca retirada anteriormente.
5. Puede inclinar el altavoz verticalmente aflojando un poco la tuerca E, ajustando el ángulo deseado y volviendo a apretar la tuerca. También puede ajustar el altavoz horizontalmente aflojando un poco la tuerca F (retire primero la tapa de plástico), ajustando el ángulo deseado y volviendo a apretar la tuerca.



LDEB102G3WMB1 (adecuado para LDEB102G3, LDEB102AG3)

1. Retire los cuatro tornillos M6 (A) de la parte posterior del altavoz.
2. Afloje levemente el tornillo (E) del soporte de pared (no lo retire), afloje el tornillo (D) del brazo basculante y giratorio, retírelo y eleve la abrazadera en U con la placa adaptadora (B) sacándola del soporte. Atornille la abrazadera en U con la placa adaptadora (B) con los tornillos suministrados a la parte posterior del altavoz.
3. Atornille la placa de montaje C verticalmente con el cáncamo de seguridad hacia arriba en un lugar adecuado de una pared que soporte el peso (4 tornillos). Utilice tornillos, tacos, etc. adecuados y asegúrese de que el montaje quede bien fijado.
4. A continuación, coloque en el soporte de la pared el altavoz con la abrazadera en U montada con la placa adaptadora (B), vuelva a colocar el tornillo D en el lugar previsto para ello y fíjelo con la tuerca retirada anteriormente.
5. Puede inclinar el altavoz verticalmente aflojando un poco la tuerca E, ajustando el ángulo deseado y volviendo a apretar la tuerca. También puede ajustar el altavoz horizontalmente aflojando un poco la tuerca F (retire primero la tapa de plástico), ajustando el ángulo deseado y volviendo a apretar la tuerca.



LDEBG3WMB1 (adecuado para LDEB122G3, LDEB122AG3, LDEB152G3, LDEB152AG3)

1. Retire los cuatro tornillos M6 (A) de la parte posterior del altavoz.
2. Afloje levemente el tornillo (E) del soporte de pared (no lo retire), afloje el tornillo (D) del brazo basculante y giratorio, retirelo y eleve la abrazadera en U con la placa adaptadora (B) sacándola del soporte. Atornille la abrazadera en U con la placa adaptadora (B) con los tornillos suministrados a la parte posterior del altavoz.
3. Atornille la placa de montaje C verticalmente con el cáncamo de seguridad hacia arriba en un lugar adecuado de una pared que soporte el peso (8 tornillos). Utilice tornillos, tacos, etc. adecuados y asegúrese de que el montaje quede bien fijado.
4. A continuación, coloque en el soporte de la pared el altavoz con la abrazadera en U montada con la placa adaptadora (B), vuelva a colocar el tornillo D en el lugar previsto para ello y fíjelo con la tuerca retirada anteriormente.
5. Puede inclinar el altavoz verticalmente aflojando un poco la tuerca E, ajustando el ángulo deseado y volviendo a apretar la tuerca. También puede ajustar el altavoz horizontalmente aflojando un poco la tuerca F (retire primero la tapa de plástico), ajustando el ángulo deseado y volviendo a apretar la tuerca.

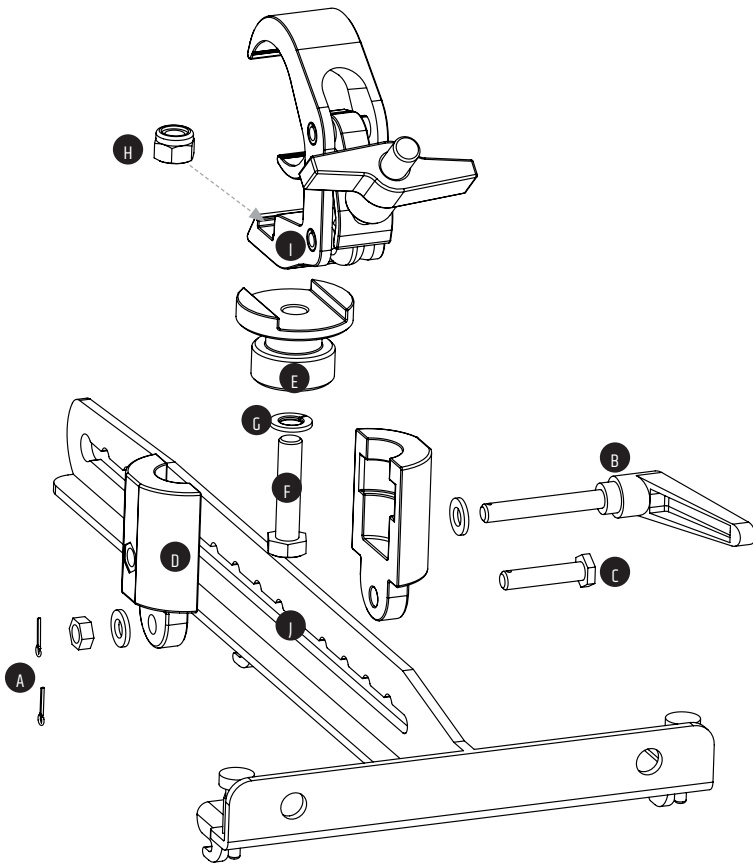


LDEBG3TMB

(adecuado para LDEB122G3, LDEB122AG3, LDEB152G3, LDEB152AG3)

ENSAMBLAJE DE LA PERCHA DE SOPORTE Y LA PINZA PARA TRAVESAÑO

1. Afloje las chavetas de seguridad (A) de los dos tornillos M8 (B, C) de la cabeza giratoria/inclinable (D) de la percha de soporte.
2. Desenrosque los dos tornillos (B, C) de la cabeza giratoria/inclinable (D), separe las dos mitades del cilindro y retire la pieza de fundición (E).
3. Ahora, utilice el tornillo M10 (F), la arandela elástica (G) y la tuerca M10 autoblocante (H) suministrados para unir la pieza de fundición (E) y la pinza para travesaño (I) con una llave de vaso de 17 mm. Coloque la pinza para travesaño en el hueco de la pieza de fundición y la tuerca autoblocante en el hueco de la pinza para travesaño. Después, introduzca el tornillo con la arandela elástica en la pinza para travesaño a través de la pieza de fundición (véase el esquema).
4. A continuación, coloque la pieza de fundición con la pinza para travesaño en una mitad de la cabeza giratoria/inclinable (D) y junte las dos mitades de forma que el tornillo M8 (C) se pueda introducir a través del agujero de montaje correspondiente de la primera mitad, a través del riel (J) de la percha de soporte y del agujero de montaje de la segunda mitad de la cabeza giratoria/inclinable cilíndrica. Coloque sobre el tornillo la arandela elástica que ha retirado antes y apriete la tuerca M8 a mano. Fije la tuerca con una de las chavetas retiradas anteriormente (A).
5. Coloque la arandela M8 sobre el tornillo de palanca M8 (B) y asegúrese de que la tuerca M8 esté correctamente situada en el hueco de la mitad correspondiente del cilindro de la cabeza giratoria/inclinable, introduzca el tornillo de palanca por las dos mitades del cilindro y apriételo. Fije el tornillo con una de las chavetas de seguridad retiradas anteriormente (A).



ENGLISH

DEUTSCH

FRANÇAIS

ESPAÑOL

POLSKI

ITALIANO

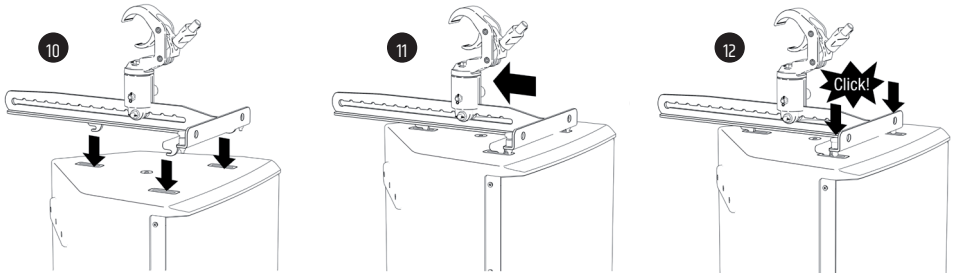
DESCRIPCIÓN DE PIEZAS Y MONTAJE

- 1 Pinza de travesaño para colgar en un travesaño instalado horizontalmente.
- 2 Tuerca de mariposa para fijar en un travesaño.
- 3 Tornillo de muletilla para fijar los ejes de giro horizontal y vertical.
- 4 Riel de sujeción con ranuras de encaje para ajustar la dirección vertical de dispersión del altavoz.
- 5 Perno de fijación.
- 6 Mecanismo de giro para ajustar la dirección horizontal de dispersión del altavoz.
- 7 Tres ganchos de acero que se enganchan en las ranuras de fijación de la parte superior del altavoz.
- 8 Dos pernos de bloqueo con resorte para fijar la unión.
- 9 Agujeros de montaje para una instalación alternativa del altavoz utilizando cadenas.

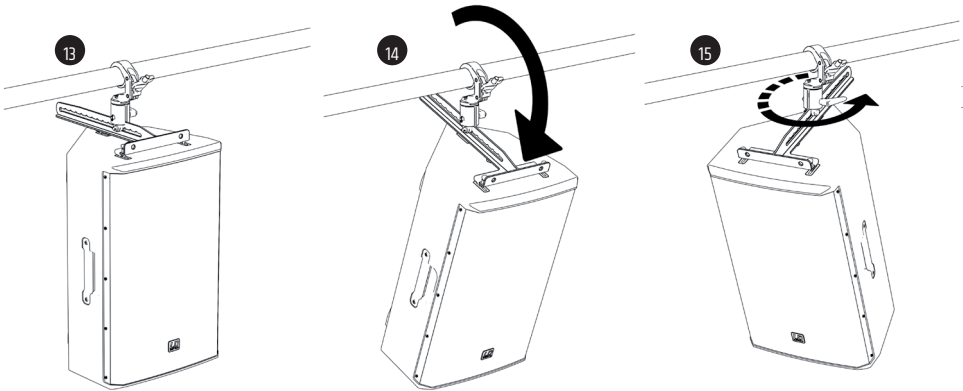
Nota importante: Antes de cada montaje, compruebe que todos los componentes de la percha estén completos, que no presenten daños y que funcionen correctamente (chavetas para tornillos, tornillos, tuercas, pernos de bloqueo, ganchos de acero, ranuras de fijación en el altavoz, etc.). En caso de que alguno de los componentes de la percha esté dañado, falte o no funcione correctamente, no se debe utilizar dicha percha.



- 10** Introduzca los tres ganchos de acero de la percha EasyMount en las ranuras de fijación correspondientes del altavoz.
- 11** Deslice toda la percha hacia la parte posterior del altavoz.
- 12** Durante el montaje de la percha, asegúrese de que los pernos de bloqueo de seguridad con resorte encajen completamente en su sitio. Compruebe que los pernos de bloqueo funcionen correctamente antes de cada montaje. Para soltar la unión, por motivos de seguridad se debe tirar hacia arriba de ambos pernos de bloqueo a la vez (desbloqueo con las dos manos).



- 13** Antes de colgar el altavoz en un travesaño, apriete el tornillo de muletilla de la percha n.º 3. Cuelgue el altavoz con ayuda de la pinza de travesaño n.º 1 en un travesaño instalado horizontalmente en un lugar adecuado y fíjelo con la tuerca de mariposa n.º 2.
- 14** Afloje un poco el tornillo de muletilla n.º 3 (aprox. 1 vuelta). Para ajustar la dirección vertical de dispersión del altavoz, eleve ligeramente el altavoz y coloque el riel de soporte en la posición correspondiente a la inclinación deseada con las ranuras de encaje n.º 4. Deje que el perno de fijación n.º 5 encaje en la ranura correspondiente soltando el altavoz.
- 15** A continuación, gire el altavoz hasta alcanzar la dirección de dispersión horizontal deseada y apriete el tornillo de muletilla n.º 3.



LDEB82G3CP

(adecuado para LDEB82G3, LDEB82AG3, LDEB102G3, LDEB102AG3)

- 1 Pinza de travesaño con tornillo de muletilla ajustable y brida para el perno de fijación (solo para el montaje en travesaños instalados horizontalmente).
- 2 Perno de fijación con rosca M10 y rosca de mariposa.
- 3 Adaptador para el montaje de la pinza en tubos cuadrados.



- 4 Retire el tornillo M10 de la parte superior del altavoz.
- 5 Retire la tuerca de mariposa M10 del perno de fijación (n.º 2) y enrósquelo hasta el tope en la rosca M10 en la parte superior del altavoz.
- 6 Fije la pinza de travesaño con el tornillo de muletilla ajustable en un lugar adecuado de un travesaño y asegúrese de que quede bien fija.
- 7 Afloje el tornillo de seguridad hasta que quede libre la brida para el perno de fijación situada en la parte inferior de la pinza (no retire el tornillo).
- 8 Empuje el perno de bloqueo con resorte en el lado de la pinza para introducirlo en la carcasa hasta que quede libre la brida para el perno de fijación situada en la parte inferior de la pinza e introduzca el perno hasta el tope en la brida. Deje de presionar el perno de bloqueo y sujete el altavoz hasta que esté seguro de que el perno de fijación está completamente encajado. Gire el altavoz en la dirección de dispersión deseada y, a continuación, fije la unión apretando el tornillo de seguridad n.º 7.



DATOS TÉCNICOS

Nombre del modelo:	LDEB82G3WMB	LDEB102G3WMB
Tipo:	Accesorios para altavoces de PA	Accesorios para altavoces de PA
Pieza:	Soporte para montaje en pared/techo	Soporte para montaje en pared/techo
Adecuado para:	LDEB82G3, LDEB82AG3	LDEB102G3, LDEB102AG3
Material:	Acero	Acero
Superficie:	Recubrimiento de pintura en polvo	Recubrimiento de pintura en polvo
Color:	Negro	Negro
Máx. carga	12 kg	15 kg
Dimensiones (Ancho × Alto × P):	60 x 460 x 170 mm	60 x 535 x 170 mm
Peso:	1,1 kg	1,2 kg

Nombre del modelo:	LDEB282G3WMB	LDEB3G3WMB
Tipo:	Accesorios para altavoces de PA	Accesorios para altavoces de PA
Pieza:	Soporte para montaje en pared/techo	Soporte para montaje en pared
Adecuado para:	LDEB282G3, LDEB282AG3	LDEB122G3, LDEB122AG3 LDEB152G3, LDEB152AG3
Material:	Acero	Acero
Superficie:	Recubrimiento de pintura en polvo	Recubrimiento de pintura en polvo
Color:	Negro	Negro
Máx. carga	21 kg	28 kg
Dimensiones (Ancho × Alto × P):	60 x 763 x 170 mm	550 x 90 x 308 mm
Peso:	1,5 kg	3,5 kg

Nombre del modelo:	LDEB82G3WMB1	LDEB82AG3WMB1
Tipo:	Accesorios para altavoces de PA	Accesorios para altavoces de PA
Pieza:	Soporte para montaje en pared	Soporte para montaje en pared
Adecuado para:	LDEB82G3	LDEB82AG3
Material:	Acero	Acero
Superficie:	Recubrimiento de pintura en polvo	Recubrimiento de pintura en polvo
Color:	Negro	Negro
Máx. carga	20 kg	11 kg
Dimensiones (Ancho × Alto × P):	100 x 157 x 109 mm	130 x 157 x 122 mm
Peso:	1,2 kg	2,2 kg

Nombre del modelo:	GSPWMB30B	LDEB282AG3WMB1
Tipo:	Accesorios para altavoces de PA	Accesorios para altavoces de PA
Pieza:	Soporte para montaje en pared	Soporte para montaje en pared
Adecuado para:	LDEB282G3	LDEB282AG3
Material:	Acero	Acero
Superficie:	Recubrimiento de pintura en polvo	Recubrimiento de pintura en polvo
Color:	Negro	Negro

Máx. carga	30 kg	21 kg
Dimensiones (Ancho × Alto × P):	120 x 220 x 160 mm	130 x 220 x 173 mm
Peso:	1,8 kg	3,3 kg

Nombre del modelo:	LDEB102G3WMB1	LDEBG3WMB1
Tipo:	Accesorios para altavoces de PA	Accesorios para altavoces de PA
Pieza:	Soporte para montaje en pared	Soporte para montaje en pared
Adecuado para:	LDEB102G3, LDEB102AG3	LDEB122G3, LDEB122AG3 LDEB152G3, LDEB152AG3
Material:	Acero	Acero
Superficie:	Recubrimiento de pintura en polvo	Recubrimiento de pintura en polvo
Color:	Negro	Negro
Máx. carga	20 kg	30 kg
Dimensiones (Ancho × Alto × P):	100 x 157 x 160 mm	120 x 220 x 160 mm
Peso:	1,4 kg	1,8 kg

Nombre del modelo:	LDEBG3TMB	LDEBG3SCP
Tipo:	Accesorios para altavoces de PA	Accesorios para altavoces de PA
Pieza:	Soporte de montaje en travesaño	Soporte de montaje en travesaño
Adecuado para:	LDEB122G3, LDEB122AG3 LDEB152G3, LDEB152AG3	LDEB82G3, LDEB82AG3 LDEB102G3, LDEB102AG3
Material:	Acero/zinc	Aluminio/latón
Superficie:	Recubrimiento de pintura en polvo	Recubrimiento de pintura en polvo/sin recubrimiento
Color:	Negro	Negro/latón
Máx. carga	28 kg	20 kg
Dimensiones (Ancho × Alto × P):	230 x 240 x 430 mm	57 x 136 x 118 mm
Peso:	3 kg	0,564 kg

DECLARACIÓN DEL FABRICANTE

GARANTÍA DEL FABRICANTE Y LIMITACIÓN DE RESPONSABILIDAD

Consulte nuestras condiciones de garantía y limitaciones de responsabilidad en: https://cdn-shop.adamhall.com/media/pdf/MANUFACTURERS-DECLARATIONS_LD_SYSTEMS.pdf. En caso de necesitar servicio técnico, póngase en contacto con Adam Hall GmbH, Adam-Hall-Str. 1, 61267 Neu Anspach (Alemania); correo electrónico info@adamhall.com; +49 (0)6081 / 9419-0.



ELIMINACIÓN CORRECTA DE ESTE PRODUCTO

(Aplicable en la Unión Europea y en los países europeos que dispongan de un sistema de recogida selectiva) El símbolo que aparece sobre el producto o en la documentación adjunta indica que al final de la vida útil del equipo, no deberá desecharlo con los demás residuos domésticos, con el fin de evitar posibles efectos negativos en el medio ambiente y en la salud humana debidos al vertido incontrolado de desechos. La recogida selectiva ayuda a su posterior reciclaje y fomenta la reutilización sostenible de los componentes de este equipo. Si es un particular, póngase en contacto con el distribuidor donde adquirió este producto, o con el ayuntamiento, para informarse sobre el reciclaje adecuado de este equipo. Si es una empresa, póngase en contacto con su proveedor para informarse sobre los términos y condiciones de su contrato de compra-venta. Este producto no debe mezclarse con otros residuos industriales.

Conformidad CE

Adam Hall GmbH declara por la presente que este producto es conforme con las siguientes directivas (según sea aplicable):

R&TTE (1999/5/CE) o RED (2014/53/UE) a partir de junio de 2017

Directiva de baja tensión (2014/35/UE)

Directiva EMC (2014/30/UE)

RoHS (2011/65/UE)

Puede consultar la declaración de conformidad completa en www.adamhall.com.

También puede solicitarla a info@adamhall.com.

GRATULUJEMY WYBORU!

To urządzenie zostało zaprojektowane i wyprodukowane przy zastosowaniu najwyższych kryteriów jakościowych w celu zapewnienia wieloletniej bezawaryjnej eksploatacji. Firma LD Systems gwarantuje to swoją marką i wieloletnim doświadczeniem w wytwarzaniu wysokiej jakości produktów audio. Proszę starannie przeczytać niniejszą instrukcję obsługi, aby móc jak najszybciej zacząć użytkować ten produkt marki LD Systems. Dalsze informacje na temat firmy **LD SYSTEMS** dostępne są na naszej stronie internetowej WWW.LD-SYSTEMS.COM

ŚRODKI OSTROŻNOŚCI

1. Należy dokładnie przeczytać niniejszą instrukcję.
2. Wszystkie informacje i instrukcje przechowywać w bezpiecznym miejscu.
3. Należy przestrzegać zaleceń.
4. Należy przestrzegać wszystkich wskazań i ostrzeżeń ostrzegawczych. Nie wolno usuwać wskazań bezpieczeństwa ani innych informacji znajdujących się na urządzeniu.
5. Używać urządzenia wyłącznie w sposób zgodny z jego przeznaczeniem.
6. Stosować wyłączanie stabilnie i pasujące statywy, ew. elementy mocujące (w przypadku instalacji stałych). Należy zadbać o prawidłową instalację uchwytych ściennych i ich odpowiednie zabezpieczenie. Zapewnić bezpieczną instalację urządzenia i upewnić się, że urządzenie nie spadnie.
7. Podczas instalacji przestrzegać obowiązujących w danym kraju przepisów bezpieczeństwa.
8. Urządzenie instalować i eksploatować z dala od grzejników, zasobników ciepła, pieców i innych źródeł ciepła. Zadbać o zainstalowanie urządzenia w taki sposób, aby zawsze było ono wystarczająco chłodzone i nie mogło ulec przegrzaniu.
9. Nie umieszczać na urządzeniu źródeł zapłonu, takich jak np. palące się świece.
10. Nie wolno blokować szczelin wentylacyjnych. Unikać bezpośredniego działania promieni słonecznych!
11. Zachować odległość co najmniej 20 cm wokół i nad urządzeniem.
12. Nie używać urządzenia w bezpośrednim sąsiedztwie wody (nie dotyczy specjalnych urządzeń do stosowania na zewnątrz – w takim przypadku należy przestrzegać podanych poniżej wskazań specjalnych). Urządzenie nie może mieć kontaktu z palnymi materiałami, płynami ani gazami.
13. Zabezpieczyć urządzenie przed wniknięciem kapiącej lub pryskającej wody. Nie wolno stawiać na urządzeniu pojemników napełnionych płynami, takich jak wazon czy naczynia z pićmi.
14. Należy zadbać o to, aby do urządzenia nie wpadały żadne przedmioty.
15. Urządzenie można eksploatować tylko przy użyciu akcesoriów zalecanych i przewidzianych przez producenta.
16. Nie otwierać urządzenia ani nie dokonywać w nim zmian.
17. Po podłączeniu urządzenia sprawdzić wszystkie ciągi kablowe, aby zapobiec szkodom lub wypadkom np. w wyniku potknięcia.
18. Podczas transportu zadbać o to, aby urządzenie nie upadło, gdyż może to spowodować uszkodzenie mienia i obrażenia ciała.
19. Jeśli urządzenie nie działa prawidłowo, do jego wnętrza dostały się płyny lub przedmioty lub jeśli urządzenie zostało uszkodzone w inny sposób, należy je natychmiast wyłączyć i odłączyć od gniazda sieciowego (jeśli urządzenie jest aktywne). Naprawę takiego urządzenia może wykonać tylko autoryzowany personel specjalistyczny.
20. Do czyszczenia urządzenia stosować suchą ściereczkę.
21. Przestrzegać obowiązujących w danym kraju przepisów dotyczących usuwania odpadów. Podczas utylizacji opakowania oddzielić tworzywo sztuczne od papieru i tektury.
22. Worki z tworzywa sztucznego należy przechowywać w miejscu niedostępnym dla dzieci.
23. Wszelkie zmiany czy modyfikacje urządzeń, które nie zostały wyraźnie zatwierdzone przez stronę odpowiedzialną za zgodność, mogą spowodować utratę przez użytkownika prawa do posługiwania się tym sprzętem.

DOTYCZY URZĄDZEŃ Z ZASILANIEM SIECIOWYM

24. UWAGA: jeśli kabel sieciowy urządzenia jest wyposażony w zestyk ochronny, należy go podłączyć do gniazda z przewodem uziemiającym. Nigdy nie wolno dezaktywować przewodu uziemiającego kabla sieciowego.
25. Nie włączać urządzenia bezpośrednio po narażeniu go na silne wahanie temperatury (np. po transporcie). Wilgoć i skropliny mogą uszkodzić urządzenie. Włączyć urządzenie dopiero wtedy, gdy osiągnie temperaturę pokojową.
26. Przed podłączeniem urządzenia do gniazda elektrycznego należy sprawdzić, czy napięcie i częstotliwość sieci elektrycznej odpowiada wartościom podanym na urządzeniu. Jeśli urządzenie jest wyposażone w przełącznik napięcia, należy podłączyć je do gniazda tylko wówczas, gdy wartości urządzenia odpowiadają wartościom sieci elektrycznej. Jeśli dołączony kabel sieciowy lub dołączony adapter sieciowy nie pasuje do gniazda elektrycznego, należy skontaktować się z elektrykiem.
27. Nie stawiać na kablu sieciowym. Należy zadbać o to, aby kable przewodzące napięcie nie były zagięte przy gnieździe sieciowym, przy adapterze sieciowym ani przy gnieździe urządzenia.
28. Przy podłączaniu urządzenia zawsze należy zadbać o to, aby kabel sieciowy lub adapter sieciowy był zawsze łatwo dostępny. Odłączyć urządzenie od źródła zasilania, gdy nie jest ono używane lub gdy ma zostać poddane czyszczeniu. Zawsze należy wyjmować kabel sieciowy i adapter sieciowy z gniazda, chwytając za wtyczkę lub adapter, a nie za kabel. Nigdy nie dotykać kabla sieciowego i adaptera sieciowego mokrymi dłońmi.
29. W miarę możliwości nie włączać i wyłączać urządzenia w krótkich odstępach czasu, gdyż może to mieć negatywny wpływ na jego żywotność.
30. WAŻNA INFORMACJA: bezpieczniki należy wymieniać wyłącznie na bezpieczniki tego samego typu i o takich samych wartościach. Jeśli bezpiecznik stale się przepala, należy skontaktować się z autoryzowanym centrum serwisowym.
31. Aby całkowicie odłączyć urządzenie od sieci, należy wyjąć kabel sieciowy lub adapter sieciowy z gniazda.
32. Jeśli urządzenie jest wyposażone w przyłącze sieciowe Volex, konieczne jest odblokowanie odpowiedniej wtyczki urządzenia Volex, zanim będzie możliwe jej odłączenie. Oznacza to także, iż w wyniku pociągnięcia za kabel urządzenie może się przesunąć i spaść, co może spowodować obrażenia ciała i/lub inne szkody, dlatego ważne jest, aby przewody były odpowiednio poprowadzone.
33. W przypadku zagrożenia uderzeniem pioruna lub jeśli urządzenie przez dłuższy czas nie jest używane, należy wyjąć kabel sieciowy i adapter sieciowy z gniazda.

**UWAGA:**

Nigdy nie zdejmować pokrywy, gdyż grozi to porażeniem prądem. We wnętrzu urządzenia nie ma żadnych części, które mogłyby zostać naprawione bądź poddane czynnościom konserwacyjnym przez użytkownika. Czynnności konserwacyjne i naprawy może przeprowadzać wyłącznie wykwalifikowany personel serwisowy.



Trójkąt równoboczny z symbolem błyskawicy sygnalizuje nieizolowane, niebezpieczne napięcie we wnętrzu urządzenia, które może spowodować porażenie prądem.



Trójkąt równoboczny z wykrzyknikiem oznacza ważne wskazówki dotyczące obsługi i konserwacji.



Ostrzeżenie! Ten symbol ostrzega przed gorącymi powierzchniami. Podczas użytkowania niektóre elementy mogą się nagrzać. Urządzenie nie można dotykać lub transportować dopiero po jego ostygnięciu (po odczekaniu co najmniej 10 minut).



Ostrzeżenie! To urządzenie przeznaczone jest do użytku do maksymalnej wysokości 2000 m n.p.m.



Ostrzeżenie! To urządzenie nie jest przewidziane do użytku w tropikalnych strefach klimatycznych.

UWAGA! WYSOKI POZIOM GŁOŚNOŚCI PRODUKTÓW AUDIO!

To urządzenie przewidziane jest do zastosowań profesjonalnych. Komercyjne stosowanie tego urządzenia podlega obowiązującym w danym kraju przepisom i wytycznym dotyczącym zapobiegania wypadkom. Firma Adam Hall jest jako producent zobowiązana do wyraźnego informowania o potencjalnym zagrożeniu dla zdrowia. Utrata słuchu w wyniku wysokiego poziomu głośności i długotrwałego narażenia: podczas stosowania tego produktu może powstać wysoki poziom ciśnienia akustycznego (SPL), który może doprowadzić do nieodwracalnego uszkodzenia słuchu u artystów, pracowników i widzów. Należy unikać długotrwałego narażenia na wysoki poziom głośności powyżej 90 dB.

Ważna wskazówka: Przed każdym montażem należy sprawdzić wszystkie elementy zestawu instalacyjnego w celu zapewnienia kompletności, braku uszkodzeń i prawidłowego działania (zawlecarki do śrub, śruby, nakrętki, kołki blokujące, haki stalowe, tuleje i gwinty do mocowań głośnika itp.). Jeśli jakiś element montażowy jest uszkodzony, czegoś brakuje lub coś nie działa prawidłowo, nie należy używać tego wyposażenia.

Z tyłu głośnika znajduje się gwint M8 do zamocowania dodatkowego zabezpieczenia.

PRZEGLĄD

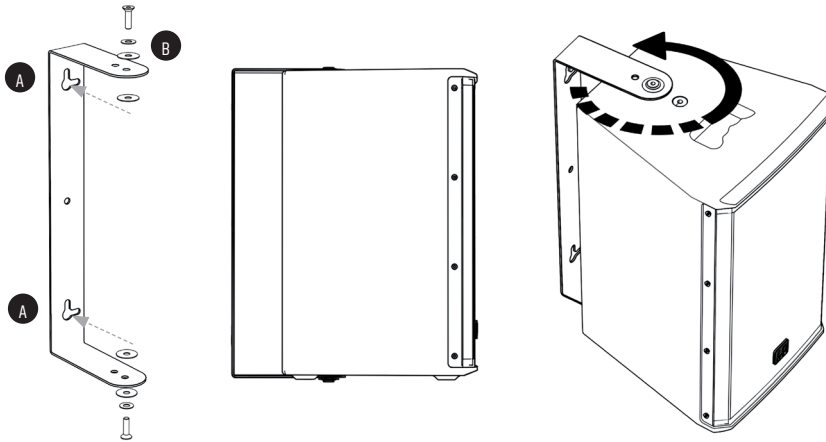
Numer artykułu	Odpowiednie do		Montaż	Rodzaj konstrukcji
LDEB82G3WMB	LDEB82G3	LDEB82AG3	Ścienny i sufitowy	
LDEB102G3WMB	LDEB102G3	LDEB102AG3		
LDEB282G3WMB	LDEB282G3	LDEB282AG3		
LDEBG3WMB	LDEB122G3	LDEB122AG3	Ścienny	
	LDEB152G3	LDEB152AG3		
LDEB82G3WMB1	LDEB82G3		Ścienny	
LDEB82AG3WMB1	LDEB82AG3		Ścienny	
GSPWMB530B	LDEB282G3		Ścienny	
LDEB282AG3WMB1	LDEB282AG3		Ścienny	
LDEB102G3WMB1	LDEB102G3	LDEB102AG3	Ścienny	
LDEBG3WMB1	LDEB122G3	LDEB122AG3	Ścienny	
	LDEB152G3	LDEB152AG3		
LDEBG3TMB	LDEB122G3	LDEB122AG3	Na trawersie	
	LDEB152G3	LDEB152AG3		
LDEBG3SCP	LDEB82G3	LDEB82AG3	Na trawersie	
	LDEB102G3	LDEB102AG3		

LDEB82G3WMB (odpowiedni do LDEB82G3, LDEB82AG3)

LDEB102G3WMB (odpowiedni do LDEB102G3, LDEB102AG3)

LDEB282G3WMB (odpowiedni do LDEB282G3, LDEB282AG3)

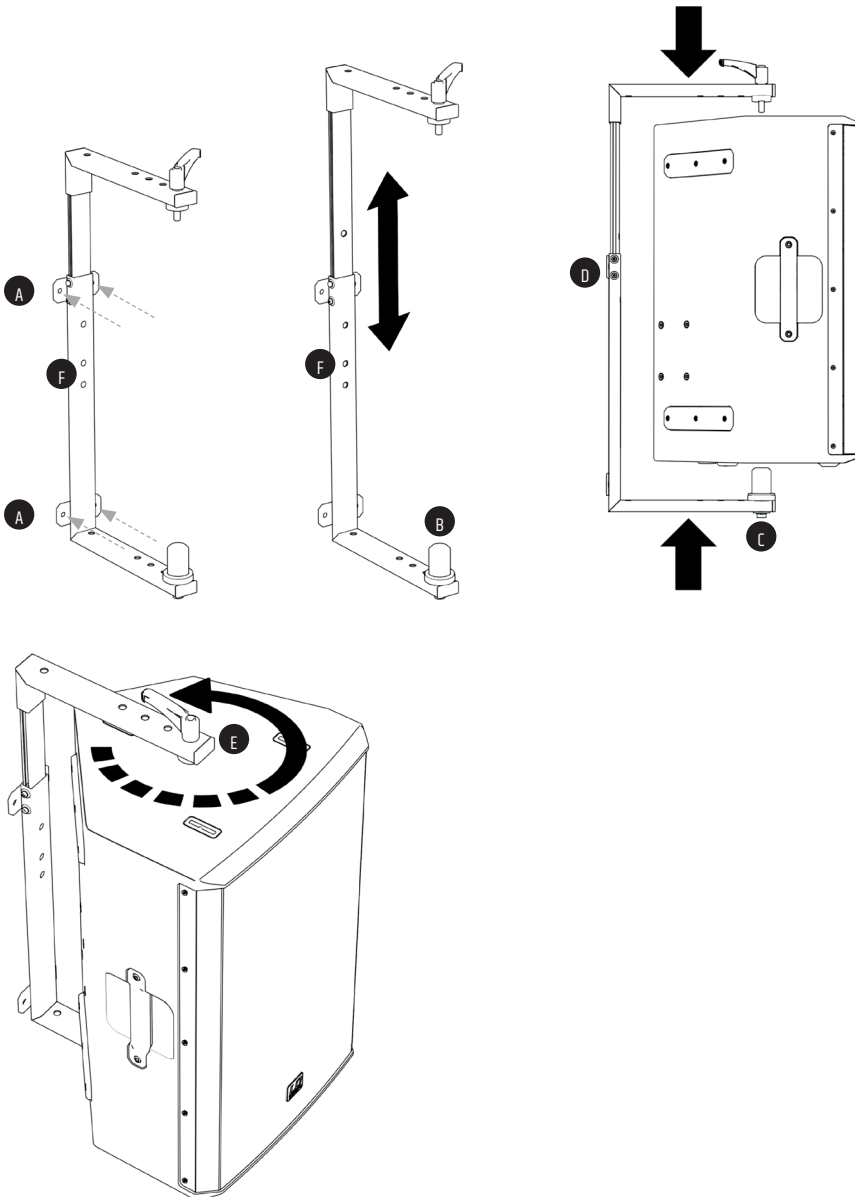
Przykręć uchwyt U do wybranego głośnika Stinger G3, odpowiednio do ściany lub sufitu (A). Użyj do tego odpowiednich śrub, kołków itp. Upewnij się, że szyna została solidnie zamocowana. Wyjmij śruby M8 z góry i z dołu głośnika oraz unieś głośnik do wspornika tak, aby gwintowane śruby i otwory znalazły się w odpowiednim położeniu. Użyj dostarczonych śrub M8 i podkładek, jak pokazano na rysunku poniżej (B, umieść podkładki gumowe między wspornikiem a głośnikiem), ustaw żądany kierunek wiązki świetlnej i dokręć śruby odpowiednim narzędziem (C).



LDEB3WMB

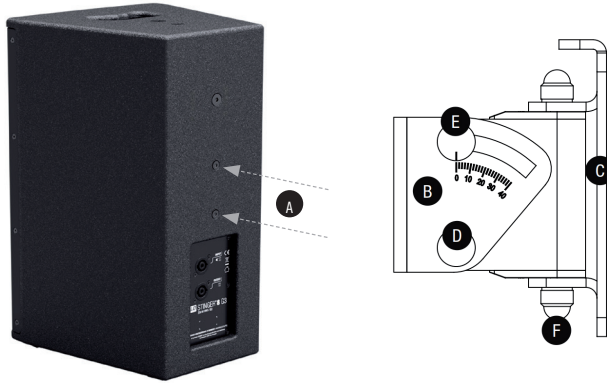
(odpowiedni do LDEB122G3, LDEB122AG3, LDEB152G3, LDEB152AG3)

Przykręć uchwyt U o zmiennym rozmiarze dożądanego miejsca, odpowiednio do ściany (A). Użyj do tego odpowiednich śrub, kołków itp. Upewnij się, że szyna została solidnie zamocowana. Śruba mocująca 35 mm musi być przymocowana do wspornika w jednej z czterech odległości od ściany, wybierz pozycję odpowiednią dla głośnika i zastosowania i wkręć śrubę do wspornika (B, dostarczony pierścień gumowy na śrubie mocującej). Wyjmij śruby M10 z górnej części głośnika oraz unieś głośnik do wspornika tak, aby śruby 35 mm z łbem do wkrętów połączyły z kołnierzem statywu pod kątem 0° do głośnika (C). Ustaw regulowaną stronę wspornika tak, aby dopasować ją do rozmiaru głośnika i zablokować dwoma śrubami po bokach wspornika (D). Dokręć głośnik do uchwytu pod żądanym kątem za pomocą dołączonej śruby M10 (E, umieść dostarczoną płytkę gumową między wspornikiem a głośnikiem, do trwałego montażu zastosuj wkręt sześciokątny M10).

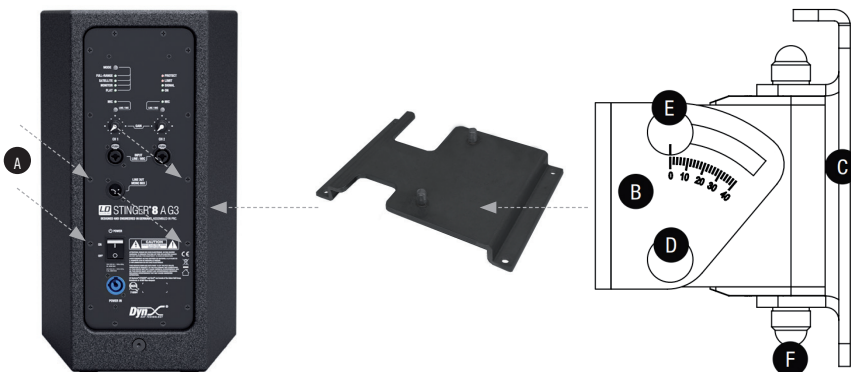


LDEB82G3WMB1 (odpowiedni do LDEB82G3)

1. Wyjmij dwie śruby M6 z tyłu głośnika.
2. Poluzuj lekko śrubę E wspornika ściennego (nie wyjmuj jej), poluzuj śrubę D z ramienia pochylnego i obrotowego, zdejmij uchwyt U ze wspornika. Użyj dołączonych śrub, aby zamocować wspornik U z tyłu głośnika.
3. Dokręć płytkę montażową C przez ucha zabezpieczające ku górze w odpowiednim miejscu, prostopadłe do ściany (4 śrubami). Użyj odpowiednich śrub, kołków itp. Upewnij się, że szyna została solidnie zamocowana.
4. Teraz umieść głośnik z zamontowanym wspornikiem U na uchwycie na ścianie, włóż śrubę D w wyznaczonej pozycji i dokręć ją za pomocą uprzednio usuniętej nakrętki.
5. Można pochylić głośnik w pionie, delikatnie poluzować nakrętkę E, dostosować żądany kąt i ponownie dokręcić nakrętkę. Do zmiany ustawienia głośnika w poziomie służy śruba F – poluzuj nakrętkę (najpierw zdejmij plastikową nakładkę), ustaw odpowiedni kąt i ponownie dokręć nakrętkę.

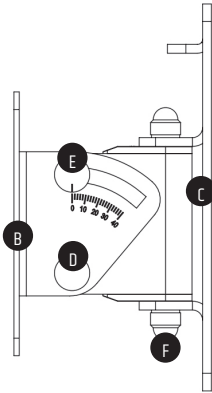
**LDEB82G3WMB1** (odpowiedni do LDEB82G3)

1. Wyjmij cztery śruby M4 A z tyłu głośnika z miejsc, które służą do mocowania płyty adaptera. Upewnij się, że otwory gniazd wyjściowych LINE OUT i przełącznika POWER są zamaskowane. Użyj dostarczonych śrub M4 do mocowania płyty adaptera do głośnika w taki sposób, aby gniazdo LINE OUT i przełącznik POWER były dostępne.
2. Poluzuj lekko śrubę E wspornika ściennego (nie wyjmuj jej), poluzuj śrubę D z ramienia pochylnego i obrotowego, zdejmij uchwyt U ze wspornika. Przykręć wspornik (B) do płyty adaptera za pomocą dołączonych nakrętek.
3. Dokręć płytkę montażową C przez ucha zabezpieczające ku górze w odpowiednim miejscu, prostopadłe do ściany (4 śrubami). Użyj odpowiednich śrub, kołków itp. Upewnij się, że szyna została solidnie zamocowana.
4. Teraz umieść głośnik z zamontowanym wspornikiem U na uchwycie na ścianie, włóż śrubę D w wyznaczonej pozycji i dokręć ją za pomocą uprzednio usuniętej nakrętki.
5. Można pochylić głośnik w pionie, delikatnie poluzować nakrętkę E, dostosować żądany kąt i ponownie dokręcić nakrętkę. Do zmiany ustawienia głośnika w poziomie służy śruba F – poluzuj nakrętkę (najpierw zdejmij plastikową nakładkę), ustaw odpowiedni kąt i ponownie dokręć nakrętkę.



GSPWMBS30B (odpowiedni do LDEB282G3)

1. Wyjmij cztery śruby M6 z tyłu głośnika.
2. Poluzuj lekko śrubę E wspornika ściennego (nie wyjmuj), odkręć śrubę D z ramienia uchylno-obrotowego, zdejmij i podnieś wspornik U z płytą montażową B z uchwytu. Do zamocowania wspornika U z płytą montażową z tyłu wspornika należy użyć dołączonych śrub.
3. Dokręć płytkę montażową C przez ucha zabezpieczające ku górze w odpowiednim miejscu, prostopadłe do ściany (8 śrubami). Użyj odpowiednich śrub, kołków itp. Upewnij się, że szyna została solidnie zamocowana.
4. Teraz umieść głośnik z zamontowanym wspornikiem U i płytą montażową B na uchwycie na ścianie, ponownie włóż śrubę D w wyznaczonej pozycji i dokręć ją do uprzednio usuniętych nakrętek.
5. Można pochylić głośnik w pionie, delikatnie poluzować nakrętkę E, dostosować żądany kąt i ponownie dokręcić nakrętkę. Do zmiany ustawienia głośnika w poziomie służy śruba F – poluzuj nakrętkę (najpierw zdejmij plastikową nakładkę), ustaw odpowiedni kąt i ponownie dokręć nakrętkę.



ENGLISH

DEUTSCH

FRANÇAIS

ESPAÑOL

POLSKI

ITALIANO

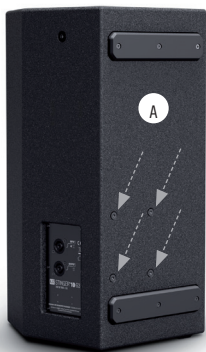
LDEB282AG3WMB1 (odpowiedni do LDEB282AG3)

1. Wyjmij sześć śrub M4 A z tyłu głośnika z miejsc, które służą do mocowania płyty adaptera. Upewnij się, że otwory gniazd wyjściowych LINE OUT i przełącznika POWER są zamaskowane. Użyj dostarczonych śrub M4 do mocowania płyty adaptera do głośnika w taki sposób, aby gniazdo LINE OUT i przełącznik POWER były dostępne.
2. Poluzuj lekko śrubę E wspornika ściennego (nie wyjmuj jej), poluzuj śrubę D z ramienia pochylnego i obrotowego, zdejmij uchwyt U ze wspornika. Przykręć wspornik U (B) do płyty adaptera za pomocą dołączonych nakrętek.
3. Dokręć płytkę montażową C przez ucha zabezpieczające ku górze w odpowiednim miejscu, prostopadłe do ściany (8 Śrubami). Użyj odpowiednich śrub, kołków itp. Upewnij się, że szyna została solidnie zamocowana.
4. Teraz umieść głośnik z zamontowanym wspornikiem U na uchwycie na ścianie, włóż śrubę D w wyznaczonej pozycji i dokręć ją za pomocą uprzednio usuniętej nakrętki.
5. Można pochylić głośnik w pionie, delikatnie poluzować nakrętkę E, dostosować żądany kąt i ponownie dokręcić nakrętkę. Do zmiany ustawienia głośnika w poziomie służy śruba F – poluzuj nakrętkę (najpierw zdejmij plastikową nakładkę), ustaw odpowiedni kąt i ponownie dokręć nakrętkę.



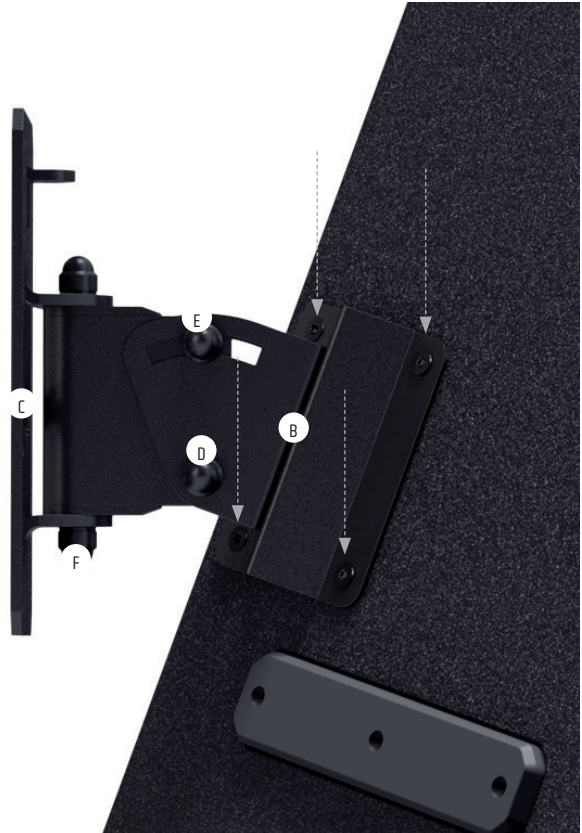
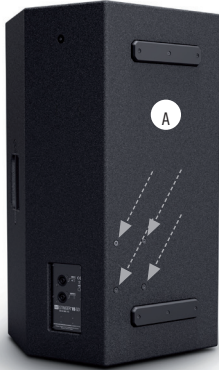
LDEB102G3WMB1 (odpowiedni do LDEB102G3, LDEB102AG3)

1. Wyjmij cztery śruby M6 z tyłu głośnika.
2. Poluzuj lekko śrubę E wspornika ściennego (nie wyjmuj), odkręć śrubę D z ramienia uchylno-obrotowego, zdejmij i podnieś wspornik U z płytą montażową B z uchwytu. Do zamocowania wspornika U z płytą montażową z tyłu wspornika należy użyć dołączonych śrub.
3. Dokręć płytkę montażową C przez ucha zabezpieczające ku górze w odpowiednim miejscu, prostopadłe do ściany (4 śrubami). Użyj odpowiednich śrub, kołków itp. Upewnij się, że szyna została solidnie zamocowana.
4. Teraz umieść głośnik z zamontowanym wspornikiem U i płytą montażową B na uchwycie na ścianie, ponownie włóż śrubę D w wyznaczonej pozycji i dokręć ją do uprzednio usuniętych nakrętek.
5. Można pochylić głośnik w pionie, delikatnie poluzować nakrętkę E, dostosować żądany kąt i ponownie dokręcić nakrętkę. Do zmiany ustawienia głośnika w poziomie służy śruba F – poluzuj nakrętkę (najpierw zdejmij plastikową nakładkę), ustaw odpowiedni kąt i ponownie dokręć nakrętkę.



LDEB3WMB1 (odpowiedni do LDEB122G3, LDEB122AG3, LDEB152G3, LDEB152AG3)

1. Wyjmij cztery śruby M6 z tyłu głośnika.
2. Poluzuj lekko śrubę E wspornika ściennego (nie wyjmuj), odkręć śrubę D z ramienia uchylno-obrotowego, zdejmij i podnieś wspornik U z płytą montażową B z uchwytu. Do zamocowania wspornika U z płytą montażową z tyłu wspornika należy użyć dołączonych śrub.
3. Dokręć płytkę montażową C przez ucha zabezpieczające ku górze w odpowiednim miejscu, prostopadłe do ściany (8 śrubami). Użyj odpowiednich śrub, kołków itp. Upewnij się, że szyna została solidnie zamocowana.
4. Teraz umieść głośnik z zamontowanym wspornikiem U i płytą montażową B na uchwycie na ścianie, ponownie włóż śrubę D w wyznaczonej pozycji i dokręć ją do uprzednio usuniętych nakrętek.
5. Można pochylić głośnik w pionie, delikatnie poluzować nakrętkę E, dostosować żądany kąt i ponownie dokręcić nakrętkę. Do zmiany ustawienia głośnika w poziomie służy śruba F – poluzuj nakrętkę (najpierw zdejmij plastikową nakładkę), ustaw odpowiedni kąt i ponownie dokręć nakrętkę.

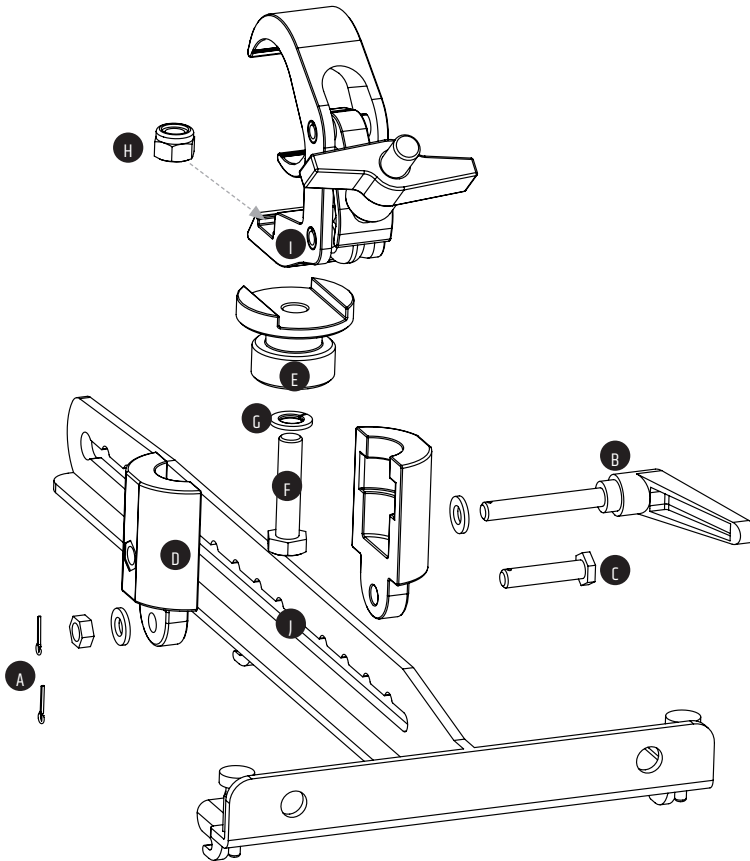


LDEBG3TMB

(odpowiedni do LDEB122G3, LDEB122AG3, LDEB152G3, LDEB152AG3)

ZESPÓŁ PALĄKA MONTAŻOWEGO I ZACISKU KRATOWNICY

1. Należy odkręcić sworznie blokujące (A) z dwóch śrub M8 (B, C) w cylindrycznej głowicy uchylno-obrotowej (D) uchwytu mocującego.
2. Odkręcić obie śruby (B, C) z głowicy obrotowej/ uchylnej (D), rozdzielić obie połówki cylindra i zdjąć odlew (E).
3. Następnie za pomocą śruby M10 (F), podkładki sprężynowej (G) i nakrętki samoblokującej M10 (H) zamocować trwale odlew (E) do zacisku kratownicy (I) za pomocą klucza nasadowego 17 mm. Włożyć zacisk kratownicy do wgłębienia odlewu, nakrętkę samoblokującą do wgłębienia w zacisku kratownicy i poprowadzić śrubę wraz z podkładką sprężynową przez odlew do zacisku kratownicy (zobacz rysunek).
4. Następnie umieścić odlew wraz z zaciskiem kratownicy w połowie głowicy uchylno-obrotowej (D) i razem ustawić obie połówki w taki sposób, aby śruba M8 (C) mogła być wprowadzona przez odpowiedni otwór montażowy w jednej połowie, przez szynę uchwytu mocującego (J) i przez otwór montażowy drugiej połowy cylindrycznej głowicy uchylno-obrotowej. Umieścić uprzednio wymontowaną podkładkę na śrubie i dokręcić nakrętkę M8 ręcznie. Nakrętkę zabezpieczyć za pomocą wcześniej usuniętej zawleczki zabezpieczającej (A).
5. Umieścić podkładkę M8 na śrubie regulacyjnej M8 (B), upewnić się, że nakrętka M8 jest prawidłowo osadzona we wgłębieniu odpowiedniej połowy głowicy uchylno-obrotowej, przełożyć śrubę dźwigni przez obie połówki cylindra i dokręcić ją. Śrubę zabezpieczyć za pomocą wcześniej usuniętej zawleczki zabezpieczającej (A).



ENGLISH

DEUTSCH

FRANÇAIS

ESPAÑOL

POLSKI

ITALIANO

OPIS CZĘŚCI I MONTAŻ

- 1 Zaciski trawersu do zawieszania zamontowanego trawersu w pozycji poziomej
- 2 Nakrętka motylkowa do mocowania na trawersie
- 3 Śruba dociskowa z przetyczką do blokowania pionowej lub poziomej osi obrotu
- 4 Szyna mocująca z wgłębieniem do ustawiania kierunku emisji głośnika w pionie
- 5 Kołki ustalające
- 6 Kierunek obrotów do ustawiania kierunku emisji głośnika w pionie
- 7 Trzy haki stalowe, które pasują do gniazd mocujących u góry głośnika
- 8 Dwie sprężynowe śruby blokujące zabezpieczające połączenie
- 9 Otwory montażowe do alternatywnej instalacji głośników za pomocą łańcuchów

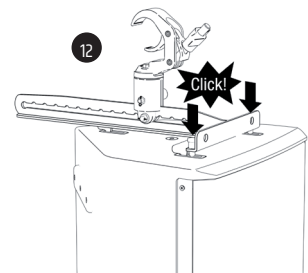
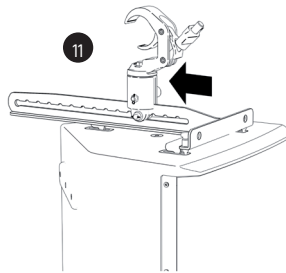
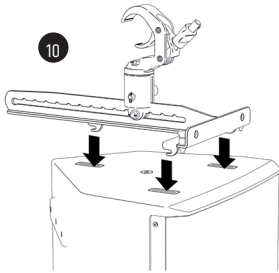
Ważna uwaga: Przed każdym montażem należy sprawdzić wszystkie elementy wspornika, aby niczego nie brakowało, nie było uszkodzeń i zapewnić prawidłowe działanie (zawleczeni do śrub, śruby, nakrętki, kołki blokujące, haki stalowe, tuleje do mocowań głośnika itp.). Jeśli jakiś element wspornika jest uszkodzony, czegoś brakuje lub coś nie działa prawidłowo, nie należy używać tego wspornika.



10 Wsuń wszystkie trzy haki stalowe wspornika EasyMount w odpowiednie tuleje uchwytów głośnika.

11 Przesuń cały wspornik ku tyłowi głośnika.

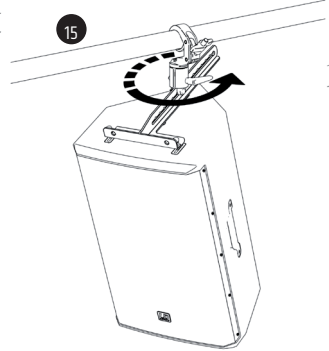
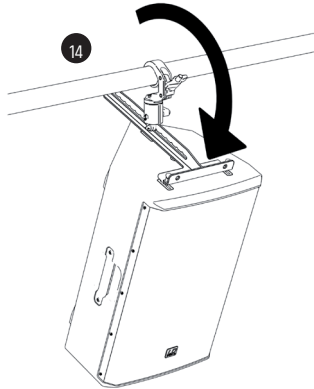
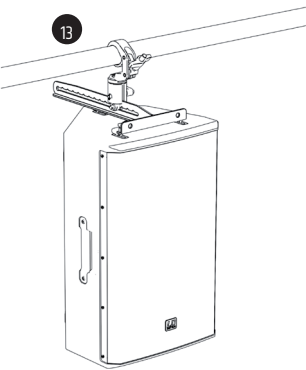
12 Podczas montażu wspornika należy upewnić się, że sprężynowe śruby blokujące działają prawidłowo. Przed każdym montażem sprawdź prawidłowość działania śrub blokujących. W celu odblokowania połączenia obie śruby blokujące muszą ze względów bezpieczeństwa być jednocześnie wyciągnięte do góry (odblokowane z obu stron).



13 Przed podłączeniem głośnika do trawersu dokręć śrubę dociskową z przetyczką do wspornika nr 3. Powieś głośnik w odpowiednim miejscu za pomocą zacisków trawersu nr 1 i dokręć za pomocą nakrętki motylkowej nr 2.

14 Poluzuj śrubę dociskową z przetyczką nr 3 (o około 1 obrót). Aby ustawić pionowy kierunek emisji głośnika, lekko unieś głośnik i umieść szynę montażową we wgłębieniach nr 4 w żądanym nachyleniu i zezwól, aby kotek ustalający nr 5 ustawił się w odpowiednim zagłębieniu, kierując głośnik w dół.

15 Teraz obróć głośnik, aż osiągnie żądany kierunek emisji, i dokręć śrubę dociskową z przetyczką nr 3.



LDEB83SCP

(odpowiedni do LDEB82G3, LDEB82AG3, LDEB102G3, LDEB102AG3)

- 1 Zacisk trawersu z regulowaną śrubą zaciskową z przetyczką i kołnierzem do śrub mocujących (tylko do montażu w poziomie na trawersach)
- 2 Śruby mocujące z gwintem M10 i nakrętką motylkową
- 3 Adapter do montażu zacisków na szynach o przekroju kwadratowym



- 4 Wymij śrubę M10 w górnej części głośnika.
- 5 Zdejmij nakrętkę motylkową M10 ze śrub mocujących (nr 2) i wkręć ją w gwint M10 u góry głośnika.
- 6 Zamocuj zaciski trawersu w odpowiedniej pozycji za pomocą regulowanej śruby dociskowej z przetyczką i sprawdź, czy są prawidłowo osadzone.
- 7 Poluzuj śrubę zabezpieczającą tak, aby kołnierz u dołu zacisku oddzielił się od śruby mocującej (nie odkręcaj śruby).
- 8 Wciśnij sprężynową śrubę blokującą znajdującą się z boku zacisku do obudowy, aby uwolnić kołnierz u dołu zacisku i wyjąć śruby mocujące oraz wkręcić śruby do kołnierza. Zwolnij nacisk ze śrub blokujących i przytrzymaj głośnik, aż będzie pewne, że śruba mocująca jest w pełni uwolniona. Obróć głośnik w żądanym kierunku i zabezpiecz połączenie, dokręcając śrubę zabezpieczającą nr 7.



DANE TECHNICZNE

Nazwa modelu:	LDEB82G3WMB	LDEB102G3WMB
Typ:	Akcesoria do głośnika PA	Akcesoria do głośnika PA
Część:	Ścienne/sufitowy wspornik montażowy	Ścienne/sufitowy wspornik montażowy
Odpowiedni do:	LDEB82G3, LDEB82AG3	LDEB102G3, LDEB102AG3
Materiał:	Stal	Stal
Powierzchnia:	Malowana proszkowo	Malowana proszkowo
Kolor:	Czarny	Czarny
Maks. Obciążenie	12 kg	15 kg
Wymiary (szer. x wys. x dł.):	60 x 460 x 170 mm	60 x 535 x 170 mm
Masa:	1,1 kg	1,2 kg

Nazwa modelu:	LDEB282G3WMB	LDEBG3WMB
Typ:	Akcesoria do głośnika PA	Akcesoria do głośnika PA
Część:	Ścienne/wspornik montażowy	Ścienne/wspornik montażowy
Odpowiedni do:	LDEB282G3, LDEB282AG3	LDEB122G3, LDEB122AG3 LDEB152G3, LDEB152AG3
Materiał:	Stal	Stal
Powierzchnia:	Malowana proszkowo	Malowana proszkowo
Kolor:	Czarny	Czarny
Maks. Obciążenie	21 kg	28 kg
Wymiary (szer. x wys. x dł.):	60 x 763 x 170 mm	550 x 90 x 308 mm
Masa:	1,5 kg	3,5 kg

Nazwa modelu:	LDEB82G3WMB1	LDEB82AG3WMB1
Typ:	Akcesoria do głośnika PA	Akcesoria do głośnika PA
Część:	Ścienne wspornik montażowy	Ścienne wspornik montażowy
Odpowiedni do:	LDEB82G3	LDEB82AG3
Materiał:	Stal	Stal
Powierzchnia:	Malowana proszkowo	Malowana proszkowo
Kolor:	Czarny	Czarny
Maks. Obciążenie	20 kg	11 kg
Wymiary (szer. x wys. x dł.):	100 x 157 x 109 mm	130 x 157 x 122 mm
Masa:	1,2 kg	2,2 kg

Nazwa modelu:	GSPWMB30B	LDEB282AG3WMB1
Typ:	Akcesoria do głośnika PA	Akcesoria do głośnika PA
Część:	Ścienne wspornik montażowy	Ścienne wspornik montażowy
Odpowiedni do:	LDEB282G3	LDEB282AG3
Materiał:	Stal	Stal
Powierzchnia:	Malowana proszkowo	Malowana proszkowo
Kolor:	Czarny	Czarny
Maks. Obciążenie	30 kg	21 kg

Wymiary (szer. x wys. x dł.):	120 mm x 220 mm x 160 mm	130 mm x 220 mm x 173 mm
Masa:	1,8 kg	3,3 kg

Nazwa modelu:	LDEB102G3WMB1	LDEBG3WMB1
Typ:	Akcesoria do głośnika PA	Akcesoria do głośnika PA
Część:	Ścienny wspornik montażowy	Ścienny wspornik montażowy
Odpowiedni do:	LDEB102G3, LDEB102AG3	LDEB122G3, LDEB122AG3 LDEB152G3, LDEB152AG3
Materiał:	Stal	Stal
Powierzchnia:	Malowana proszkowo	Malowana proszkowo
Kolor:	Czarny	Czarny
Maks. Obciążenie	20 kg	30 kg
Wymiary (szer. x wys. x dł.):	100 x 157 x 160 mm	120 x 220 x 160 mm
Masa:	1,4 kg	1,8 kg

Nazwa modelu:	LDEBG3TMB	LDEBG3SCP
Typ:	Akcesoria do głośnika PA	Akcesoria do głośnika PA
Część:	Kratownicowy wspornik montażowy	Kratownicowy wspornik montażowy
Odpowiedni do:	LDEB122G3, LDEB122AG3 LDEB152G3, LDEB152AG3	LDEB82G3, LDEB82AG3 LDEB102G3, LDEB102AG3
Materiał:	Stal/cynk	Aluminium/mosiądz
Powierzchnia:	Malowana proszkowo	Malowana proszkowo/niepowlekana
Kolor:	Czarny	Czarny/mosiądz
Maks. Obciążenie	28 kg	20 kg
Wymiary (szer. x wys. x dł.):	230 x 240 x 430 mm	57 x 136 x 118 mm
Masa:	3 kg	0,564 kg

DEKLARACJE PRODUCENTA

GWARANCJA PRODUCENTA I OGRANICZENIE ODPOWIEDZIALNOŚCI

Nasze aktualne warunki gwarancji i informacje dotyczące ograniczenia odpowiedzialności znajdują Państwo na stronie: https://cdn-shop.adamhall.com/media/pdf/MANUFACTURERS-DECLARATIONS_LD_SYSTEMS.pdf. W razie konieczności skorzystania z serwisu proszę skontaktować się z firmą Adam Hall GmbH, Adam-Hall-Str. 1, 61267 Neu Anspach / e-mail Info@adamhall.com / +49 (0)6081 / 9419-0.



PRAWIDŁOWA UTYLIZACJA NINIEJSZEGO PRODUKTU

(Obowiązuje w Unii Europejskiej i innych krajach europejskich stosujących system sortowania odpadów) Niniejszy symbol na produkcie lub związanych z nim dokumentach wskazuje, iż urządzenie po zakończeniu okresu użytkowania nie może być utylizowane razem ze standardowymi odpadami domowymi, aby uniknąć szkód w środowisku lub szkód na osobie powstałych w wyniku niekontrolowanego usuwania odpadów. Niniejszy produkt należy oddzielić od innych odpadów i przekazać do punktu recyklingu w celu ponownego wykorzystania użytych w nim materiałów w ramach idei zrównoważonego rozwoju. Klienci prywatni otrzymują informacje w zakresie przyjaznych dla środowiska możliwości usuwania odpadów od sprzedawcy, u którego produkt został zakupiony, lub w odpowiednich placówkach regionalnych. Użytkownicy będący przedsiębiorcami proszeni są o kontakt ze swoimi dostawcami i ewentualne sprawdzenie uzgodnionych umowie warunków utylizacji urządzeń. Niniejszy produkt nie może być utylizowany razem z innymi odpadami przemysłowymi.

Deklaracja zgodności CE

Firma Adam Hall GmbH niniejszym oświadcza, że produkt ten jest zgodny z następującymi dyrektywami (o ile mają zastosowanie):
dyrektywa w sprawie urządzeń radiowych i końcowych urządzeń telekomunikacyjnych (1999/5/WE) lub dyrektywa w sprawie urządzeń radiowych (2014/53/UE) od czerwca 2017 r.
dyrektywa niskonapięciowa (2014/35/UE)
dyrektywa w sprawie kompatybilności elektromagnetycznej (2014/30/UE)
dyrektywa w sprawie ograniczenia stosowania niektórych niebezpiecznych substancji w sprzęcie elektrycznym i elektronicznym (2011/65/UE)
Pełna wersja deklaracji zgodności znajduje się na stronie internetowej www.adamhall.com.
Ponadto zapytania w tej sprawie można przysyłać na adres e-mail info@adamhall.com.

AVETE FATTO LA SCELTA GIUSTA!

Quest'apparecchio è stato sviluppato e prodotto secondo elevati standard qualitativi che garantiscono un funzionamento regolare per molti anni. Per questo motivo LD Systems, con il suo nome e la pluriennale esperienza, rappresenta un'azienda produttrice di prodotti audio di qualità. Leggete attentamente questo manuale d'uso per utilizzare al meglio il vostro nuovo prodotto LD Systems. Per maggiori informazioni su **LD SYSTEMS**, consultate la nostra pagina web WWW.LD-SYSTEMS.COM

MISURE PRECAUZIONALI

1. Leggere attentamente il presente manuale di istruzioni.
2. Conservare tutte le indicazioni e le istruzioni in un luogo sicuro.
3. Seguire le istruzioni.
4. Rispettare tutte le avvertenze. Non rimuovere dal dispositivo le indicazioni sulla sicurezza o altre informazioni.
5. Utilizzare il dispositivo solo nei modi previsti dal manuale.
6. Utilizzare esclusivamente stativi e fissaggi stabili e adatti (per installazioni fisse). Verificare che i supporti a parete siano installati e fissati a regola d'arte. Verificare che il dispositivo sia installato in modo stabile e non possa cadere.
7. Durante l'installazione, osservare le normative sulla sicurezza in vigore nel proprio Paese.
8. Non installare né azionare il dispositivo in prossimità di radiatori, accumulatori termici,stufe o altre fonti di calore. Accertarsi che il dispositivo sia sempre installato in modo che venga raffreddato a sufficienza e non possa surriscaldarsi.
9. Non appoggiare sul dispositivo fonti di combustione, quali candele accese.
10. Le fessure di areazione non devono essere bloccate. Evitare l'esposizione diretta ai raggi solari.
11. Mantenere una distanza minima di 20 cm intorno e sopra al dispositivo.
12. Non attivare il dispositivo nelle immediate vicinanze di acqua (questo punto non interessa i dispositivi specifici per l'esterno, per i quali valgono le speciali indicazioni riportate di seguito). Non portare mai il dispositivo a contatto con materiali, liquidi o gas infiammabili.
13. Accertarsi che all'interno del dispositivo non possa penetrare acqua per gocciolamento o spruzzo. Non collocare sul dispositivo oggetti contenenti liquidi, quali vasi, tazze o bicchieri.
14. Assicurarsi che non sia possibile la caduta di oggetti nel dispositivo.
15. Azionare il dispositivo esclusivamente con gli accessori appositamente consigliati e previsti dal produttore.
16. Non aprire né modificare il dispositivo.
17. Una volta collegato il dispositivo, verificare tutti i cavi per evitare danni o incidenti, ad esempio per inciampo.
18. Durante il trasporto, assicurarsi che il dispositivo non possa cadere e causare possibili danni a cose e/o persone.
19. Se il dispositivo non funzionasse più correttamente, vi fosse caduto sopra del liquido o un oggetto o fosse stato danneggiato in altro modo, spegnerlo immediatamente e staccare la spina (se si tratta di un dispositivo attivo). La riparazione del dispositivo deve essere affidata esclusivamente a personale qualificato autorizzato.
20. Per la pulizia del dispositivo utilizzare un panno pulito.
21. Rispettare le leggi sullo smaltimento in vigore nel Paese di installazione. Al momento di smaltire l'imballo, separare la plastica dalla carta e dal cartone.
22. I sacchetti di plastica devono essere tenuti lontani dalla portata dei bambini.
23. Notare che eventuali modifiche o alterazioni non espressamente approvate dal responsabile della conformità possono annullare la facoltà dell'utente di utilizzare l'apparecchiatura.

DISPOSITIVI CON ALLACCIAMENTO DI RETE

24. **ATTENZIONE:** se il cavo di rete è dotato di contatto di protezione, deve essere collegato a una presa di rete con messa a terra. Non disattivare mai la connessione di messa a terra di un cavo di rete.
25. Non accendere il dispositivo subito dopo essere stato sottoposto a forti variazioni di temperatura (ad esempio dopo il trasporto). Umidità e condensa potrebbero danneggiare il dispositivo. Accendere il dispositivo solo dopo che ha raggiunto la temperatura ambiente.
26. Prima di collegare il dispositivo alla presa, controllare innanzitutto se la tensione e la frequenza della rete elettrica coincidono con i valori indicati sul dispositivo stesso. Nel caso di dispositivo munito di selettore di tensione, collegarlo alla presa unicamente se i valori del dispositivo coincidono con quelli della rete elettrica. Se il cavo di rete o l'adattatore di rete forniti in dotazione non sono compatibili con la presa, rivolgersi a un elettricista.
27. Non calpestare il cavo di rete. Accertarsi che i cavi sotto tensione, in particolare della presa di rete o dell'adattatore di rete, non vengano pizzicati.
28. Durante il cablaggio del dispositivo, verificare sempre che il cavo di rete e l'adattatore di rete siano costantemente accessibili. Staccare sempre il dispositivo dall'alimentazione di rete quando non è utilizzato o durante la pulizia. Per staccare dalla presa il cavo di rete e l'adattatore di rete, tirare sempre dalla spina o dall'adattatore e non dal cavo. Non toccare mai il cavo di alimentazione e l'alimentatore con le mani umide.
29. Evitare per quanto possibile di accendere e spegnere velocemente il dispositivo per non pregiudicare la durata.
30. **NOTA IMPORTANTE:** Sostituire i fusibili esclusivamente con fusibili dello stesso tipo e valore. Se un fusibile continua a saltare, rivolgersi a un centro di assistenza autorizzato.
31. Per staccare completamente il dispositivo dalla rete elettrica, rimuovere il cavo di rete o l'adattatore di rete dalla presa.
32. Per staccare un dispositivo provvisto di presa Volex, è prima necessario sbloccare la relativa spina Volex del dispositivo stesso. Tirando il cavo di rete, però, il dispositivo potrebbe spostarsi e cadere, provocando danni alle persone o di altro genere. Prestare quindi la più scrupolosa attenzione durante la posa dei cavi.
33. In caso di pericolo di caduta di fulmine, o se il dispositivo rimane inutilizzato a lungo, staccare sempre il cavo di rete e l'adattatore di rete dalla presa.

**ATTENZIONE:**

non togliere mai il coperchio di protezione perché sussiste il pericolo di scosse elettriche. L'interno del dispositivo non contiene parti che possono essere riparate o sottoposte a manutenzione da parte dell'utente. Per gli interventi di manutenzione e di riparazione rivolgersi esclusivamente a personale qualificato.



Il triangolo equilatero con il simbolo del lampo segnala la presenza di tensioni pericolose non isolate all'interno dell'apparecchio che possono causare scosse elettriche.



Il triangolo equilatero con punto esclamativo segnala la presenza di importanti informazioni relative all'uso e alla manutenzione.



Avvertimento! Questo simbolo indica superfici calde. Alcune parti della cassa potrebbero scaldarsi durante l'impiego. Dopo aver usato l'apparecchiatura, lasciarla raffreddare per almeno 10 minuti prima di toccarla o trasportarla.



Avvertimento! Questo dispositivo è destinato per l'utilizzo a un'altitudine non superiore ai 2.000 metri sul livello del mare.



Avvertimento! Questo dispositivo non è destinato all'uso nei climi tropicali.

ATTENZIONE! PRODOTTI AUDIO con LIVELLI SONORI ELEVATI!

Questo dispositivo è destinato a uso professionale. Il suo utilizzo in ambito commerciale è soggetto alle normative e alle direttive nazionali vigenti in materia di prevenzione di infortuni. In qualità di produttore, Adam Hall è tenuto per legge a informare espressamente gli utenti degli eventuali rischi per la salute. Danni all'udito provocati da un'esposizione prolungata a un livello sonoro elevato: l'utilizzo di questo prodotto può generare elevati livelli di pressione sonora (SPL) che possono provocare danni irreparabili all'udito di artisti, collaboratori e spettatori. Evitare l'esposizione prolungata a livelli sonori elevati, superiori a 90 dB.

Note importanti: Prima di ogni installazione controllare che tutti i componenti degli accessori di installazione siano completi, non presentino danni e siano funzionanti (mandrini per viti, bulloni, dadi, bulloni di bloccaggio, ganci in acciaio, boccole di fissaggio e filettature dell'altoparlante, ecc.). Se un qualsiasi componente degli accessori d'installazione risulta danneggiato, mancante o non funziona correttamente, gli accessori non devono essere utilizzati.

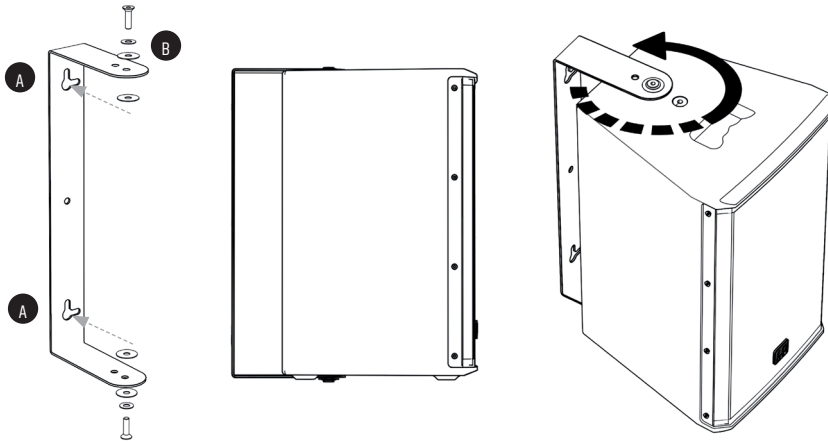
Per l'installazione di un fusibile secondario, sul retro dell'altoparlante si trova una filettatura M8.

PANORAMICA

Numero articolo	Adatto per		Montaggio	Tipo
LDEB82G3WMB	LDEB82G3	LDEB82AG3	Parete e soffitto	
LDEB102G3WMB	LDEB102G3	LDEB102AG3		
LDEB282G3WMB	LDEB282G3	LDEB282AG3		
LDEBG3WMB	LDEB122G3	LDEB122AG3	Parete	
	LDEB152G3	LDEB152AG3		
LDEB82G3WMB1	LDEB82G3		Parete	
LDEB82AG3WMB1	LDEB82AG3		Parete	 6 
GSPWMB530B	LDEB282G3		Parete	
LDEB282AG3WMB1	LDEB282AG3		Parete	 6 
LDEB102G3WMB1	LDEB102G3	LDEB102AG3	Parete	
LDEBG3WMB1	LDEB122G3	LDEB122AG3	Parete	
	LDEB152G3	LDEB152AG3		
LDEBG3TMB	LDEB122G3	LDEB122AG3	Traversa	
	LDEB152G3	LDEB152AG3		
LDEBG3SCP	LDEB82G3	LDEB82AG3	Traversa	
	LDEB102G3	LDEB102AG3		

- LDEB82G3WMB** (adatto per LDEB82G3, LDEB82AG3)
LDEB102G3WMB (adatto per LDEB102G3, LDEB102AG3)
LDEB282G3WMB (adatto per LDEB282G3, LDEB282AG3)

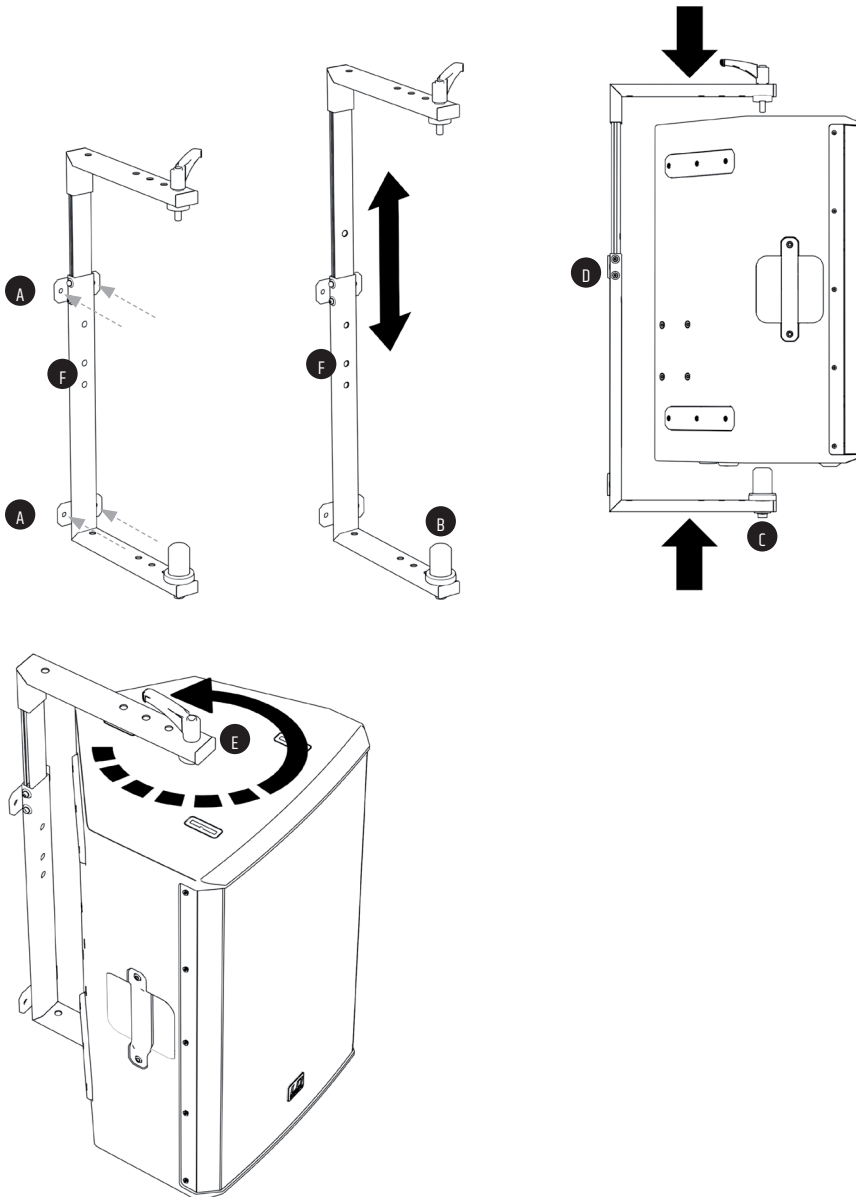
Avvitare la staffa ad U corrispondente all'altoparlante Stinger G3 desiderato in una posizione adatta su una parete o un soffitto portante (A). A tal fine utilizzare viti e tasselli adatti e prestare attenzione al loro fissaggio. Rimuovere le viti M8 inserite nella parte superiore e inferiore dell'altoparlante e sollevare quest'ultimo inserendolo nella staffa in modo che le posizioni delle filettature nell'altoparlante e i fori per le viti nella staffa corrispondano. A questo punto utilizzare le viti e le rondelle M8 fornite in dotazione come illustrato nella figura sottostante (B, posizionare le rondelle di gomma tra la staffa e l'altoparlante), regolare la direzione di dispersione desiderata e serrare le viti con un utensile adeguato (C).



LDEBG3WMB

(adatto per LDEB122G3, LDEB122AG3, LDEB152G3, LDEB152AG3)

Avvitare la staffa ad U corrispondente all'altoparlante Stinger G3 desiderato in una posizione adatta su una parete portante (A). A tal fine utilizzare viti e tasselli adatti e prestare attenzione al loro fissaggio. Rimuovere le viti M8 inserite nella parte superiore e inferiore dell'altoparlante e sollevare quest'ultimo inserendolo nella staffa in modo che le posizioni delle filettature nell'altoparlante e i fori per le viti nella staffa corrispondano. A questo punto utilizzare le viti e le rondelle M8 fornite in dotazione come illustrato nella figura sottostante (B, posizionare le rondelle di gomma tra la staffa e l'altoparlante), regolare la direzione di dispersione desiderata e serrare le viti con un utensile adeguato (C). A questo punto regolare il lato regolabile della staffa in base alle dimensioni dell'altoparlante e bloccarlo in posizione con le due viti sul lato della staffa (D). Utilizzare il galletto M10 in dotazione per fissare l'altoparlante sulla staffa nell'angolo desiderato, nella posizione corrispondente al perno ad innesto (E, posizionare la rondella in gomma fornita tra staffa e altoparlante, per l'installazione permanente è fornita una vite esagonale M10).



ENGLISH

DEUTSCH

FRANÇAIS

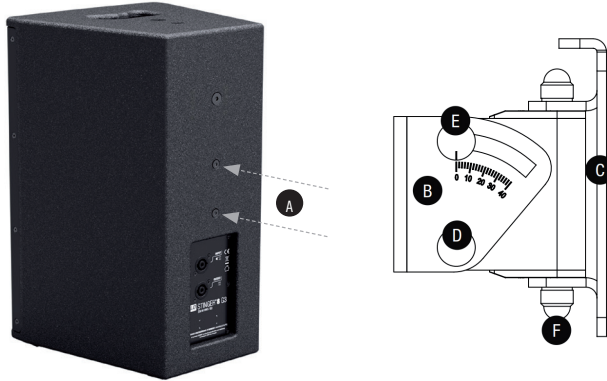
ESPAÑOL

POLSKI

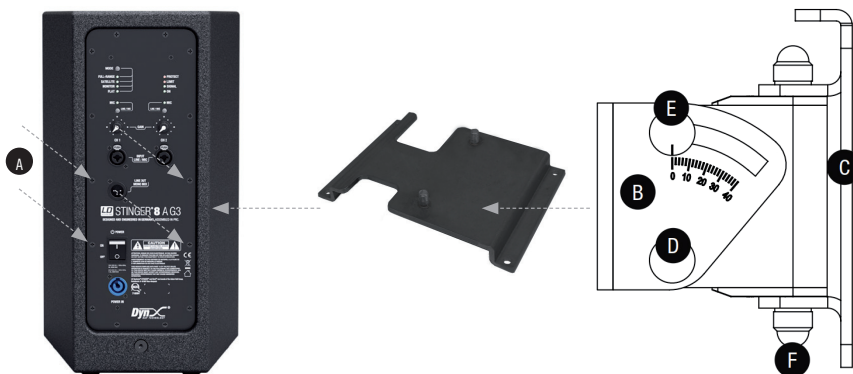
ITALIANO

LDEB82G3WMB1 (adatto per LDEB82G3)

1. Rimuovere le due viti M6 A sul retro dell'altoparlante.
2. Allentare leggermente la vite E del supporto da parete (non rimuovere), allentare la vite D dal braccio inclinabile e girevole, rimuoverla e sollevare la staffa ad U B dal supporto. Avvitare la staffa ad U B nella parte posteriore dell'altoparlante utilizzando le viti in dotazione.
3. Avvitare la piastra di montaggio C a una parete portante (4 viti), in posizione perpendicolare e in un punto adatto, con l'occhiello di sicurezza orientato verso l'alto. A tal fine utilizzare viti e tasselli adatti e accertarsi che siano fissati saldamente.
4. Posizionare l'altoparlante con la staffa a U montata sul supporto a parete, rimettere la vite D nell'apposita posizione e fissare con il dado precedentemente rimosso.
5. È possibile inclinare in verticale l'altoparlante allentando leggermente il dado E, impostando l'angolo desiderato e serrando nuovamente il dado. Per regolare l'altoparlante in orizzontale, allentare leggermente il dado F (rimuovendo prima il cappuccio di plastica), impostare l'angolo desiderato e serrare nuovamente il dado.

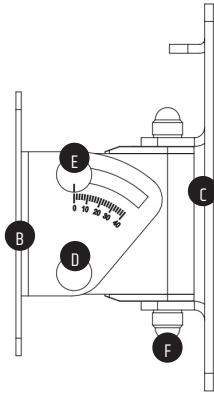
**LDEB82AG3WMB1** (adatto per LDEB82AG3)

1. Rimuovere quattro viti M4 A sul retro dell'altoparlante nelle posizioni previste per il fissaggio della piastra adattatore. Prestare attenzione alle rientranze per la presa di uscita LINE OUT e l'interruttore POWER. A questo punto fissare la piastra adattatore all'altoparlante utilizzando le viti M4 in dotazione, in modo che la presa di uscita LINE OUT e l'interruttore POWER siano liberamente accessibili.
2. Allentare leggermente la vite E del supporto da parete (non rimuovere), allentare la vite D dal braccio inclinabile e girevole, rimuoverla e sollevare la staffa ad U B dal supporto.
3. Avvitare la piastra di montaggio C a una parete portante (4 viti), in posizione perpendicolare e in un punto adatto, con l'occhiello di sicurezza orientato verso l'alto. A tal fine utilizzare viti e tasselli adatti e accertarsi che siano fissati saldamente.
4. Posizionare l'altoparlante con la staffa a U B montata sul supporto a parete, rimettere la vite D nell'apposita posizione e fissare con il dado precedentemente rimosso.
5. È possibile inclinare in verticale l'altoparlante allentando leggermente il dado E, impostando l'angolo desiderato e serrando nuovamente il dado. Per regolare l'altoparlante in orizzontale, allentare leggermente il dado F (rimuovendo prima il cappuccio di plastica), impostare l'angolo desiderato e serrare nuovamente il dado.



GSPWMBS30B (adatto per LDEB282G3)

1. Rimuovere le quattro viti M6 A sul retro dell'altoparlante.
2. Allentare leggermente la vite E del supporto da parete (non rimuovere), allentare la vite D dal braccio inclinabile e girevole, rimuoverla e sollevare la staffa ad U con piastra di supporto B dal supporto. Avvitare la staffa a U con la piastra di fissaggio B in posizione sul retro dell'altoparlante utilizzando le viti in dotazione.
3. Avvitare la piastra di montaggio C a una parete portante (8 viti), in posizione perpendicolare e in un punto adatto, con l'occhiello di sicurezza orientato verso l'alto. Utilizzare viti e tasselli adatti e accertarsi che siano fissati saldamente.
4. Posizionare l'altoparlante con la staffa a U con piastra di supporto B montata sul supporto a parete, rimettere la vite D nell'apposita posizione e fissare con il dado precedentemente rimosso.
5. È possibile inclinare in verticale l'altoparlante allentando leggermente il dado E, impostando l'angolo desiderato e serrando nuovamente il dado. Per regolare l'altoparlante in orizzontale, allentare leggermente il dado F (rimuovendo prima il cappuccio di plastica), impostare l'angolo desiderato e serrare nuovamente il dado.



ENGLISH

DEUTSCH

FRANÇAIS

ESPAÑOL

POLSKI

ITALIANO

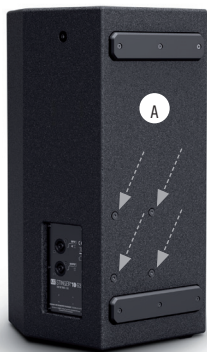
LDEB282AG3WMB1 (adatto per LDEB282AG3)

1. Rimuovere sei viti M4 A sul retro dell'altoparlante nelle posizioni previste per il montaggio della piastra adattatore. Prestare attenzione alle rientranze per la presa di uscita LINE OUT e l'interruttore POWER. A questo punto fissare la piastra adattatore all'altoparlante utilizzando le viti M4 in dotazione, in modo che la presa di uscita LINE OUT e l'interruttore POWER siano liberamente accessibili.
2. Allentare leggermente la vite E del supporto da parete (non rimuovere), allentare la vite D dal braccio inclinabile e girevole, rimuoverla e sollevare la staffa ad U dal supporto. Avvitare la staffa a U B alla piastra adattatore utilizzando i dadi in dotazione.
3. Avvitare la piastra di montaggio C a una parete portante (8 viti), in posizione perpendicolare e in un punto adatto, con l'occhiello di sicurezza orientato verso l'alto. Utilizzare viti e tasselli adatti e accertarsi che siano fissati saldamente.
4. Posizionare l'altoparlante con la staffa a U montata sul supporto a parete, rimettere la vite D nell'apposita posizione e fissare con il dado precedentemente rimosso.
5. È possibile inclinare in verticale l'altoparlante allentando leggermente il dado E, impostando l'angolo desiderato e serrando nuovamente il dado. Per regolare l'altoparlante in orizzontale, allentare leggermente il dado F (rimuovendo prima il cappuccio di plastica), impostare l'angolo desiderato e serrare nuovamente il dado.



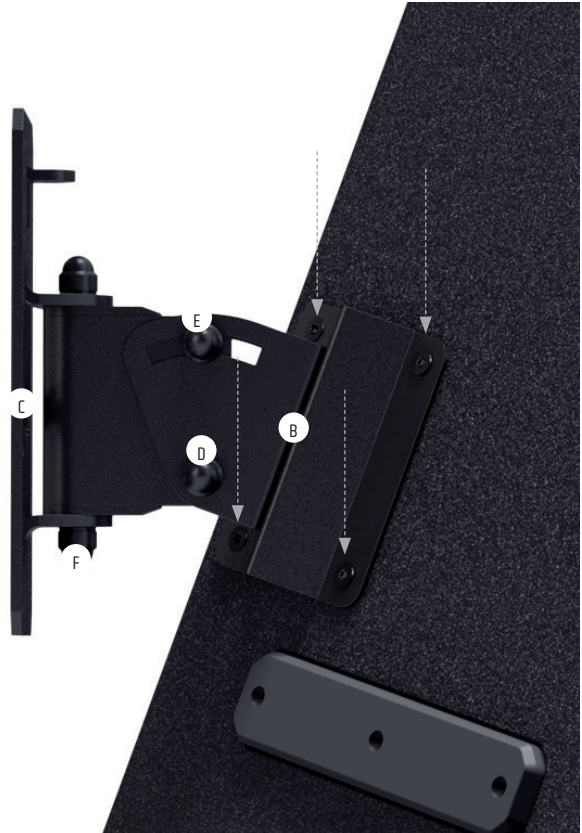
LDEB102G3WMB1 (adatto per LDEB102G3, LDEB102AG3)

1. Rimuovere le quattro viti M6 A sul retro dell'altoparlante.
2. Allentare leggermente la vite E del supporto da parete (non rimuovere), allentare la vite D dal braccio inclinabile e girevole, rimuoverla e sollevare la staffa ad U con piastra di supporto B dal supporto. Avvitare la staffa a U con la piastra di fissaggio B in posizione sul retro dell'altoparlante utilizzando le viti in dotazione.
3. Avvitare la piastra di montaggio C a una parete portante (4 viti), in posizione perpendicolare e in un punto adatto, con l'occhiello di sicurezza orientato verso l'alto. Utilizzare viti e tasselli adatti e accertarsi che siano fissati saldamente.
4. Posizionare l'altoparlante con la staffa a U con piastra di supporto B montata sul supporto a parete, rimettere la vite D nell'apposita posizione e fissare con il dado precedentemente rimosso.
5. È possibile inclinare in verticale l'altoparlante allentando leggermente il dado E, impostando l'angolo desiderato e serrando nuovamente il dado. Per regolare l'altoparlante in orizzontale, allentare leggermente il dado F (rimuovendo prima il cappuccio di plastica), impostare l'angolo desiderato e serrare nuovamente il dado.



LDEBG3WMB1 (adatto per LDEB122G3, LDEB122AG3, LDEB152G3, LDEB152AG3)

1. Rimuovere le quattro viti M6 A sul retro dell'altoparlante.
2. Allentare leggermente la vite E del supporto da parete (non rimuovere), allentare la vite D dal braccio inclinabile e girevole, rimuoverla e sollevare la staffa ad U con piastra di supporto B dal supporto. Avvitare la staffa a U con la piastra di fissaggio B in posizione sul retro dell'altoparlante utilizzando le viti in dotazione.
3. Avvitare la piastra di montaggio C a una parete portante (8 viti), in posizione perpendicolare e in un punto adatto, con l'occhiello di sicurezza orientato verso l'alto. Utilizzare viti e tasselli adatti e accertarsi che siano fissati saldamente.
4. Posizionare l'altoparlante con la staffa a U con piastra di supporto B montata sul supporto a parete, rimettere la vite D nell'apposita posizione e fissare con il dado precedentemente rimosso.
5. È possibile inclinare in verticale l'altoparlante allentando leggermente il dado E, impostando l'angolo desiderato e serrando nuovamente il dado. Per regolare l'altoparlante in orizzontale, allentare leggermente il dado F (rimuovendo prima il cappuccio di plastica), impostare l'angolo desiderato e serrare nuovamente il dado.

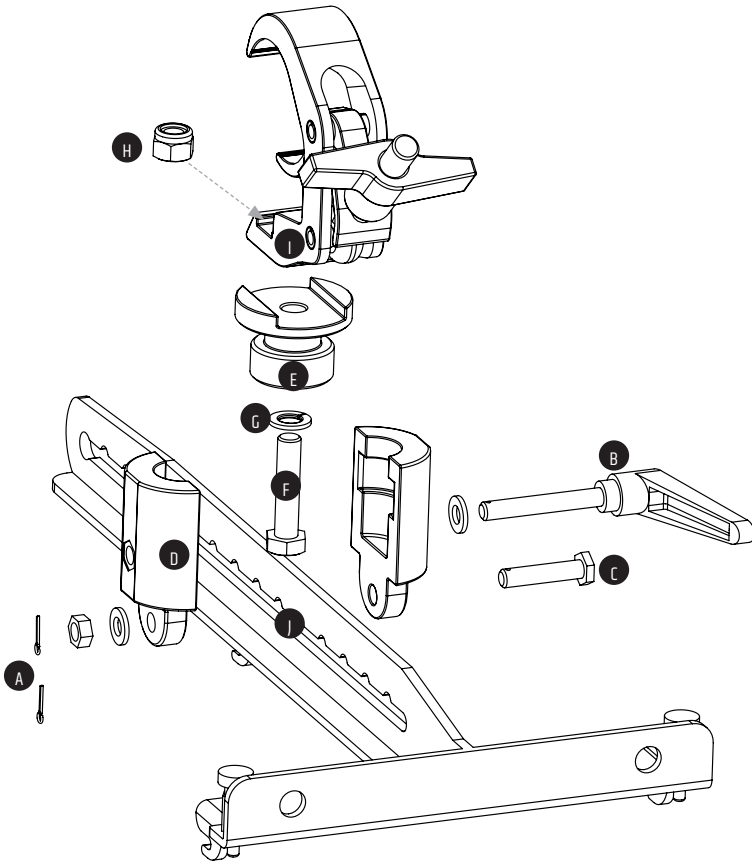


LDEBG3TMB

(adatto per LDEB122G3, LDEB122AG3, LDEB152G3, LDEB152AG3)

ASSEMBLAGGIO STAFFA DI BLOCCAGGIO E MORSETTO PER TRALICCI

1. Allentare le coppie di sicurezza (A) dalle due viti M8 (B, C) nella testa cilindrica pan/tilt (D) della staffa di fissaggio.
2. Svitare entrambe le viti (B, C) dalla testa pan/tilt (D), separare le due metà cilindro e rimuovere il getto (E).
3. Utilizzare ora la vite M10 (F), la rondella elastica (G) e il dado autobloccante M10 (H) in dotazione per fissare il monoblocco (E) al morsetto per tralicci (I) con l'ausilio di una chiave a tubo da 17 mm. Inserire il morsetto per tralicci nella cavità del monoblocco, il dado autobloccante nella cavità del morsetto per tralicci e introdurre la vite con la rondella elastica attraverso il monoblocco nel morsetto (v. disegno).
4. Inserire il monoblocco con il morsetto per tralicci nella metà della testa pan/tilt (D) e congiungere entrambe le metà in modo che la vite M8 (C) possa passare attraverso il foro di montaggio corrispondente di una delle metà, attraverso la guida di supporto (J) della staffa di fissaggio e attraverso il foro di montaggio della seconda metà della testa pan/tilt. Inserire nella vite la rondella precedentemente rimossa e serrare manualmente il dado M8. Fissare il dado con una coppia di sicurezza (A) precedentemente allentata.
5. Inserire la rondella M8 nella leva a vite M8 (B), verificare che il dado M8 sia inserito correttamente nell'incavo della corrispondente metà del cilindro della testa pan/tilt, introdurre la leva a vite attraverso le due metà del cilindro e serrarla. Fissare la vite con una coppia di sicurezza (A) precedentemente rimossa.



ENGLISH

DEUTSCH

FRANÇAIS

ESPAÑOL

POLSKI

ITALIANO

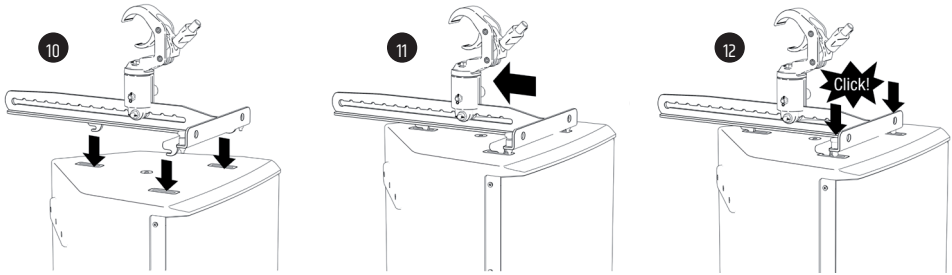
DESCRIZIONE E MONTAGGIO DEI PEZZI

- 1 Morsetto per tralicci per il montaggio su una traversa installata in posizione orizzontale.
- 2 Dado ad alette per il fissaggio su una traversa.
- 3 Avvitare il galletto per bloccare gli assi autodirezionali orizzontali e verticali.
- 4 Guida di supporto con tacche per la regolazione della direzione di dispersione verticale dell'altoparlante.
- 5 Perno di fissaggio.
- 6 Dispositivo rotante per la regolazione della direzione di dispersione orizzontale degli altoparlanti.
- 7 Tre ganci in acciaio che si inseriscono nelle boccole di fissaggio sulla parte superiore dell'altoparlante.
- 8 Due perni di bloccaggio a molla per fissare il collegamento.
- 9 Fori di montaggio per l'installazione alternativa del diffusore con l'ausilio di catene.

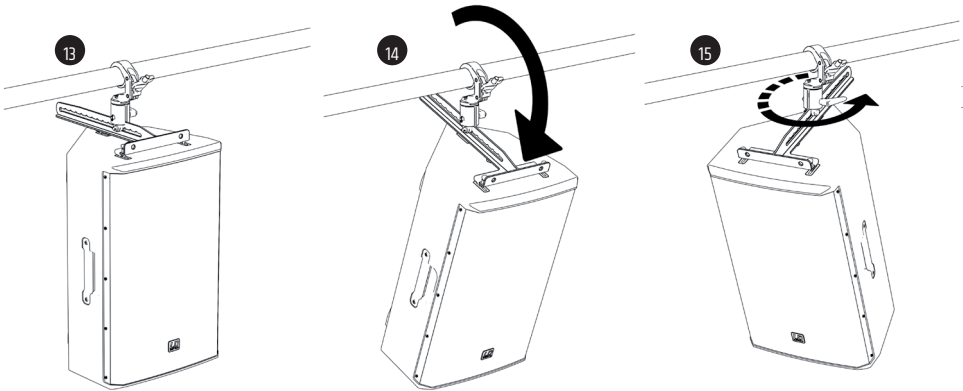
Nota importante: Prima di ogni installazione, controllare che tutti i componenti della staffa di fissaggio siano completi, non presentino danni e funzionino correttamente (coppiglie per viti, dadi, perni di bloccaggio, ganci in acciaio, boccole di fissaggio dell'altoparlante, ecc.). Se un qualsiasi componente della staffa di fissaggio risulta danneggiato, mancante o non funziona correttamente, la staffa non deve essere utilizzata.



- 10** Inserire tutti e tre i ganci in acciaio della staffa EasyMount nelle corrispondenti boccole di fissaggio degli altoparlanti.
- 11** A questo punto far scorrere l'intera staffa di fissaggio verso la parte posteriore dell'altoparlante.
- 12** Durante il montaggio della staffa di fissaggio, accertarsi che i perni di bloccaggio a molla siano completamente innestati. Prima di ogni installazione controllare il corretto funzionamento dei perni di bloccaggio. Per motivi di sicurezza, entrambi i perni di bloccaggio devono essere sollevati contemporaneamente per sbloccare il collegamento (sblocco a due mani).



- 13** Prima di fissare l'altoparlante ad una traversa, serrare il galletto della staffa di supporto n. 3. Agganciare l'altoparlante ad una traversa orizzontale con l'aiuto del morsetto n. 1 in posizione adeguata e fissarlo saldamente con il dado ad alette n. 2.
- 14** Allentare leggermente il galletto n°3 (ca. 1 giro). Per regolare la direzione di diffusione verticale dell'altoparlante, sollevare leggermente l'altoparlante, dare alla guida di montaggio con le tacche n. 4 l'inclinazione desiderata e lasciare che il perno di fissaggio n. 5 scatti in posizione mentre si abbassa l'altoparlante.
- 15** Ruotare l'altoparlante fino a raggiungere la direzione orizzontale di diffusione desiderata e serrare il galletto n. 3.



LDEB83SCP

(adatto per LDEB82G3, LDEB82AG3, LDEB102G3, LDEB102AG3)

- 1 Morsetto per tralici con galletto regolabile e flangia per il bullone di fissaggio (esclusivamente per montaggio su traverse installate in posizione orizzontale).
- 2 Bullone di fissaggio con filettatura M10 e dado ad alette.
- 3 Adattatore per il montaggio del morsetto su tubi quadrati.



- 4 Rimuovere la vite M10 sulla parte superiore dell'altoparlante.
- 5 Rimuovere il dado ad alette M10 dal bullone di montaggio (pos. 2) e avvitarlo fino in fondo nella filettatura M10 sulla parte superiore dell'altoparlante.
- 6 Fissare il morsetto per tralici in posizione adeguata su una traversa utilizzando il galletto regolabile e assicurarsi che sia saldamente fissato.
- 7 Allentare la vite di bloccaggio in modo che la flangia sul lato inferiore del morsetto consenta l'inserimento del bullone di fissaggio (non rimuovere la vite).
- 8 Spingere il bullone di bloccaggio a molla nell'alloggiamento sul lato del morsetto, in modo che la flangia sul lato inferiore del morsetto consenta l'inserimento del bullone di fissaggio e inserire il bullone nella flangia fino al punto di arresto. Allentare la pressione applicata al perno di bloccaggio e sostenere l'altoparlante finché non si è certi che il perno di fissaggio sia completamente innestato. Ruotare l'altoparlante nella direzione di diffusione desiderata e fissare il collegamento serrando la vite di bloccaggio n. 7.



DATI TECNICI

Denominazione modello:	LDEB82G3WMB	LDEB102G3WMB
Tipo:	Accessori per altoparlanti PA	Accessori per altoparlanti PA
Parte:	Staffa per montaggio a parete/soffitto	Staffa per montaggio a parete/soffitto
Adatta per:	LDEB82G3, LDEB82AG3	LDEB102G3, LDEB102AG3
Materiale:	Acciaio	Acciaio
Superficie:	Verniciatura a polvere	Verniciatura a polvere
Colore:	Nero	Nero
Carico max	12 kg	15 kg
Dimensioni (L x H x P):	60 mm x 460 mm x 170 mm	60 mm x 535 mm x 170 mm
Peso:	1,1 kg	1,2 kg

Denominazione modello:	LDEB282G3WMB	LDEBG3WMB
Tipo:	Accessori per altoparlanti PA	Accessori per altoparlanti PA
Parte:	Staffa per montaggio a parete/soffitto	Staffa per montaggio a parete
Adatta per:	LDEB282G3, LDEB282AG3	LDEB122G3, LDEB122AG3 LDEB152G3, LDEB152AG3
Materiale:	Acciaio	Acciaio
Superficie:	Verniciatura a polvere	Verniciatura a polvere
Colore:	Nero	Nero
Carico max	21 kg	28 kg
Dimensioni (L x H x P):	60 mm x 763 mm x 170 mm	550 mm x 90 mm x 308 mm
Peso:	1,5 kg	3,5 kg

Denominazione modello:	LDEB82G3WMB1	LDEB82AG3WMB1
Tipo:	Accessori per altoparlanti PA	Accessori per altoparlanti PA
Parte:	Staffa a parete	Staffa a parete
Adatta per:	LDEB82G3	LDEB82AG3
Materiale:	Acciaio	Acciaio
Superficie:	Verniciatura a polvere	Verniciatura a polvere
Colore:	Nero	Nero
Carico max	20 kg	11 kg
Dimensioni (L x H x P):	100 mm x 157 mm x 109 mm	130 mm x 157 mm x 122 mm
Peso:	1,2 kg	2,2 kg

Denominazione modello:	GSPWMB30B	LDEB282AG3WMB1
Tipo:	Accessori per altoparlanti PA	Accessori per altoparlanti PA
Parte:	Staffa a parete	Staffa a parete
Adatta per:	LDEB282G3	LDEB282AG3
Materiale:	Acciaio	Acciaio
Superficie:	Verniciatura a polvere	Verniciatura a polvere
Colore:	Nero	Nero

Carico max	30 kg	21 kg
Dimensioni (L x H x P):	120 mm x 220 mm x 160 mm	130 mm x 220 mm x 173 mm
Peso:	1,8 kg	3,3 kg

Denominazione modello:	LDEB102G3WM81	LDEBG3WM81
Tipo:	Accessori per altoparlanti PA	Accessori per altoparlanti PA
Parte:	Staffa a parete	Staffa a parete
Adatta per:	LDEB102G3, LDEB102AG3	LDEB122G3, LDEB122AG3 LDEB152G3, LDEB152AG3
Materiale:	Acciaio	Acciaio
Superficie:	Verniciatura a polvere	Verniciatura a polvere
Colore:	Nero	Nero
Carico max	20 kg	30 kg
Dimensioni (L x H x P):	100 mm x 157 mm x 160 mm	120 mm x 220 mm x 160 mm
Peso:	1,4 kg	1,8 kg

Denominazione modello:	LDEBG3TMB	LDEBG3SCP
Tipo:	Accessori per altoparlanti PA	Accessori per altoparlanti PA
Parte:	Staffa per montaggio a traliccio	Staffa per montaggio a traliccio
Adatta per:	LDEB122G3, LDEB122AG3 LDEB152G3, LDEB152AG3	LDEB82G3, LDEB82AG3 LDEB102G3, LDEB102AG3
Materiale:	Acciaio/Zinco	Alluminio/Ottone
Superficie:	Verniciatura a polvere	Verniciatura a polvere/non verniciato
Colore:	Nero	Nero/Ottone
Carico max	28 kg	20 kg
Dimensioni (L x H x P):	230 mm x 240 mm x 430 mm	57 mm x 136 mm x 118 mm
Peso:	3 kg	0,564 kg

DICHIARAZIONI DEL PRODUTTORE

GARANZIA DEL PRODUTTORE E LIMITAZIONE DI RESPONSABILITÀ

Le nostre attuali condizioni di garanzia e la limitazione di responsabilità sono consultabili alla pagina: https://cdn-shop.adamhall.com/media/pdf/MANUFACTURERS-DECLARATIONS_LD_SYSTEMS.pdf. In caso di assistenza, rivolgersi a Adam Hall GmbH, Adam-Hall-Str. 1, 61267 Neu Anspach / E-mail info@adamhall.com / +49 (0)6081 / 9419-0.

CORRETTO SMALTIMENTO DEL PRODOTTO

(In vigore nell'Unione Europea e in altri Paesi europei in cui si attui la raccolta differenziata) Questo simbolo apposto sul prodotto o sui relativi documenti indica che, per evitare danni all'ambiente e alle persone causati da uno smaltimento incontrollato dei rifiuti, alla fine del suo ciclo di vita l'apparecchio non deve essere smaltito insieme ai normali rifiuti domestici. Il prodotto deve quindi essere smaltito separatamente da altri rifiuti e riciclato nell'ottica dell'incentivazione di cicli economici sostenibili. I clienti privati possono richiedere informazioni sulle possibilità di smaltimento ecosostenibile al rivenditore presso il quale è stato acquistato il prodotto o presso le autorità regionali competenti. I clienti aziendali devono invece contattare il proprio fornitore e controllare le eventuali condizioni contrattuali inerenti allo smaltimento degli apparecchi. Questo prodotto non deve essere smaltito assieme ad altri rifiuti industriali.

Conformità CE

Con la presente Adam Hall GmbH dichiara che questo prodotto soddisfa le seguenti direttive (ove pertinenti):

Direttiva R&TTE (1999/5/CE) e RED (2014/53/UE) da giugno 2017

Direttiva bassa tensione (2014/35/CE)

Direttiva CEM (2014/30/UE)

RoHS (2011/65/UE)

La dichiarazione di conformità completa è reperibile al sito www.adamhall.com.

Per ulteriori informazioni è inoltre possibile scrivere a info@adamhall.com.

