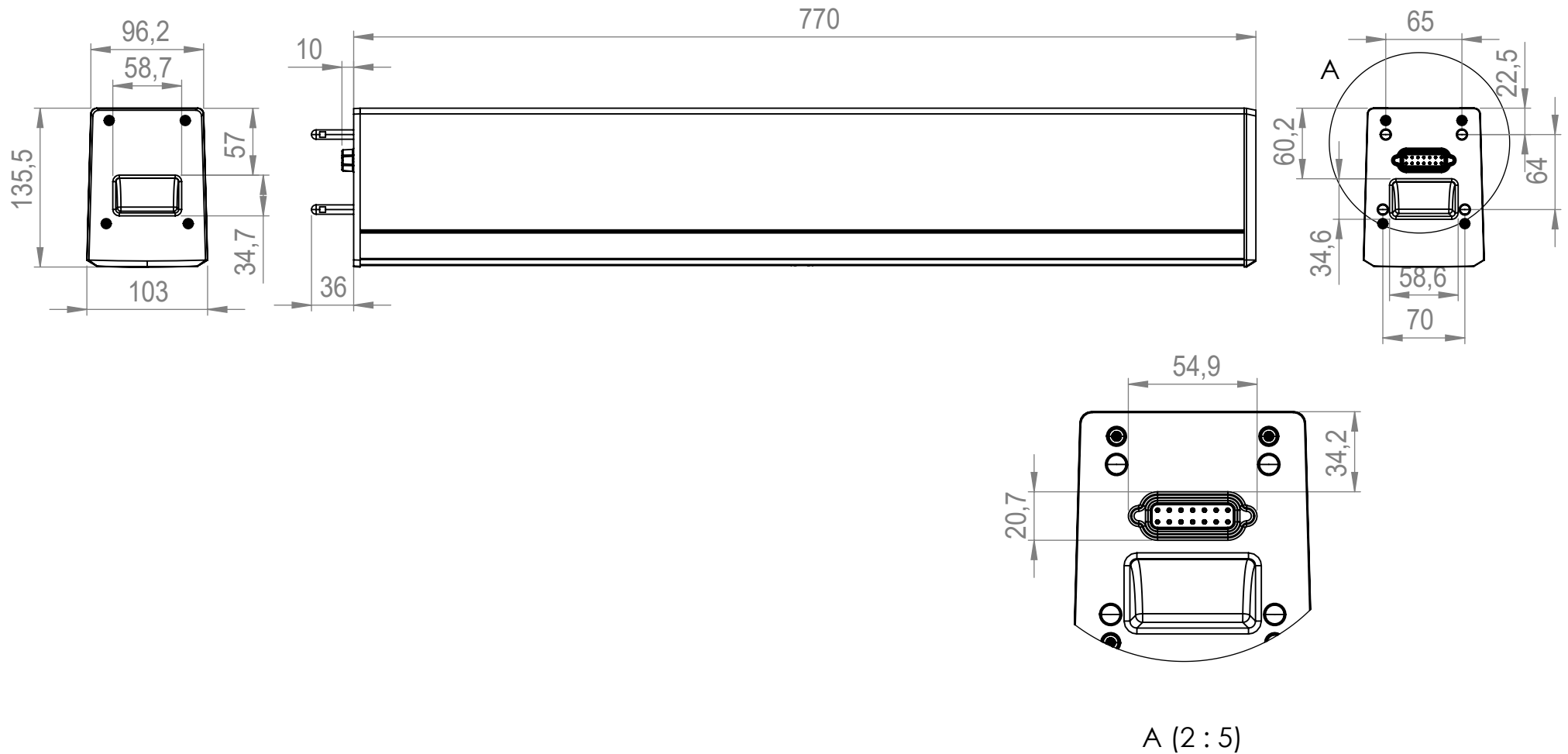


MAUI 28 G3

Art No. LDMAUI28G3(W)
Scale: 1:20

LDsystems LD[®]

LD Systems[®] is a registered brand of the Adam Hall Group.
Adam-Hall-Str. 1 · 61267 Neu-Anspach · Germany
DESIGNED AND ENGINEERED IN GERMANY. Assembled in PRC



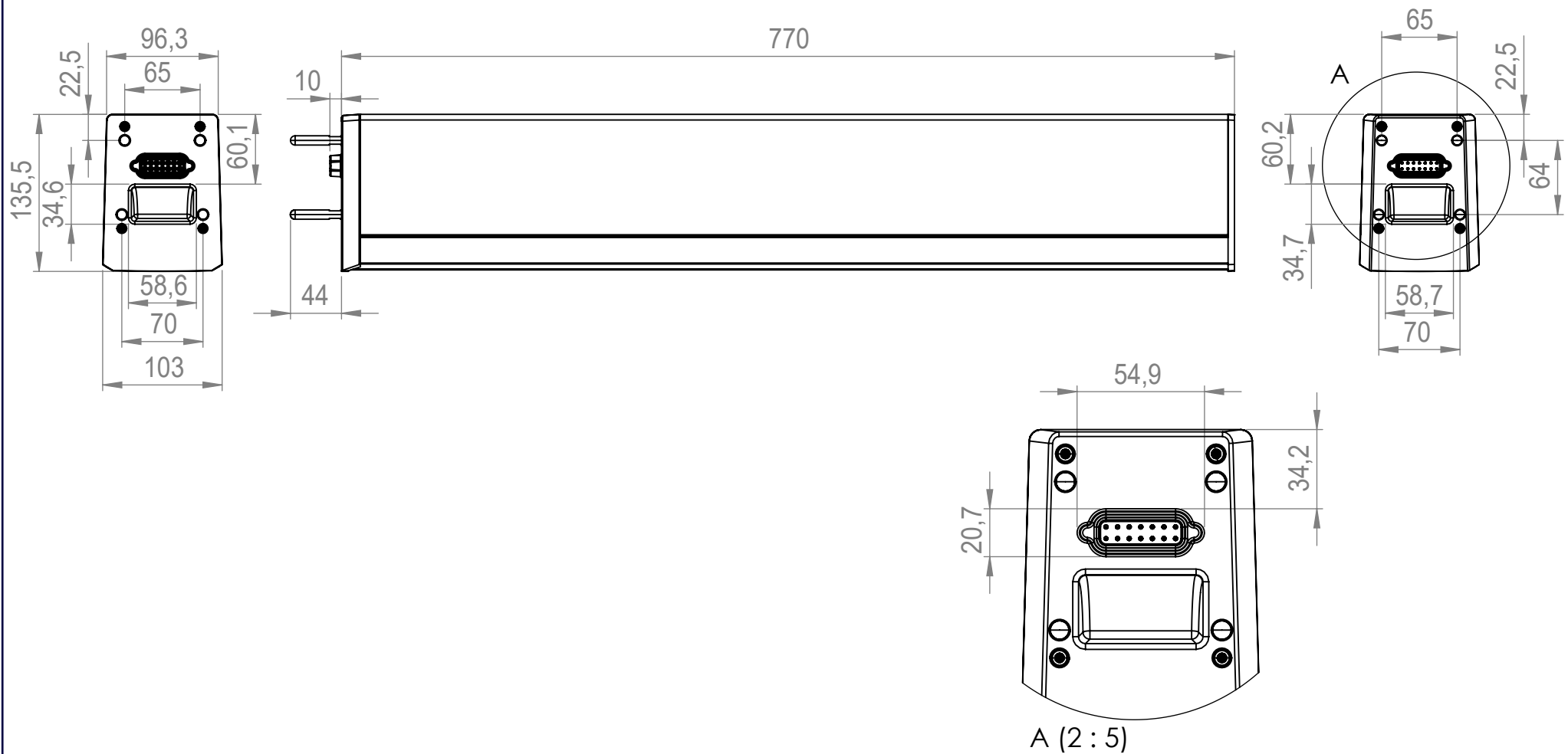
MAUI 28 G3 Upper Column

Art No. LDM11G3UCOL(W)

Scale: 1:5

LDsystems LD[®]

LD Systems[®] is a registered brand of the Adam Hall Group.
 Adam-Hall-Str. 1 · 61267 Neu-Anspach · Germany
 DESIGNED AND ENGINEERED IN GERMANY. Assembled in PRC

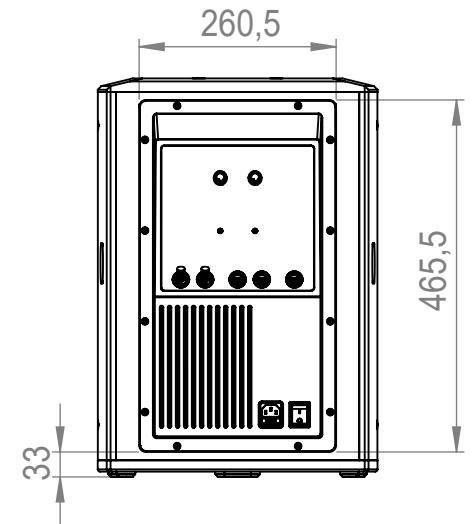
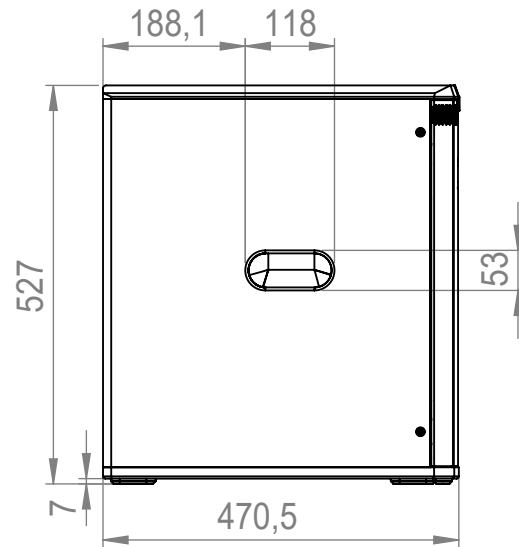
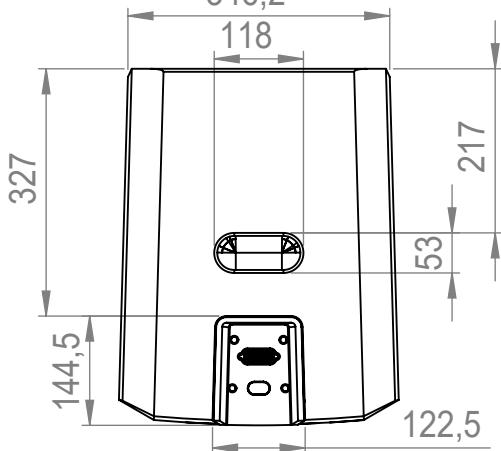
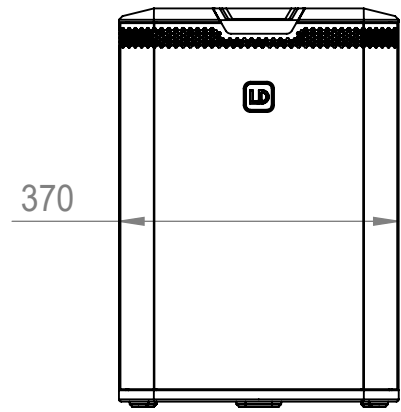
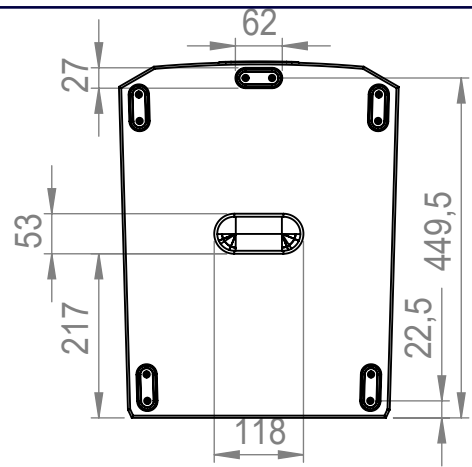


MAUI 28 G3 Column Down

Art No. LDM11G3LCOL(W)
Scale: 1:5

LDsystems LD[®]

LD Systems® is a registered brand of the Adam Hall Group.
Adam-Hall-Str. 1 · 61267 Neu-Anspach · Germany
DESIGNED AND ENGINEERED IN GERMANY. Assembled in PRC

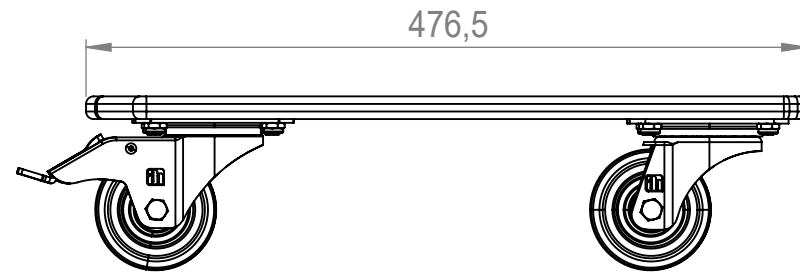
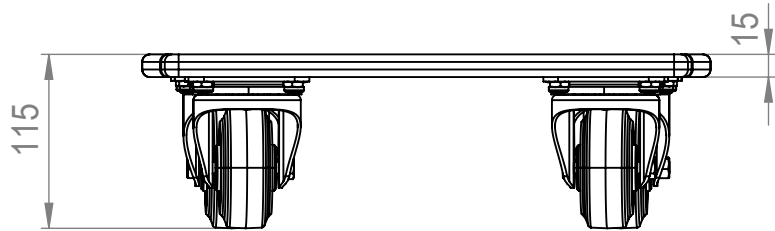
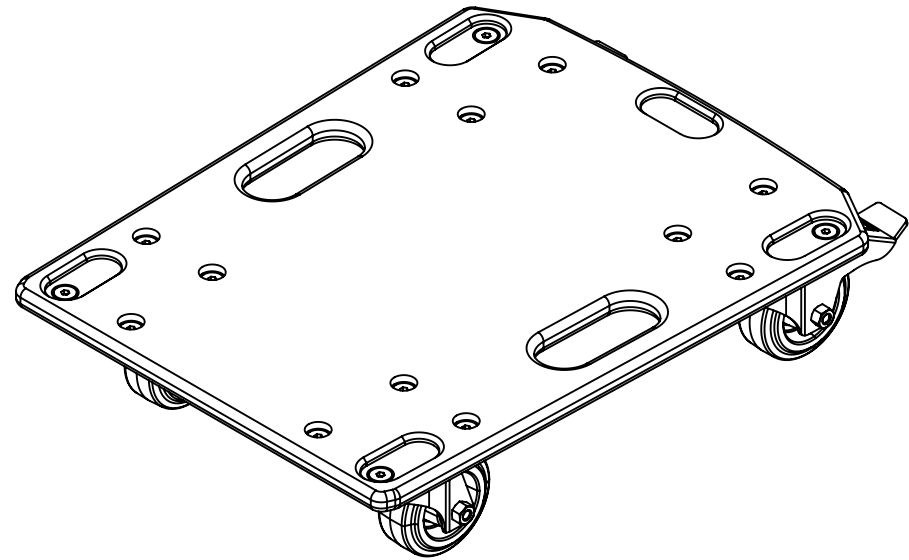
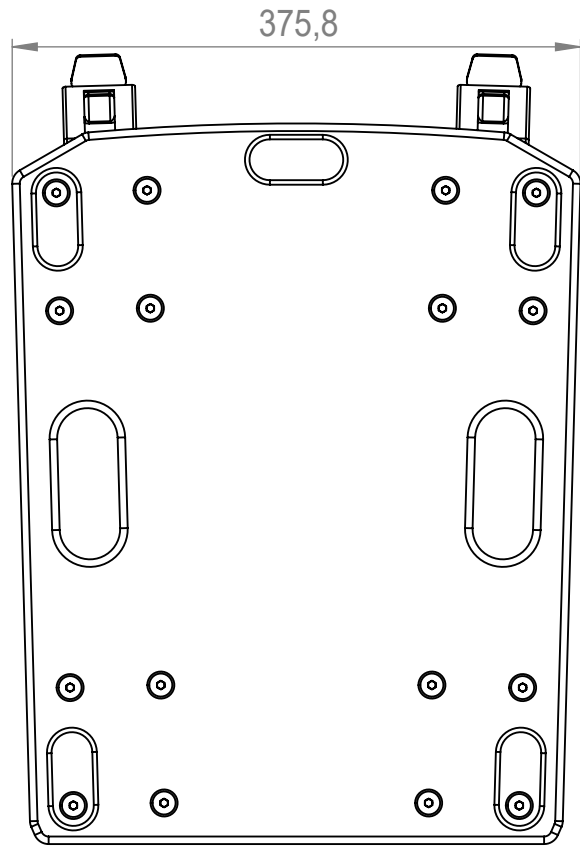


MAUI 28 G3 SUB

Art No. LDM28G3SUB
Scale: 1:10

LDsystems LD[®]

LD Systems® is a registered brand of the Adam Hall Group.
Adam-Hall-Str. 1 · 61267 Neu-Anspach · Germany
DESIGNED AND ENGINEERED IN GERMANY. Assembled in PRC



MAUI 28 G3 CB

Art No. LDM28G3CB
Scale: 1:5

LDsystems LD[®]

LD Systems® is a registered brand of the Adam Hall Group.
Adam-Hall-Str. 1 · 61267 Neu-Anspach · Germany
DESIGNED AND ENGINEERED IN GERMANY. Assembled in PRC