

USER'S MANUAL
BEDIENUNGSANLEITUNG
MANUEL D'UTILISATION
MANUAL DE USUARIO
INSTRUKCJA OBSŁUGI
MANUALE D'USO

LDsystems 



DQOR[®] SERIES

2-WAY PASSIVE INDOOR/OUTDOOR INSTALLATION LOUDSPEAKER

LDDQOR3(B/W), LDDQOR5(B/W), LDDQOR8(B/W)

LDDQOR3T(B/W), LDDQOR5T(B/W), LDDQOR8T(B/W)

CONTENTS / INHALTSVERZEICHNIS / SOMMAIRE / CONTENIDO / SPIS TREŚCI / SOMMARIO

ENGLISH

SAFETY INFORMATION	3
INTRODUCTION	5
FEATURES - MODELS WITH TRANSFORMER	5
FEATURES - LOW-IMPEDANCE MODELS	5
MEASUREMENTS (MM)	6
WALL MOUNTING PLATE	7
WALL MOUNTING	7
MODELS WITH TRANSFORMER	9
OPTIONAL ACCESSORY	9
TECHNICAL DATA	10
MANUFACTURER'S DECLARATIONS	13

DEUTSCH

SICHERHEITSHINWEISE	14
EINFÜHRUNG	16
EIGENSCHAFTEN - MODELLE MIT TRANSFORMATOR	16
EIGENSCHAFTEN - NIEDEROHMIGE MODELLE	16
ABMESSUNGEN (MM)	17
WANDMONTAGEPLATTE	18
WANDMONTAGE	18
MODELLE MIT TRANSFORMATOR	20
OPTIONALES ZUBEHÖR	20
TECHNISCHE DATEN	21
HERSTELLERERKLÄRUNGEN	24

FRANÇAIS

INFORMATIONS DE SÉCURITÉ	25
INTRODUCTION	27
CARACTÉRISTIQUES : MODÈLES AVEC TRANSFORMATEUR	27
CARACTÉRISTIQUES : MODÈLES À BASSE IMPÉDANCE	27
DIMENSIONS (MM)	28
SUPPORT DE MONTAGE MURAL	29
MONTAGE MURAL	29
MODÈLES AVEC TRANSFORMATEUR	31
ACCESSOIRES EN OPTION	31
CARACTÉRISTIQUES TECHNIQUES	32
DÉCLARATIONS DU FABRICANT	35

ESPAÑOL

INFORMACIÓN DE SEGURIDAD	36
INTRODUCCIÓN	38
CARACTERÍSTICAS: MODELOS CON TRANSFORMADOR	38
CARACTERÍSTICAS: MODELOS DE BAJA IMPEDANCIA	38
MEDIDAS (MM)	39
PLACA DE MONTAJE EN PARED	40
MONTAJE EN PARED	40
MODELOS CON TRANSFORMADOR	42
ACCESORIOS OPCIONALES	42
DATOS TÉCNICOS	43
DECLARACIONES DEL FABRICANTE	46

POLSKI

INFORMACJE DOTYCZĄCE BEZPIECZEŃSTWA	47
WSTĘP	49
WŁAŚCIWOŚCI - MODELE Z TRANSFORMATOREM	49
WŁAŚCIWOŚCI - MODELE O NISKIEJ IMPEDANCJI	49
WYMIARY (MM)	50
UCHWYT ŚCIENNY	51
MONTAŻ NAŚCIENNY	51
MODELE Z TRANSFORMATOREM	53
AKCESORIA OPCJONALNE	53
DANE TECHNICZNE	54
OŚWIADCZENIA PRODUCENTA	57

ITALIANO

INFORMAZIONI SULLA SICUREZZA	58
INTRODUZIONE	60
CARATTERISTICHE: MODELLI CON TRASFORMATORE	60
CARATTERISTICHE: MODELLI A BASSA IMPEDENZA	60
MISURE (MM)	61
PIASTRA DI MONTAGGIO A PARETE	62
MONTAGGIO A PARETE	62
MODELLI CON TRASFORMATORE	64
ACCESSORIO OPZIONALE	64
DATI TECNICI	65
DICHIARAZIONI DEL PRODUTTORE	68

YOU'VE MADE THE RIGHT CHOICE!

We have designed this product to operate reliably over many years. LD Systems stands for this with its name and many years of experience as a manufacturer of high-quality audio products. Please read this User's Manual carefully, so that you can begin making optimum use of your LD Systems product quickly.

You can find more information about **LD-SYSTEMS** at our Internet site WWW.LD-SYSTEMS.COM

SAFETY INFORMATION

1. Please read these instructions carefully.
2. Keep all information and instructions in a safe place.
3. Follow the instructions.
4. Observe all safety warnings. Never remove safety warnings or other information from the equipment.
5. Use the equipment only in the intended manner and for the intended purpose.
6. Use only sufficiently stable and compatible stands and/or mounts (for fixed installations). Make certain that wall mounts are properly installed and secured. Make certain that the equipment is installed securely and cannot fall down.
7. During installation, observe the applicable safety regulations for your country.
8. Never install and operate the equipment near radiators, heat registers, ovens or other sources of heat. Make certain that the equipment is always installed so that it is cooled sufficiently and cannot overheat.
9. Never place sources of ignition, e.g., burning candles, on the equipment.
10. Ventilation slits must not be blocked.
11. Keep a minimum distance of 20 cm around and above the device.
12. Do not use this equipment in the immediate vicinity of water (does not apply to special outdoor equipment - in this case, observe the special instructions noted below. Do not expose this equipment to flammable materials, fluids or gases. Avoid direct sunlight!
13. Make certain that dripping or splashed water cannot enter the equipment. Do not place containers filled with liquids, such as vases or drinking vessels, on the equipment.
14. Make certain that objects cannot fall into the device.
15. Use this equipment only with the accessories recommended and intended by the manufacturer.
16. Do not open or modify this equipment.
17. After connecting the equipment, check all cables in order to prevent damage or accidents, e.g., due to tripping hazards.
18. During transport, make certain that the equipment cannot fall down and possibly cause property damage and personal injuries.
19. If your equipment is no longer functioning properly, if fluids or objects have gotten inside the equipment or if it has been damaged in another way, switch it off immediately and unplug it from the mains outlet (if it is a powered device). This equipment may only be repaired by authorized, qualified personnel.
20. Clean the equipment using a dry cloth.
21. Comply with all applicable disposal laws in your country. During disposal of packaging, please separate plastic and paper/cardboard.
22. Plastic bags must be kept out of reach of children.
23. Please note that changes or modifications not expressly approved by the party responsible for compliance could void the user's authority to operate the equipment.

FOR EQUIPMENT THAT CONNECTS TO THE POWER MAINS

24. CAUTION: If the power cord of the device is equipped with an earthing contact, then it must be connected to an outlet with a protective ground. Never deactivate the protective ground of a power cord.
25. If the equipment has been exposed to strong fluctuations in temperature (for example, after transport), do not switch it on immediately. Moisture and condensation could damage the equipment. Do not switch on the equipment until it has reached room temperature.
26. Before connecting the equipment to the power outlet, first verify that the mains voltage and frequency match the values specified on the equipment. If the equipment has a voltage selection switch, connect the equipment to the power outlet only if the equipment values and the mains power values match. If the included power cord or power adapter does not fit in your wall outlet, contact your electrician.
27. Do not step on the power cord. Make certain that the power cable does not become kinked, especially at the mains outlet and/or power adapter and the equipment connector.
28. When connecting the equipment, make certain that the power cord or power adapter is always freely accessible. Always disconnect the equipment from the power supply if the equipment is not in use or if you want to clean the equipment. Always unplug the power cord and power adapter from the power outlet at the plug or adapter and not by pulling on the cord. Never touch the power cord and power adapter with wet hands.
29. Whenever possible, avoid switching the equipment on and off in quick succession because otherwise this can shorten the useful life of the equipment.
30. IMPORTANT INFORMATION: Replace fuses only with fuses of the same type and rating. If a fuse blows repeatedly, please contact an authorised service centre.
31. To disconnect the equipment from the power mains completely, unplug the power cord or power adapter from the power outlet.
32. If your device is equipped with a Volex power connector, the mating Volex equipment connector must be unlocked before it can be removed. However, this also means that the equipment can slide and fall down if the power cable is pulled, which can lead to personal injuries and/or other damage. For this reason, always be careful when laying cables.
33. Unplug the power cord and power adapter from the power outlet if there is a risk of a lightning strike or before extended periods of disuse.
34. The appliance is not to be used by persons (including children) with reduced physical, sensory or mental capabilities, or lack of experience and knowledge.
35. Children must be instructed not to play with the device.
36. If the power cord of the device is damaged, do not use the device. The power cord must be replaced by an adequate cable or assembly from an authorized service center.

**CAUTION:**

To reduce the risk of electric shock, do not remove cover (or back). There are no user serviceable parts inside. Maintenance and repairs should be exclusively carried out by qualified service personnel.



The warning triangle with lightning symbol indicates dangerous uninsulated voltage inside the unit, which may cause an electrical shock.



The warning triangle with exclamation mark indicates important operating and maintenance instructions.



Warning! This symbol indicates a hot surface. Certain parts of the housing can become hot during operation. After use, wait for a cool-down period of at least 10 minutes before handling or transporting the device.



Warning! This device is designed for use below 2000 metres in altitude.



Warning! This product is not intended for use in tropical climates.

CAUTION! HIGH VOLUMES IN AUDIO PRODUCTS!

This device is meant for professional use. Therefore, commercial use of this equipment is subject to the respectively applicable national accident prevention rules and regulations. As a manufacturer, Adam Hall is obligated to notify you formally about the existence of potential health risks. Hearing damage due to high volume and prolonged exposure: When in use, this product is capable of producing high sound-pressure levels (SPL) that can lead to irreversible hearing damage in performers, employees, and audience members. For this reason, avoid prolonged exposure to volumes in excess of 90 dB.

INTRODUCTION

LD Systems presents a new series of installation speakers for indoors and outdoors. The 2-way systems in the new dynamic LD Systems design are available as a low-impedance version (8 Ohm) and as a high-impedance version with a switch for the different transformers taps in 70 V or 100 V applications. The speakers are available in sizes 3", 5.25" and 8". For flexible integration into various indoor and outdoor sound systems, the speakers have an integrated wall bracket and a practical slide and lock mechanism. Thanks to the integrated connection panel, the speakers can also be used in visually demanding environments without visible cable paths. In addition, the 27° tilt and the 45° swivel mechanism enables exact positioning for precise sound coverage. The new outdoor speakers are available in black and white.

FEATURES - MODELS WITH TRANSFORMER

- New dynamic LD Systems speaker design
- 2-way speaker system
- Integrated wall bracket with lock mechanism and speaker connections
- Suitable for use indoors and outdoors
- Aluminum grille for best corrosion protection
- Vertical and horizontal orientation possible, with 27° tilt and 45° pan angle
- BEM-optimized waveguide for constant directivity
- Wide, horizontal beam angle of 120° and vertical beam angle of 80°
- 3-position input select switch (16Ω / 70V / 100V) and switch for the transformer taps
- Very low transformer saturation
- Available in black (RAL 9005 = item number ending B) and white (RAL 9010 = item number ending W)
- Protection type
 - IP65 = DQQR3T (B/W)
 - IP55 = DQQR5T (B/W) & DQQR8T (B/W)

DQQR3T (B/W) - 2-way speaker system with 3" woofer and 1" titanium tweeter with FerroFluid™ cooling.
30W @ 16 Ohm, transformer taps 30W - 6W - 3W - 1.5W

DQQR5T (B/W) - 2-way speaker system with 5.25" woofer and 1" titanium tweeter with FerroFluid™ cooling.
70W @ 16 Ohm, transformer taps 70W - 30W - 15W - 7.5W - 3W

DQQR8T (B/W) - 2-way speaker system with 8" woofer and 1" titanium tweeter with FerroFluid™ cooling.
120W @ 16 Ohm, transformer taps 120 W - 70W - 30W - 15W - 7.5W - 3W

PACKAGING CONTENT

- DQQR3T (B/W) and DQQR5T (B/W) - 1 pair of speakers / DQQR8T (B/W) - 1 speaker
- Hex key for the safety screw of the wall bracket
- User manual

FEATURES - LOW-IMPEDANCE MODELS

- New dynamic LD Systems speaker design
- 2-way speaker system
- Integrated wall bracket with lock mechanism and speaker connections
- Suitable for use indoors and outdoors
- Aluminum grille for best corrosion protection
- Vertical and horizontal orientation possible, with 27° tilt and 45° pan angle
- BEM-optimized waveguide for constant directivity
- Wide, horizontal beam angle of 120° and vertical beam angle of 80°
- Available in black (RAL 9005 = item number ending B) and white (RAL 9010 = item number ending W)
- Protection type
 - IP65 = DQQR3 (B/W)
 - IP55 = DQQR5 (B/W) & DQQR8 (B/W)

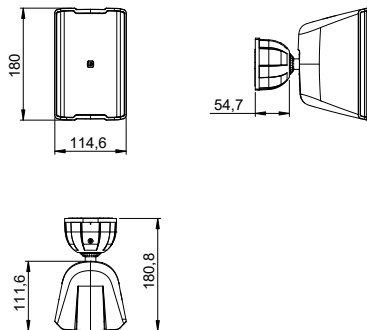
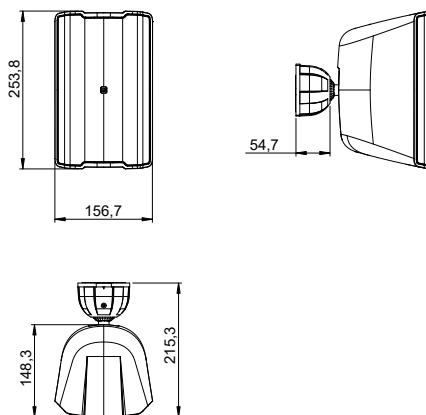
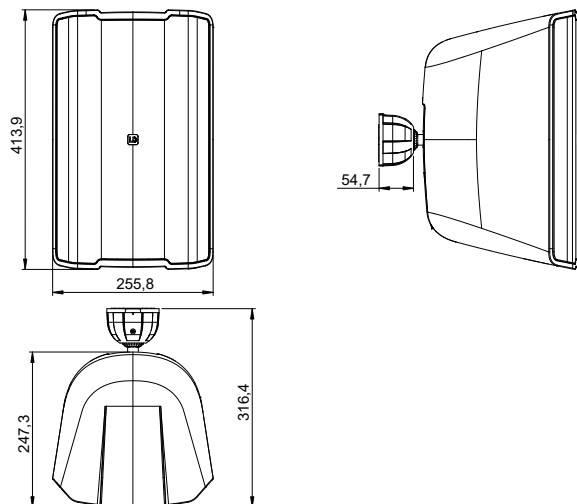
DQQR3 (B/W) - 2-way speaker system with 3" woofer and 1" titanium tweeter with FerroFluid™ cooling.
30W power rating 8 Ohm impedance

DQQR5 (B/W) - 2-way speaker system with 5.25" deep woofer and 1" titanium tweeter with FerroFluid™ cooling.
70W power rating 8 Ohm impedance

DQQR8 (B/W) - 2-way speaker system with 8" woofer and 1" titanium tweeter with FerroFluid™ cooling.
120W power rating 8 Ohm impedance

PACKAGING CONTENT

- DQOR3 (B/W) and DQOR5 (B/W) - 1 pair of speakers / DQOR8 (B/W) - 1 speaker
- Hex key for the safety screw of the wall bracket
- User manual

MEASUREMENTS (MM)**DQOR3 / DQOR3T****DQOR5 / DQOR5T****DQOR8 / DQOR8T**

WALL MOUNTING PLATE

There are 4 holes in the round wall mounting plate for securing it to a wall. Please note that countersunk screws are required to secure the plate and ensure that their flat heads are flush with the plate (screws are not included in the packaging content). The wall mounting plate is equipped with a 4-pole terminal block, sliding contacts and two openings for speaker cables.



1 TERMINAL BLOCK

4-pole terminal block with spring clamping for connecting a speaker cable with an up to 2.5 mm² cross-section and for sending the amplifier signal to another speaker connected in parallel. Please note the markings directly over the contacts for the correct polarity. Open the terminal contacts of the terminal block by sliding a small screwdriver with a flat head into the small opening above the respective contact. Now insert the stripped speaker cable into the terminal contact and pull the screwdriver out of the opening once again to close the terminal contact.

2 CENTRAL CABLE BUSHING

Central cable bushing for speaker cables installed in a wall. Carefully pull the cable coming from the wall through the 2mm drill hole present in the rubber sealing. The drill hole in the rubber seal is stretched as a result and therefore surrounds the cable.

When mounting outdoors: If the rubber sealing is torn when mounting, seal the tears and open points in the rubber sealing using silicone sealant.

3 SLIDING CONTACTS

When the speaker is correctly connected to the wall mounting plate, the speaker signal coming from the amplifier is transmitted via the sliding contacts to the speaker.



4 LOWER CABLE BUSHING

Lower cable bushing for speaker cables installed on a wall. In order to release the cable bushing, the sealing cap made of plastic must be removed prior to attaching the wall mounting plate to a wall.

When mounting outdoors: Seal open points between cable and cable bushing after installation using silicone sealant.

WALL MOUNTING

The speaker has a wall bracket with a practical lock mechanism. Thanks to the integrated connector panel, the speaker can also be used in visually demanding environments without visible cables. The 27° tilt and 45° swivel mechanism enables exact positioning for precise sound coverage.



Important safety information: Overhead mounting requires experience, including the calculation of the limits for the workload, the installation material used and regular safety tests of all installation materials and speakers. If you are not qualified, do not try to perform the installation yourself, but use a professional company!

1 Prior to installing the speaker, remove the wall mounting plate from the wall bracket.

To do this, loosen the safety screw **A** in the dome-shaped union nut using the hex key included, turn the union nut counterclockwise from the wall bracket and pull the wall mounting plate **B** downwards from the wall bracket.

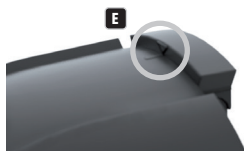
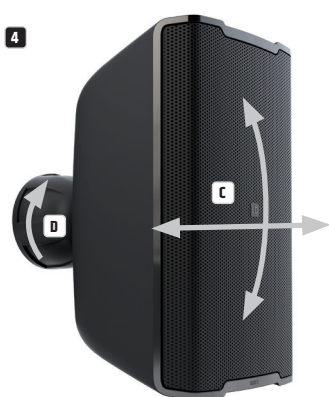




2 Firmly secure the wall mounting plate with the terminal block at the top using suitable screws on a wall sufficiently capable of supporting the load. For speaker cables laid under plaster, the corresponding cable must be inserted through the central cable bushing prior to securing the wall mounting plate. Now connect the speaker cables to the corresponding contacts of the terminal block.

3 Slide the speaker with the wall bracket from above onto the wall mounting plate in such a way that the contacts on the speaker slide into the guide grooves of the sliding contacts of the wall mounting plate and the retaining hook engage into the corresponding recess.

4 Using the ball joint in the wall bracket, the speaker can be turned to the vertical or the horizontal position (turning in both directions by maximum 180°). Then tilt and swivel the speaker into the desired beam direction **C**. Now fix the speaker by screwing the dome-shaped union nut **D** clockwise tightly onto the associated thread until the marking on the union nut matches either the marking on the retaining hook **E** or the marking on the wall mounting plate **F** to ensure that the safety screw can also engage into one of the two through-holes in the collet.



5 Secure the ball joint and the dome-shaped union nut from moving by tightening the safety screw in the union nut clockwise using the hex key that is included **G**. When you do this, make sure that the screw is fully countersunk.



MODELS WITH TRANSFORMER

The 3-position switch for the operating mode and the switch for the transformer taps are below the wall bracket in a control section behind a water-tight rubber covering in the models DQOR 3T(B/W), DQOR 5T(B/W) and DQOR 8T(B/W) **A**. Lift the rubber covering in order to carry out the desired settings and seal the control compartment carefully again afterwards.



1 OPERATING MODE 16 Ω / 70V / 100V

3-position switch to adjust the installation speaker for 70V or 100V installation amplifiers or amplifiers with low-impedance output (16 Ohm). Move the switch to the corresponding position prior to connecting to the amplifier.

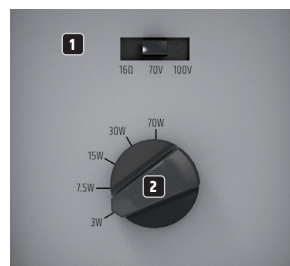
2 TRANSFORMER TAPS

Switch for selecting the desired transformer tap (as an example model DQOR5TW).

DQOR 3T(B/W): 30W - 6W - 3W - 1.5W

DQOR 5T(B/W): 70W - 30W - 15W - 7.5W - 3W

DQOR 8T(B/W): 120W - 70W - 30W - 15W - 7.5W - 3W



OPTIONAL ACCESSORY

Rubber coverings for the speaker connection and the wall mounting plate are optionally available (2 sets included).

Item number: LDDQORWMC



TECHNICAL DATA

Item number:	LDDQOR3(B/W)	LDDQOR3T(B/W)
Product type	Installation speaker	
Type	Passive	
Woofers size	3", 76.2 mm	
Woofers magnet	Ferrite	
Woofers brand	Custom Made	
Woofers voice coil	1", 25.4 mm	
Horn	BEM-optimized CD waveguide	
HF driver size	1", 25.4 mm	
HF driver magnet	Neodymium	
HF driver brand	Custom Made	
HF driver voice coil	1", 25.4 mm	
Beam angle (H x V)	120° x 80° (-6 dB)	
Power rating (RMS)	30 W	
Power rating (peak)	60 W (>200Hz)	
Frequency response	85 - 20000 Hz (-10dB)	
Crossover frequency	2200 Hz	
SPL (1 W/1 m)	80 dB	
Max. SPL	98 dB	
Impedance	8 Ohm	16 Ohm
Input select switch	-	70 V - 100 V - 16 Ohm
100V transformer power taps	-	30 - 6 - 3 - 1.5W
70V transformer power taps	-	30 - 6 - 3 - 1.5W
Speaker input connections	4-pole terminal block. Pitch 5.08mm	
Housing material	ABS plastic	
IP protection class	65	
Housing color	White (RAL 9010) / black (RAL 9005)	
Width	114.6 mm	
Height	180 mm	
Depth	180.8 mm	
Included accessories	Bracket for surface mounting Allen key for the safety screw	
Optional accessory	LDDQORWMC (rubber covering set for wall bracket)	
Weight	1.4 kg	2.1 kg

Item number:	LDDQQR5(B/W)	LDDQQR5T(B/W)
Product type	Installation speaker	
Type	Passive	
Woofer size	5.25", 133 mm	
Woofer magnet	Ferrite	
Woofer brand	Custom Made	
Woofer voice coil	1", 25.4 mm	
Horn	BEM-optimized CD waveguide	
HF driver size	1", 25.4 mm	
HF driver magnet	Neodymium	
HF driver brand	Custom Made	
HF driver voice coil	1", 25.4 mm	
Beam angle (H x V)	120° x 80° (-6 dB)	
Power rating (RMS)	70 W	
Power rating (peak)	140 W (>200Hz)	
Frequency response	74 - 20000 Hz (-10dB)	
Crossover frequency	1900 Hz	
SPL (1 W/1 m)	84 dB	
Max. SPL	105 dB	
Impedance	8 Ohm	16 Ohm
Input select switch	-	70 V - 100 V - 16 Ohm
100V transformer power taps	-	70 - 30 - 15 - 7.5 - 3 W
70V transformer power taps	-	70 - 30 - 15 - 7.5 - 3 W
Speaker input connections	4-pole terminal block. Pitch 5.08mm	
Housing material	ABS plastic	
IP protection class	55	
Housing color	White (RAL 9010) / black (RAL 9005)	
Width	156.7 mm	
Height	253.8 mm	
Depth	215.3 mm	
Included accessories	Bracket for surface mounting Allen key for the safety screw	
Optional accessory	LDDQQRWMC (rubber covering set for wall bracket)	
Weight	2.7 kg	3.9 kg

Item number:	LDDQ0R8(B/W)	LDDQ0R8T(B/W)
Product type	Installation speaker	
Type	Passive	
Woofer size	8", 200 mm	
Woofer magnet	Ferrite	
Woofer brand	Custom Made	
Woofer voice coil	2", 50.8 mm	
Horn	BEM-optimized CD waveguide	
HF driver size	1", 25.4 mm	
HF driver magnet	Neodymium	
HF driver brand	Custom Made	
HF driver voice coil	1", 25.4 mm	
Beam angle (H x V)	120° x 80° (-6 dB)	
Power rating (RMS)	120 W	
Power rating (peak)	240 W (>200Hz)	
Frequency response	62 - 20000 Hz (-10dB)	
Crossover frequency	1800 Hz	
SPL (1 W/1 m)	88 dB	
Max. SPL	109 dB	
Impedance	8 Ohm	16 Ohm
Input select switch	-	70 V - 100 V - 16 Ohm
100V transformer power taps	-	120 - 70 - 30 - 15 - 7.5 - 3 W
70V transformer power taps	-	120 - 70 - 30 - 15 - 7.5 - 3 W
Speaker input connections	4-pole terminal block. Pitch 5.08mm	
Housing material	ABS plastic	
IP protection class	55	
Housing color	White (RAL 9010) / black (RAL 9005)	
Width	255.8 mm	
Height	413.9 mm	
Depth	316.4 mm	
Included accessories	Bracket for surface mounting Allen key for the safety screw	
Optional accessory	LDDQ0RWMC (rubber covering set for wall bracket)	
Weight	5.2 kg	7.2 kg

MANUFACTURER'S DECLARATIONS

MANUFACTURER'S WARRANTY & LIMITATIONS OF LIABILITY

You can find our current warranty conditions and limitations of liability at: https://cdn-shop.adamhall.com/media/pdf/MANUFACTURERS-DECLARATIONS_LD_SYSTEMS.pdf To request warranty service for a product, please contact Adam Hall GmbH, Adam-Hall-Str. 1, 61267 Neu Anspach / Email: Info@adamhall.com / +49 (0)6081 / 9419-0.



CORRECT DISPOSAL OF THIS PRODUCT

(valid in the European Union and other European countries with a differentiated waste collection system)

— This symbol on the product, or on its documents indicates that the device may not be treated as household waste. This is to avoid environmental damage or personal injury due to uncontrolled waste disposal. Please dispose of this product separately from other waste and have it recycled to promote sustainable economic activity. Household users should contact either the retailer where they purchased this product, or their local government office, for details on where and how they can recycle this item in an environmentally friendly manner. Business users should contact their supplier and check the terms and conditions of the purchase contract. This product should not be mixed with other commercial waste for disposal.

FCC STATEMENT

1. This device complies with Part 15 of the FCC Rules. Operation is subject to the following two conditions:
 - (1) This device may not cause harmful interference, and
 - (2) This device must accept any interference received, including interference that may cause undesired operation
2. any Changes or modifications not expressly approved by the party responsible for compliance could void the user's authority to operate the equipment.

NOTE: This equipment has been tested and found to comply with the limits for a Class B digital device, pursuant to Part 15 of the FCC Rules. These limits are designed to provide reasonable protection against harmful interference in a residential installation.

This equipment generates uses and can radiate radio frequency energy and, if not installed and used in accordance with the instructions, may cause harmful interference to radio communications. However, there is no guarantee that interference will not occur in a particular installation. If this equipment does cause harmful interference to radio or television reception, which can be determined by turning the equipment off and on, the user is encouraged to try to correct the interference by one or more of the following measures:

Reorient or relocate the receiving antenna.

Increase the separation between the equipment and receiver.

Connect the equipment into an outlet on a circuit different from that to which the receiver is connected.

Consult the dealer or an experienced radio/TV technician for help.

FCC RADIATION EXPOSURE STATEMENT

This equipment complies with FCC radiation exposure limits set forth for an uncontrolled environment. This equipment should be installed and operated with minimum distance 20cm between the radiator & your body

CE COMPLIANCE

Adam Hall GmbH states that this product meets the following guidelines (where applicable):

R&TE (1999/5/EC) or RED (2014/53/EU) from June 2017

Low voltage directive (2014/35/EU)

EMV directive (2014/30/EU)

RoHS (2011/65/EU)

The complete declaration of conformity can be found at www.adamhall.com.

Furthermore, you may also direct your enquiry to info@adamhall.com.

EU DECLARATION OF CONFORMITY

Hereby, Adam Hall GmbH declares that this radio equipment type is in compliance with Directive 2014/53/EU.

The full text of the EU declaration of conformity is available at the following internet address: www.adamhall.com/compliance/

Printing errors and mistakes, as well as technical or other changes are reserved!

SIE HABEN DIE RICHTIGE WAHL GETROFFEN!

Dieses Gerät wurde unter hohen Qualitätsanforderungen entwickelt und gefertigt, um viele Jahre einen reibungslosen Betrieb zu gewährleisten. Dafür steht LD Systems mit seinem Namen und der langjährigen Erfahrung als Hersteller hochwertiger Audioprojekte. Bitte lesen Sie diese Bedienungsanleitung sorgfältig, damit Sie Ihr neues Produkt von LD Systems schnell optimal einsetzen können. Mehr Informationen zu **LD SYSTEMS** finden Sie auf unserer Internetseite WWW.LD-SYSTEMS.COM

SICHERHEITSHINWEISE

1. Lesen Sie diese Anleitung bitte sorgfältig durch.
2. Bewahren Sie alle Informationen und Anleitungen an einem sicheren Ort auf.
3. Befolgen Sie die Anweisungen.
4. Beachten Sie alle Warnhinweise. Entfernen Sie keine Sicherheitshinweise oder andere Informationen vom Gerät.
5. Verwenden Sie das Gerät nur in der vorgesehenen Art und Weise.
6. Verwenden Sie ausschließlich stabile und passende Stative bzw. Befestigungen (bei Festinstallationen). Stellen Sie sicher, dass Wandhalterungen ordnungsgemäß installiert und gesichert sind. Stellen Sie sicher, dass das Gerät sicher installiert ist und nicht herunterfallen kann.
7. Beachten Sie bei der Installation die für Ihr Land geltenden Sicherheitsvorschriften.
8. Installieren und betreiben Sie das Gerät nicht in der Nähe von Heizkörpern, Wärmespeichern, Öfen oder sonstigen Wärmequellen. Sorgen Sie dafür, dass das Gerät immer so installiert ist, dass es ausreichend gekühlt wird und nicht überhitzen kann.
9. Platzieren Sie keine Zündquellen wie z.B. brennende Kerzen auf dem Gerät.
10. Lüftungsschlitze dürfen nicht blockiert werden.
11. Halten Sie einen Mindestabstand von 20 cm seitlich und oberhalb des Geräts ein.
12. Betreiben Sie das Gerät nicht in unmittelbarer Nähe von Wasser. Bringen Sie das Gerät nicht mit brennbaren Materialien, Flüssigkeiten oder Gasen in Berührung. Direkte Sonneneinstrahlung vermeiden!
13. Sorgen Sie dafür, dass kein Tropf- oder Spritzwasser in das Gerät eindringen kann. Stellen Sie keine mit Flüssigkeit gefüllten Behältnisse wie Vasen oder Trinkgefäße auf das Gerät.
14. Sorgen Sie dafür, dass keine Gegenstände in das Gerät fallen können.
15. Betreiben Sie das Gerät nur mit dem vom Hersteller empfohlenen und vorgesehenen Zubehör.
16. Öffnen Sie das Gerät nicht und verändern Sie es nicht.
17. Überprüfen Sie nach dem Anschluss des Geräts alle Kabelwege, um Schäden oder Unfälle, z. B. durch Stolperfallen zu vermeiden.
18. Achten Sie beim Transport darauf, dass das Gerät nicht herunterfallen und dabei möglicherweise Sach- und Personenschäden verursachen kann.
19. Wenn Ihr Gerät nicht mehr ordnungsgemäß funktioniert, Flüssigkeiten oder Gegenstände in das Geräteinnere gelangt sind, oder das Gerät anderweitig beschädigt wurde, schalten Sie es sofort aus und trennen es von der Netzsteckdose (sofern es sich um ein aktives Gerät handelt). Dieses Gerät darf nur von autorisiertem Fachpersonal repariert werden.
20. Verwenden Sie zur Reinigung des Geräts ein trockenes Tuch.
21. Beachten Sie alle in Ihrem Land geltenden Entsorgungsgesetze. Trennen Sie bei der Entsorgung der Verpackung bitte Kunststoff und Papier bzw. Kartonagen voneinander.
22. Kunststoffbeutel müssen außer Reichweite von Kindern aufbewahrt werden.
23. Sämtliche vom Benutzer vorgenommenen Änderungen und Modifikationen, denen die für die Einhaltung der Richtlinien verantwortliche Partei nicht ausdrücklich zugestimmt hat, können zum Entzug der Betriebserlaubnis für das Gerät führen.

BEI GERÄTEN MIT NETZANSCHLUSS

24. **ACHTUNG:** Wenn das Netzkabel des Geräts mit einem Schutzkontakt ausgestattet ist, muss es an einer Steckdose mit Schutzleiter angeschlossen werden. Deaktivieren Sie niemals den Schutzleiter eines Netzkabels.
25. Schalten Sie das Gerät nicht sofort ein, wenn es starken Temperaturschwankungen ausgesetzt war (beispielsweise nach dem Transport). Feuchtigkeit und Kondensat könnten das Gerät beschädigen. Schalten Sie das Gerät erst ein, wenn es Zimmertemperatur erreicht hat.
26. Bevor Sie das Gerät an die Steckdose anschließen, prüfen Sie zuerst, ob die Spannung und die Frequenz des Stromnetzes mit den auf dem Gerät angegebenen Werten übereinstimmen. Verfügt das Gerät über einen Spannungswahlschalter, schließen Sie das Gerät nur an die Steckdose an, wenn die Gerätewerte mit den Werten des Stromnetzes übereinstimmen. Wenn das mitgelieferte Netzkabel bzw. der mitgelieferte Netzadapter nicht in Ihre Netzsteckdose passt, wenden Sie sich an Ihren Elektriker.
27. Treten Sie nicht auf das Netzkabel. Sorgen Sie dafür, dass spannungsführende Kabel speziell an der Netzbuchse bzw. am Netzadapter und der Gerätebuchse nicht geknickt werden.
28. Achten Sie bei der Verkabelung des Geräts immer darauf, dass das Netzkabel bzw. der Netzadapter stets frei zugänglich ist. Trennen Sie das Gerät stets von der Stromzuführung, wenn das Gerät nicht benutzt wird, oder Sie das Gerät reinigen möchten. Ziehen Sie Netzkabel und Netzadapter immer am Stecker bzw. am Adapter und nicht am Kabel aus der Steckdose. Berühren Sie Netzkabel und Netzadapter niemals mit nassen Händen.
29. Schalten Sie das Gerät möglichst nicht schnell hintereinander ein und aus, da sonst die Lebensdauer des Geräts beeinträchtigt werden könnte.
30. **WICHTIGER HINWEIS:** Ersetzen Sie Sicherungen ausschließlich durch Sicherungen des gleichen Typs und Wertes. Sollte eine Sicherung wiederholt auslösen, wenden Sie sich bitte an ein autorisiertes Servicezentrum.
31. Um das Gerät vollständig vom Stromnetz zu trennen, entfernen Sie das Netzkabel bzw. den Netzadapter aus der Steckdose.
32. Wenn Ihr Gerät mit einem verriegelbaren Netzanschluss bestückt ist, muss der passende Gerätestecker entsperrt werden, bevor er entfernt werden kann. Das bedeutet aber auch, dass das Gerät durch ein Ziehen am Netzkabel verrutschen und herunterfallen kann, wodurch Personen verletzt werden und/oder andere Schäden auftreten können. Verlegen Sie Ihre Kabel daher immer sorgfältig.
33. Entfernen Sie Netzkabel und Netzadapter aus der Steckdose bei Gefahr eines Blitzschlags oder wenn Sie das Gerät länger nicht verwenden.
34. Das Gerät darf nicht von Personen (einschließlich Kindern) mit eingeschränkten körperlichen, sensorischen oder geistigen Fähigkeiten oder mangelnder Erfahrung und Kenntnis benutzt werden.
35. Kinder müssen angewiesen werden, nicht mit dem Gerät zu spielen.

36. Wenn das Netzkabel des Geräts beschädigt ist, darf das Gerät nicht verwendet werden. Das Netzkabel muss durch ein adäquates Kabel oder eine spezielle Baugruppe von einem autorisierten Service-Center ersetzt werden.



ACHTUNG

Entfernen Sie niemals die Abdeckung, da sonst das Risiko eines elektrischen Schlages besteht. Im Inneren des Geräts befinden sich keine Teile, die vom Bediener repariert oder gewartet werden können. Lassen Sie Wartung und Reparaturen ausschließlich von qualifiziertem Servicepersonal durchführen.



Das gleichseitige Dreieck mit Blitzsymbol warnt vor nichtisolierten, gefährlichen Spannungen im Geräteinneren, die einen elektrischen Schlag verursachen können.



Das gleichseitige Dreieck mit Ausrufungszeichen kennzeichnet wichtige Bedienungs- und Wartungshinweise.



Warnung! Dieses Symbol kennzeichnet heiße Oberflächen. Während des Betriebs können bestimmte Teile des Gehäuses heiß werden. Berühren oder transportieren Sie das Gerät nach einem Einsatz erst nach einer Abkühlzeit von mindestens 10 Minuten.



Warnung! Dieses Gerät ist für eine Nutzung bis zu einer Höhe von maximal 2000 Metern über dem Meeresspiegel bestimmt.



Warnung! Dieses Gerät ist nicht für den Einsatz in tropischen Klimazonen bestimmt.

ACHTUNG HOHE LAUTSTÄRKEN BEI AUDIOPRODUKTEN!

Dieses Gerät ist für den professionellen Einsatz vorgesehen. Der kommerzielle Betrieb dieses Geräts unterliegt den jeweils gültigen nationalen Vorschriften und Richtlinien zur Unfallverhütung. Als Hersteller ist Adam Hall gesetzlich verpflichtet, Sie ausdrücklich auf mögliche Gesundheitsrisiken hinzuweisen. Gehörschäden durch hohe Lautstärken und Dauerbelastung: Bei der Verwendung dieses Produkts können hohe Schalldruckpegel (SPL) erzeugt werden, die bei Künstlern, Mitarbeitern und Zuschauern zu irreparablen Gehörschäden führen können. Vermeiden Sie länger anhaltende Belastung durch hohe Lautstärken über 90 dB.

EINFÜHRUNG

LD Systems präsentiert eine neue Serie von Installationslautsprechern für den Außen- und Innenbereich. Die 2-Wege-Systeme im neuen dynamischen LD Systems Design sind als niederohmige Version (8 Ohm) und als hochohmige Version mit Schalter für die unterschiedlichen Transformatorabgriffe in 70V- bzw. 100V-Anwendungen erhältlich. Verfügbar sind die Lautsprecher in den Größen 3", 5,25" und 8". Für die flexible Integration in eine Vielzahl von Innen- und Außenbeschallungssystemen verfügen die Lautsprecher über eine integrierte Wandhalterung sowie einen praktischen Schiebe- und Verriegelungsmechanismus. Dank des integrierten Anschlussfelds können die Lautsprecher auch in optisch anspruchsvollen Umgebungen ohne sichtbare Kabelwege eingesetzt werden. Darüber hinaus ermöglicht der 27° Neigungs- und der 45° Schwenkmechanismus eine genaue Positionierung für eine präzise Schallabdeckung. Die neuen Outdoor Lautsprecher sind in Schwarz und Weiß erhältlich.

EIGENSCHAFTEN - MODELLE MIT TRANSFORMATOR

- Neues dynamisches LD Systems Lautsprecherdesign
- 2-Wege Lautsprechersystem
- Integrierte Wandhalterung mit Verriegelungsmechanismus und Lautsprecheranschlüssen
- Geeignet für Außen- und Innenanwendungen
- Aluminiumgitter für besten Korrosionsschutz
- Vertikale und horizontale Ausrichtung möglich, mit 27° Tilt und 45° Pan Winkel
- BEM-optimiertes Waveguide für konstante Richtcharakteristik
- Breiter horizontaler Abstrahlwinkel von 120° und vertikaler Abstrahlwinkel von 80°
- 3-fach Eingangswahlschalter (16Ω / 70V / 100V) und Schalter für die Transformatorabgriffe
- Sehr geringe Transformatorsättigung
- Erhältlich in Schwarz (RAL 9005 = Artikelnummerendung B) und Weiß (RAL 9010 = Artikelnummerendung W)
- Schutzart
 - IP65 = DQOR3T (B/W)
 - IP55 = DQOR5T (B/W) & DQOR8T (B/W)

DQOR3T (B/W) - 2-Wege Lautsprechersystem mit 3" Tieftöner und 1" Titan-Hochtöner mit FerroFluid™-Kühlung
30W @ 16 Ohm, Transformatorabgriffe 30W - 6W - 3W - 1,5W

DQOR5T (B/W) - 2-Wege Lautsprechersystem mit 5,25" Tieftöner und 1" Titan-Hochtöner mit FerroFluid™-Kühlung
70W @ 16 Ohm, Transformatorabgriffe 70W - 30W - 15W - 7,5W - 3W

DQOR8T (B/W) - 2-Wege Lautsprechersystem mit 8" Tieftöner und 1" Titan-Hochtöner mit FerroFluid™-Kühlung
120W @ 16 Ohm, Transformatorabgriffe 120 W - 70W - 30W - 15W - 7,5W - 3W

LIEFERUMFANG

- DQOR3T (B/W) und DQOR5T (B/W) - 1 Paar Lautsprecher / DQOR8T (B/W) - 1 Lautsprecher
- Sechskantwerkzeug für die Sicherungsschraube der Wandhalterung
- Bedienungsanleitung

EIGENSCHAFTEN - NIEDEROHMIGE MODELLE

- Neues dynamisches LD Systems Lautsprecherdesign
- 2-Wege Lautsprechersystem
- Integrierte Wandhalterung mit Verriegelungsmechanismus und Lautsprecheranschlüssen
- Geeignet für Außen- und Innenanwendungen
- Aluminiumgitter für besten Korrosionsschutz
- Vertikale und horizontale Ausrichtung möglich, mit 27° Tilt und 45° Pan Winkel
- BEM-optimiertes Waveguide für konstante Richtcharakteristik
- Breiter horizontaler Abstrahlwinkel von 120° und vertikaler Abstrahlwinkel von 80°
- Erhältlich in Schwarz (RAL 9005 = Artikelnummerendung B) und Weiß (RAL 9010 = Artikelnummerendung W)
- Schutzart
 - IP65 = DQOR3T (B/W)
 - IP55 = DQOR5T (B/W) & DQOR8T (B/W)

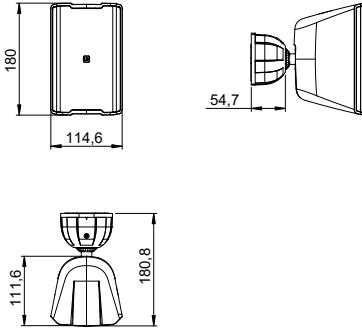
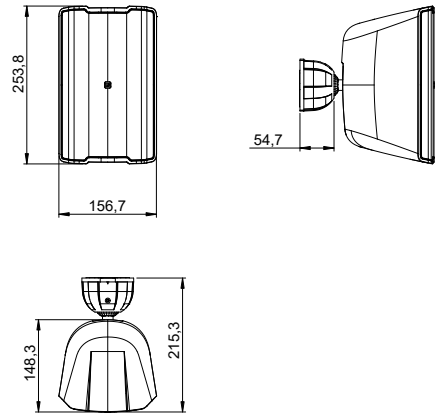
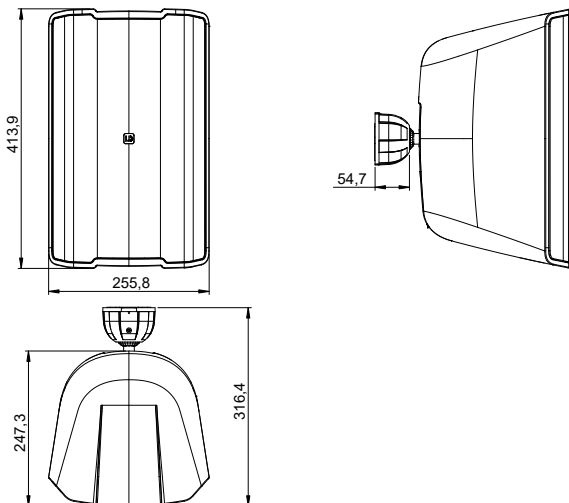
DQOR3 (B/W) - 2-Wege Lautsprechersystem mit 3" Tieftöner und 1" Titan-Hochtöner mit FerroFluid™-Kühlung
30W Belastbarkeit, 8 Ohm Impedanz

DQOR5 (B/W) - 2-Wege Lautsprechersystem mit 5,25" Tieftöner und 1" Titan-Hochtöner mit FerroFluid™-Kühlung
70W Belastbarkeit, 8 Ohm Impedanz

DQOR8 (B/W) - 2-Wege Lautsprechersystem mit 8" Tieftöner und 1" Titan-Hochtöner mit FerroFluid™-Kühlung
120W Belastbarkeit, 8 Ohm Impedanz

LIEFERUMFANG

- DQOR3 (B/W) und DQOR5 (B/W) - 1 Paar Lautsprecher / DQOR8 (B/W) - 1 Lautsprecher
- Sechskantwerkzeug für die Sicherungsschraube der Wandhalterung
- Bedienungsanleitung

ABMESSUNGEN (MM)**DQOR3 / DQOR3T****DQOR5 / DQOR5T****DQOR8 / DQOR8T**

WANDMONTAGEPLATTE

In der runden Wandmontageplatte befinden sich 4 Löcher zur Befestigung an einer Wand. Bitte beachten Sie, dass zum Befestigen der Platte Senkkopfschrauben erforderlich sind, deren flacher Kopf bündig mit der Platte abschließt (Schrauben nicht im Lieferumfang enthalten). Die Wandmontageplatte ist mit einem 4-poligen Klemmblock, Gleitkontakten und zwei Öffnungen für Lautsprecherkabel ausgestattet.



1 KLEMMBLOCK

4-poliger Klemmblock mit Federklemmung zum Anschließen eines Lautsprecherkabels bis 2,5mm² Querschnitt und zum Weiterleiten des Verstärkersignals an weitere, parallel verkabelte Lautsprecher. Für die korrekte Polung beachten Sie bitte die Kennzeichnungen direkt über den Kontakten. Öffnen Sie die Klemmkontakte des Klemmblocks, indem Sie einen kleinen Schraubendreher mit flacher Klinge in die kleine Öffnung oberhalb des jeweiligen Kontakts schieben. Führen Sie nun die abisolierte Lautsprecherleitung in den Klemmkontakt ein und ziehen zum Schließen des Klemmkontakts den Schraubendreher wieder aus der Öffnung.

2 ZENTRALE KABELDURCHFÜHRUNG

Zentrale Kabeldurchführung für in einer Wand installierte Lautsprecherkabel. Ziehen Sie das aus der Wand kommende Kabel vorsichtig durch die vorhandene 2mm Bohrung in der Gummiabdichtung. Die Bohrung in der Gummiabdichtung wird dadurch gedehnt und umschließt somit das Kabel.

Bei Montage im Außenbereich: Sollte die Gummiabdichtung bei der Montage einreißen, verschließen Sie Risse und offene Stellen in der Gummiabdichtung mit Hilfe von Silikon Dichtmasse.

3 GLEITKONTAKTE

Sobald der Lautsprecher korrekt mit der Wandmontageplatte verbunden ist, wird das vom Verstärker kommende Lautsprechersignal über die Gleitkontakte an den Lautsprecher übertragen.

4 UNTERE KABELDURCHFÜHRUNG

Untere Kabeldurchführung für auf einer Wand installierte Lautsprecherkabel. Um die Kabeldurchführung freizugeben, muss die Verschlusskappe aus Kunststoff vor dem Anbringen der Wandmontageplatte an einer Wand entfernt werden.

Bei Montage im Außenbereich: Verschließen Sie offene Stellen zwischen Kabel und Kabeldurchführung nach der Installation mit Hilfe von Silikon Dichtmasse.



WANDMONTAGE

Der Lautsprecher verfügt über eine Wandhalterung mit einem praktischen Verriegelungsmechanismus. Dank des integrierten Anschlussfelds kann der Lautsprecher auch in optisch anspruchsvollen Umgebungen ohne sichtbare Kabel eingesetzt werden. Der 27° Neigungs- und 45° Schwenkmechanismus ermöglicht eine genaue Positionierung für eine präzise Schallabdeckung.



Wichtige Sicherheitshinweise: Überkopfmontage erfordert umfassende Erfahrung, einschließlich der Berechnung der Grenzwerte für die Arbeitslast, des verwendeten Installationsmaterials und der regelmäßigen Sicherheitsüberprüfung aller Installationsmaterialien und Lautsprecher. Wenn Sie diese Qualifikationen nicht haben, versuchen Sie nicht, eine Installation selbst durchzuführen, sondern nutzen Sie die Hilfe von professionellen Unternehmen.

1 Nehmen Sie die Wandmontageplatte vor der Installation des Lautsprechers von der Wandhalterung. Lösen Sie hierfür die Sicherungsschraube **B** in der kuppelförmigen Überwurfmutter mit Hilfe des beiliegenden Sechskantwerkzeugs, drehen die Überwurfmutter gegen den Uhrzeigersinn von der Wandhalterung und ziehen die Wandmontageplatte **B** nach unten von der Wandhalterung.

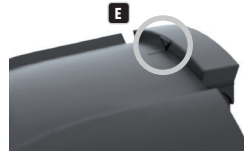
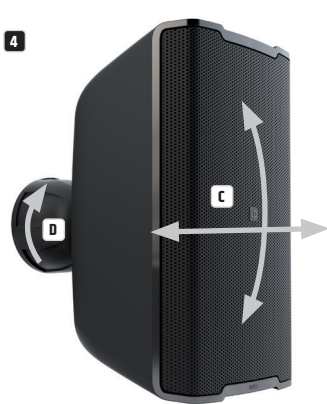




2 Befestigen Sie die Wandmontageplatte mit dem Klemmblock nach oben zeigend mit Hilfe von geeignetem Befestigungsmaterial sicher an einer ausreichend tragfähigen Wand. Bei unter Putz verlegten Lautsprecherkabeln muss das entsprechende Kabel vor dem Befestigen der Wandmontageplatte durch die zentrale Kabeldurchführung gesteckt werden. Verbinden Sie nun die Lautsprecherkabel mit den entsprechenden Kontakten des Klemmblocks.

3 Schieben Sie den Lautsprecher mit der Wandhalterung von oben auf die Wandmontageplatte, in der Art, dass die Kontakte am Lautsprecher in die Führungsnuten der Gleitkontakte der Wandmontageplatte gleiten und der Haltehaken in die entsprechende Aussparung greift.

4 Mit Hilfe des Kugelgelenks in der Wandhalterung kann der Lautsprecher in die vertikale oder die horizontale Position gedreht werden (Drehung in beide Richtungen maximal 180°). Dann neigen und schwenken Sie den Lautsprecher in die gewünschte Abstrahlrichtung **C**. Fixieren Sie nun den Lautsprecher, indem Sie die kuppelförmige Überwurfmutter **D** im Uhrzeigersinn fest auf das zugehörige Gewinde schrauben, so weit, bis die Markierung auf der Überwurfmutter entweder mit der Markierung auf dem Haltehaken **E** oder der Markierung auf der Wandmontageplatte **F** übereinstimmt, damit sichergestellt ist, dass die Sicherungsschraube auch in eines der beiden Durchgangslöcher in der Spannzange greifen kann.



5 Sichern Sie das Kugelgelenk und die kuppelförmige Überwurfmutter gegen Verstellen, indem Sie die Sicherungsschraube in der Überwurfmutter in Hilfe des beigelegten Sechskantwerkzeugs im Uhrzeigersinn festziehen **G**. Achten Sie dabei darauf, dass die Schraube vollständig versenkt ist.



MODELLE MIT TRANSFORMATOR

Der 3-fach-Schalter für die Betriebsart und der Schalter für die Transformatorabgriffe befinden sich bei den Modellen DQOR 3T(B/W), DQOR 5T(B/W) und DQOR 8T(B/W) in einem Bedienfach hinter einer wasserdichten Gummiabdeckung **A** unterhalb der Wandhalterung. Heben Sie die Gummiabdeckung an, um die gewünschten Einstellungen vorzunehmen und verschließen das Bedienfach danach wieder sorgfältig.



1 BETRIEBSART 16 Ω / 70V / 100V

3-Weg-Schalter zum Anpassen des Installationslautsprechers an 70V bzw. 100V Installationsverstärker oder Verstärker mit niederohmigem Ausgang (16 Ohm). Bringen Sie den Schalter vor dem Anschließen an den Verstärker in die entsprechende Position.

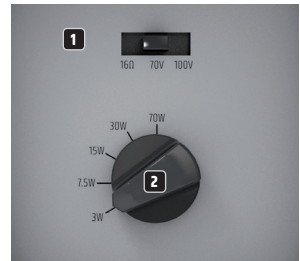
2 TRANSFORMATORABGRIFFE

Schalter zum Auswählen des gewünschten Transformatorabgriffs (im Beispiel Modell DQOR5TW).

DQOR 3T(B/W): 30W - 6W - 3W - 1.5W

DQOR 5T(B/W): 70W - 30W - 15W - 7.5W - 3W

DQOR 8T(B/W): 120W - 70W - 30W - 15W - 7.5W - 3W



OPTIONALES ZUBEHÖR

Gummiabdeckungen für den Lautsprecheranschluss und die Wandmontageplatte sind optional erhältlich (Inhalt 2 Sätze).

Artikelnummer: LDDQORWMC



TECHNISCHE DATEN

Artikelnummer:	LDDQQR3(B/W)	LDDQQR3T(B/W)
Produktart	Installationslautsprecher	
Typ	Passive	
Größe Tieftöner	3", 76,2 mm	
Magnet Tieftöner	Ferrit	
Marke Tieftöner	Custom Made	
Schwingspule Tieftöner	1", 25,4 mm	
Horn	BEM optimierter CD Waveguide	
Größe HF Treiber	1", 25,4 mm	
Magnet HF Treiber	Neodym	
Marke HF Treiber	Custom Made	
Schwingspule HF Treiber	1", 25,4 mm	
Abstrahlwinkel (H x V)	120° x 80° (-6 dB)	
Belastbarkeit (RMS)	30 W	
Belastbarkeit (Peak)	60 W (>200Hz)	
Frequenzgang	85 - 20000 Hz (-10dB)	
Übernahmefrequenz	2200 Hz	
SPL (1 W/1 m)	80 dB	
Max. SPL	98 dB	
Impedanz	8 Ohm	16 Ohm
Eingangs-Wahlschalter	-	70 V - 100 V - 16 Ohm
100V Transformatorleistung (Tabs)	-	30 - 6 - 3 - 1,5W
70V Transformatorleistung (Tabs)	-	30 - 6 - 3 - 1,5W
Lautsprechereingangsanschlüsse	4-pole Terminal Block. Pitch 5,08mm	
Gehäusematerial	ABS Kunststoff	
IP Schutzklasse	65	
Gehäusefarbe	Weiß (RAL 9010) / Schwarz (RAL 9005)	
Breite	114,6 mm	
Höhe	180 mm	
Tiefe	180,8 mm	
Zubehör (im Lieferumfang)	Halterung für Oberflächenmontage, Imbusschlüssel für die Sicherheitsschraube	
Optionales Zubehör	LDDQQRWMC (Gummiabdeckungssatz für Wandhalterung)	
Gewicht	1,4 kg	2,1 kg

ENGLISH

DEUTSCH

FRANÇAIS

ESPAÑOL

POLSKI

ITALIANO

ENGLISH

DEUTSCH

FRANÇAIS

ESPAÑOL

POLSKI

ITALIANO

Artikelnummer:	LDDQR5(B/W)	LDDQR5T(B/W)
Produktart	Installationslautsprecher	
Typ	Passive	
Größe Tieftöner	5,25", 133 mm	
Magnet Tieftöner	Ferrit	
Marke Tieftöner	Custom Made	
Schwingspule Tieftöner	1", 25,4 mm	
Horn	BEM optimierter CD Waveguide	
Größe HF Treiber	1", 25,4 mm	
Magnet HF Treiber	Neodym	
Marke HF Treiber	Custom Made	
Schwingspule HF Treiber	1", 25,4 mm	
Abstrahlwinkel (H x V)	120° x 80° (-6 dB)	
Belastbarkeit (RMS)	70 W	
Belastbarkeit (Peak)	140 W (>200Hz)	
Frequenzgang	74 - 20000 Hz (-10dB)	
Übernahmefrequenz	1900 Hz	
SPL (1 W/1 m)	84 dB	
Max. SPL	105 dB	
Impedanz	8 Ohm	16 Ohm
Eingangs-Wahlschalter	-	70 V - 100 V - 16 Ohm
100V Transformatorleistung (Tabs)	-	70 - 30 - 15 - 7,5 - 3 W
70V Transformatorleistung (Tabs)	-	70 - 30 - 15 - 7,5 - 3 W
Lautsprechereingangsanschlüsse	4-pole Terminal Block. Pitch 5,08mm	
Gehäusematerial	ABS Kunststoff	
IP Schutzklasse	55	
Gehäusefarbe	Weiß (RAL 9010) / Schwarz (RAL 9005)	
Breite	156,7 mm	
Höhe	253,8 mm	
Tiefe	215,3 mm	
Zubehör (im Lieferumfang)	Halterung für Oberflächenmontage, Imbusschlüssel für die Sicherheitsschraube	
Optionales Zubehör	LDDQRWMC (Gummiabdeckungssatz für Wandhalterung)	
Gewicht	2,7 kg	3,9 kg

Artikelnummer:	LDDQ0R8(B/W)	LDDQ0R8T(B/W)
Produktart	Installationslautsprecher	
Typ	Passive	
Größe Tieftöner	8", 200 mm	
Magnet Tieftöner	Ferrit	
Marke Tieftöner	Custom Made	
Schwingspule Tieftöner	2", 50,8 mm	
Horn	BEM optimierter CD Waveguide	
Größe HF Treiber	1", 25,4 mm	
Magnet HF Treiber	Neodym	
Marke HF Treiber	Custom Made	
Schwingspule HF Treiber	1", 25,4 mm	
Abstrahlwinkel (H x V)	120° x 80° (-6 dB)	
Belastbarkeit (RMS)	120 W	
Belastbarkeit (Peak)	240 W (>200Hz)	
Frequenzgang	62 - 20000 Hz (-10dB)	
Übernahmefrequenz	1800 Hz	
SPL (1 W/1 m)	88 dB	
Max. SPL	109 dB	
Impedanz	8 Ohm	16 Ohm
Eingangs-Wahlschalter	-	70 V - 100 V - 16 Ohm
100V Transformatorleistung (Tabs)	-	120 - 70 - 30 - 15 - 7,5 - 3 W
70V Transformatorleistung (Tabs)	-	120 - 70 - 30 - 15 - 7,5 - 3 W
Lautsprechereingangsanschlüsse	4-pole Terminal Block. Pitch 5,08mm	
Gehäusematerial	ABS Kunststoff	
IP Schutzklasse	55	
Gehäusefarbe	Weiß (RAL 9010) / Schwarz (RAL 9005)	
Breite	255,8 mm	
Höhe	413,9 mm	
Tiefe	316,4 mm	
Zubehör (im Lieferumfang)	Halterung für Oberflächenmontage, Imbusschlüssel für die Sicherheitsschraube	
Optionales Zubehör	LDDQ0RWMC (Gummiabdeckungssatz für Wandhalterung)	
Gewicht	5,2 kg	7,2 kg

HERSTELLERERKLÄRUNGEN

HERSTELLERGARANTIE & HAFTUNGSBESCHRÄNKUNG

Unsere aktuellen Garantiebedingungen und Haftungsbeschränkung finden Sie unter: https://cdn-shop.adamhall.com/media/pdf/MANUFACTURERS-DECLARATIONS_LD_SYSTEMS.pdf. Im Service Fall wenden Sie sich bitte an Adam Hall GmbH, Adam-Hall-Str. 1, 61267 Neu Anspach / E-Mail Info@adamhall.com / +49 (0)6081 / 9419-0.



KORREKTE ENTSORGUNG DIESES PRODUKTS

(Gültig in der Europäischen Union und anderen europäischen Ländern mit Mülltrennung) Dieses Symbol auf dem Produkt oder dazugehörigen Dokumenten weist darauf hin, dass das Gerät am Ende der Produktlebenszeit nicht zusammen mit dem normalen Hausmüll entsorgt werden darf, um Umwelt- oder Personenschäden durch unkontrollierte Abfallentsorgung zu vermeiden. Bitte entsorgen Sie dieses Produkt getrennt von anderen Abfällen und führen es zur Förderung nachhaltiger Wirtschaftskreisläufe dem Recycling zu. Als Privatkunde erhalten Sie Informationen zu umweltfreundlichen Entsorgungsmöglichkeiten über den Händler, bei dem das Produkt erworben wurde, oder über die entsprechenden regionalen Behörden. Als gewerblicher Nutzer kontaktieren Sie bitte Ihren Lieferanten und prüfen die ggf. vertraglich vereinbarten Konditionen zur Entsorgung der Geräte. Dieses Produkt darf nicht zusammen mit anderen gewerblichen Abfällen entsorgt werden.

CE-KONFORMITÄT

Hiermit erklärt die Adam Hall GmbH, dass dieses Produkt folgenden Richtlinien entspricht (soweit zutreffend):
 R&TTE (1999/5/EG) bzw. RED (2014/53/EU) ab Juni 2017
 Niederspannungsrichtlinie (2014/35/EU)
 EMV-Richtlinie (2014/30/EU)
 RoHS (2011/65/EU)
 Die vollständige Konformitätserklärung finden Sie unter www.adamhall.com.
 Des Weiteren können Sie diese auch unter info@adamhall.com anfragen.

EG-KONFORMITÄTSERKLÄRUNG

Hiermit erklärt die Adam Hall GmbH, dass dieser Funkanlagentyp der Richtlinie 2014/53/EU entspricht.
 Der vollständige Text der EU-Konformitätserklärung ist unter der folgenden Internetadresse verfügbar: www.adamhall.com/compliance/

Druckfehler und Irrtümer, sowie technische oder sonstige Änderungen sind vorbehalten!

VOUS AVEZ FAIT LE BON CHOIX !

LD Systems a conçu ce produit de sorte qu'il reste fiable au fil des années. Fabricant de renom et fort d'une longue expérience dans la conception de produits audio de qualité, LD Systems vise la robustesse. Lisez attentivement le présent manuel afin de tirer rapidement le meilleur parti de votre produit LD Systems. Pour plus d'informations concernant **LD SYSTEMS**, rendez-vous sur WWW.LD-SYSTEMS.COM.

INFORMATIONS DE SÉCURITÉ

1. Lisez attentivement ces instructions.
2. Conservez toutes ces informations et instructions dans un endroit sûr.
3. Suivez ces instructions.
4. Observez tous les avertissements de sécurité. Ne retirez ni les avertissements ni toute autre information figurant sur l'équipement.
5. N'utilisez l'équipement que de la manière et qu'aux fins pour lesquelles il a été conçu.
6. Dans le cas d'installations fixes, utilisez uniquement des supports ou fixations suffisamment stables et compatibles. Veillez à ce que les fixations murales soient correctement installées et fixées. Assurez-vous que l'équipement est bien fixé et qu'il ne peut pas tomber.
7. Pendant l'installation, respectez les réglementations en matière de sécurité en vigueur dans votre pays.
8. N'installez ni n'utilisez l'équipement près de radiateurs, de grilles de chauffage, de fours ou de toute autre source de chaleur. Assurez-vous d'installer l'équipement de sorte qu'il soit suffisamment refroidi et qu'il ne puisse pas surchauffer.
9. Ne placez jamais d'objets enflammés, tels que des bougies, sur l'équipement.
10. Les fentes d'aération ne doivent pas être bloquées.
11. Laissez un espace vide de 20 cm autour et au-dessus de l'équipement.
12. N'utilisez pas cet équipement à proximité de sources d'eau (sauf si l'équipement est spécialement conçu pour une utilisation en extérieur, auquel cas, suivez les instructions spéciales ci-dessous). N'exposez pas cet équipement à des matériaux, fluides ou gaz inflammables. Évitez également de l'exposer directement à la lumière du soleil.
13. Assurez-vous qu'aucune goutte d'eau ou éclaboussure ne peut s'infiltrer dans l'équipement. Ne placez aucun contenant rempli de liquide, tel que des vases ou des verres, sur l'équipement.
14. Assurez-vous que rien ne peut tomber sur l'équipement.
15. N'utilisez cet équipement qu'avec les accessoires recommandés et prévus par le fabricant.
16. N'ouvrez ni ne modifiez l'équipement.
17. Après avoir connecté l'équipement, vérifiez tous les câbles afin d'éviter tout accident ou dégât pouvant, par exemple, découler d'un trébuchement.
18. Durant le transport de l'équipement, assurez-vous qu'il ne peut pas tomber de sorte qu'il n'entraîne aucun dommage matériel ni aucune blessure corporelle.
19. Si l'équipement ne fonctionne plus correctement, que des fluides ou tout autre objet s'y sont infiltrés ou qu'il est endommagé de quelque autre façon que ce soit, arrêtez-le immédiatement et débranchez-le de la prise secteur (s'il s'agit d'un appareil électrique). Seul un professionnel agréé et qualifié est autorisé à réparer l'équipement.
20. Nettoyez l'équipement à l'aide d'un tissu sec.
21. Respectez toute loi relative à l'élimination des déchets en vigueur dans votre pays. Veillez à trier le contenu de l'emballage en séparant le plastique du papier et du carton.
22. Les sacs plastiques doivent être tenus hors de portée des enfants.
23. Veuillez noter que toute modification apportée à l'équipement non autorisée par la partie responsable de la conformité peut entraîner l'annulation du droit d'utilisation de l'équipement dont jouit l'utilisateur.

INSTRUCTIONS RELATIVES AUX ÉQUIPEMENTS RACCORDÉS AU SECTEUR

24. **ATTENTION** : si la fiche d'alimentation de l'appareil est dotée d'un contact de terre, elle doit être raccordée à une prise mise à la terre. N'enlevez pas le dispositif de mise à la terre de la fiche.
25. Si l'équipement a subi de fortes variations de température (par exemple, après son transport), ne l'allumez pas immédiatement. L'humidité et la condensation peuvent endommager l'équipement. N'allumez pas l'équipement tant qu'il n'est pas à température ambiante.
26. Avant de raccorder l'équipement à la prise de courant, vérifiez d'abord que la tension et la fréquence du secteur correspondent aux valeurs indiquées sur celui-ci. Si l'équipement est doté d'un sélecteur de tension, raccordez-le à la prise de courant uniquement si les valeurs qui y sont indiquées correspondent aux valeurs d'alimentation du secteur. Si la fiche ou l'adaptateur d'alimentation n'est pas adapté à la prise, contactez un électricien.
27. Ne marchez pas sur le câble d'alimentation. Assurez-vous que le câble d'alimentation ne s'entortille pas, notamment au niveau de la prise de courant ou de l'adaptateur d'alimentation et du connecteur de l'équipement.
28. Lors du raccordement de l'équipement, veillez à ce qu'il soit toujours possible d'accéder au câble ou à l'adaptateur d'alimentation. Mettez toujours l'équipement hors tension si vous ne l'utilisez pas ou que vous voulez le nettoyer. Débranchez le câble d'alimentation de la prise secteur en le saisissant par la fiche ou l'adaptateur. Ne tirez jamais sur le câble lui-même. Ne touchez jamais le câble ou l'adaptateur d'alimentation si vous avez les mains mouillées.
29. Lorsque cela est possible, évitez d'éteindre et de rallumer l'équipement plusieurs fois à la suite, car cela peut réduire sa durée de vie.
30. **IMPORTANT** : remplacez les fusibles uniquement par d'autres de même type et présentant les mêmes caractéristiques. Si les fusibles sautent constamment, contactez un centre de réparation agréé.
31. Pour mettre l'équipement complètement hors tension, débranchez le câble ou l'adaptateur d'alimentation de la prise.
32. Si l'équipement est doté d'un connecteur Volex, celui-ci doit être déverrouillé avant d'être retiré. Toutefois, cela signifie également que l'équipement peut glisser et tomber si le câble d'alimentation est tiré, entraînant ainsi des blessures corporelles ou tout autre dégât. Faites donc attention lorsque vous posez les câbles.
33. Débranchez le câble ou l'adaptateur d'alimentation de la prise en cas de risque d'orage ou si vous prévoyez de ne pas utiliser l'équipement sur une longue période.
34. L'équipement n'est pas destiné à être utilisé par toute personne (y compris des enfants) présentant des capacités physiques, sensorielles ou mentales réduites, ou manquant de l'expérience et des connaissances nécessaires à son utilisation.
35. Veillez à ce qu'aucun enfant ne joue avec l'équipement.
36. N'utilisez pas l'équipement si son câble d'alimentation est endommagé. Le câble d'alimentation doit être remplacé par un câble ou un assemblage adapté et l'opération doit être effectuée par un centre de réparation agréé.

**ATTENTION**

Afin de réduire le risque d'électrocution, ne retirez pas le boîtier (ou la partie arrière) de l'équipement. Vous ne devez réparer aucune pièce de ce dernier. Toute opération d'entretien et de réparation doit être exclusivement effectuée par un professionnel qualifié.



Le triangle d'avertissement comprenant un symbole d'éclair indique la présence de composants alimentés et non isolés dangereux à l'intérieur de l'unité pouvant causer une électrocution.



Le triangle d'avertissement comprenant un point d'exclamation indique des instructions d'utilisation et d'entretien importantes.



Avertissement : ce symbole indique la présence d'une surface chaude. Certaines parties du boîtier de l'équipement peuvent devenir chaudes durant l'utilisation de ce dernier. Après avoir utilisé l'équipement, laissez-le se refroidir pendant au moins 10 minutes avant de le manipuler ou de le transporter.



Avertissement : cet appareil est conçu pour fonctionner à une altitude inférieure à 2 000 mètres.



Avertissement : ce produit n'est pas conçu pour être utilisé dans des climats tropicaux.

ATTENTION : VOLUME SONORE ÉLEVÉ

Cet appareil est conçu pour un usage professionnel. Par conséquent, son utilisation commerciale est soumise aux réglementations nationales en vigueur relatives à la prévention des accidents. En tant que fabricant, la société Adam Hall est tenue de vous informer officiellement de l'existence d'éventuels risques sanitaires.

Lésions auditives découlant d'une exposition prolongée à un volume sonore élevé : lors de son utilisation, ce produit peut produire un niveau de pression acoustique élevé pouvant entraîner des lésions auditives irréversibles chez les artistes, employés et le public qui y sont soumis. Évitez donc toute exposition prolongée à un volume sonore supérieur à 90 dB.

INTRODUCTION

LD Systems présente une nouvelle série d'enceintes d'installation destinées à un usage intérieur ou extérieur. Les systèmes bidirectionnels du nouveau modèle dynamique de LD Systems existent en version à basse impédance (8 Ω) et en version à haute impédance dotée d'un commutateur pour les différents réglages des transformateurs : 70 V ou 100 V. Les haut-parleurs existent dans les dimensions suivantes : 3", 5,25" et 8". Afin de pouvoir les intégrer facilement à différents systèmes audio intérieur et extérieur, les haut-parleurs disposent d'un support de montage mural intégré et d'une glissière de verrouillage. Les haut-parleurs peuvent également être utilisés dans des environnements où les exigences visuelles sont strictes grâce au panneau de connexion intégré qui élimine les câbles visibles. En outre, le mécanisme d'inclinaison selon un angle de 27° et de rotation selon un angle de 45° permet de positionner les enceintes avec précision pour des performances audio optimisées. Les nouveaux haut-parleurs extérieurs existent en noir et en blanc.

CARACTÉRISTIQUES : MODÈLES AVEC TRANSFORMATEUR

- Nouveau modèle dynamique de haut-parleurs LD Systems
- Système de haut-parleurs bidirectionnels
- Support mural avec mécanisme de verrouillage et connexions au haut-parleur intégrés
- Adapté à une utilisation en intérieur et en extérieur
- Grille en aluminium pour une meilleure protection contre la rouille
- Orientation verticale et horizontale selon un angle d'inclinaison de 27° et un angle de rotation de 45°
- Guide d'ondes BEM optimisé pour une directivité constante
- Angle de dispersion horizontal de 120° et vertical de 80°
- Commutateur de sélection d'entrée à 3 positions (16 Ω/70 V/100 V) et commutateur rotatif pour les réglages transformateur
- Très faible saturation du transformateur
- Disponible en noir (RAL 9005 = nom de l'article se terminant par B) et en blanc (RAL 9010 = nom de l'article se terminant par W)
- Type de protection
 - IP65 = DQOR3T (B/W)
 - IP55 = DQOR5T (B/W) et DQOR8T (B/W)

DQOR3T (B/W) : système de haut-parleurs bidirectionnels avec boomer 3" et tweeter 1" en titane à refroidissement FerroFluid™
30 W à 16 Ω ; réglages transformateur 30 W - 6 W - 3 W - 1,5 W

DQOR5T (B/W) : système de haut-parleurs bidirectionnels avec boomer 5,25" et tweeter 1" en titane à refroidissement FerroFluid™
70 W à 16 Ω ; réglages transformateur 70 W - 30 W - 15 W - 7,5 W - 3 W

DQOR8T (B/W) : système de haut-parleurs bidirectionnels avec boomer 8" et tweeter 1" en titane à refroidissement FerroFluid™
120 W à 16 Ω ; réglages transformateur 120 W - 70 W - 30 W - 15 W - 7,5 W - 3 W

CONTENU DE L'EMBALLAGE

- DQOR3T (B/W) et DQOR5T (B/W) : 1 paire de haut-parleurs / DQOR8T (B/W) : 1 haut-parleur
- Clé Allen pour la vis de sécurité du support mural
- Manuel d'utilisation

CARACTÉRISTIQUES : MODÈLES À BASSE IMPÉDANCE

- Nouveau modèle dynamique de haut-parleurs LD Systems
- Système de haut-parleurs bidirectionnels
- Support mural avec mécanisme de verrouillage et connexions au haut-parleur intégrés
- Adapté à une utilisation en intérieur et en extérieur
- Grille en aluminium pour une meilleure protection contre la rouille
- Orientation verticale et horizontale selon un angle d'inclinaison de 27° et un angle de rotation de 45°
- Guide d'ondes BEM optimisé pour une directivité constante
- Angle de dispersion horizontal de 120° et vertical de 80°
- Disponible en noir (RAL 9005 = nom de l'article se terminant par B) et en blanc (RAL 9010 = nom de l'article se terminant par W)
- Type de protection
 - IP65 = DQOR3 (B/W)
 - IP55 = DQOR5 (B/W) et DQOR8 (B/W)

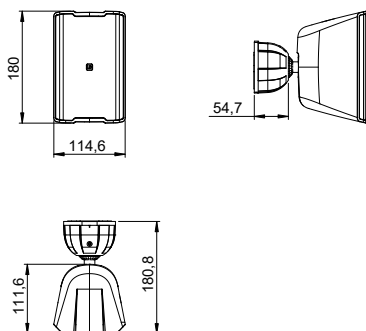
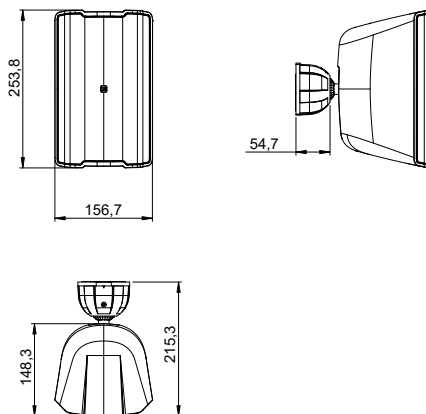
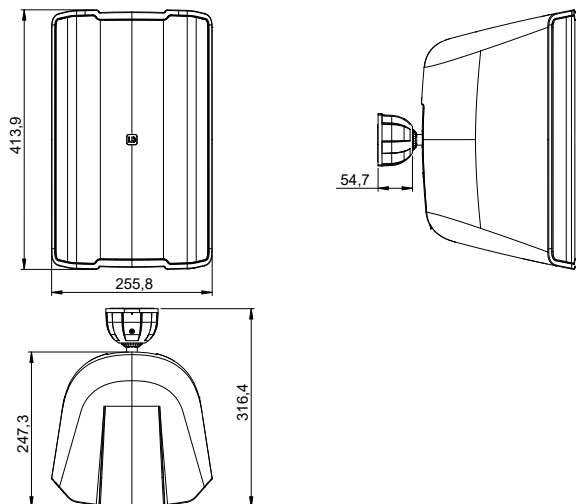
DQOR3 (B/W) : système de haut-parleurs bidirectionnels avec boomer 3" et tweeter 1" en titane à refroidissement FerroFluid™
Puissance : 30 W / Impédance : 8 Ω

DQOR5 (B/W) : système de haut-parleurs bidirectionnels avec boomer 5,25" et tweeter 1" en titane à refroidissement FerroFluid™
Puissance : 70 W / Impédance : 8 Ω

DQOR8 (B/W) : système de haut-parleurs bidirectionnels avec boomer 8" et tweeter 1" en titane à refroidissement FerroFluid™
Puissance : 120 W / Impédance : 8 Ω

CONTENU DE L'EMBALLAGE

- DQOR3 (B/W) et DQOR5 (B/W) : 1 paire de haut-parleurs / DQOR8 (B/W) : 1 haut-parleur
- Clé Allen pour la vis de sécurité du support mural
- Manuel d'utilisation

DIMENSIONS (MM)**DQOR3 / DQOR3T****DQOR5 / DQOR5T****DQOR8 / DQOR8T**

SUPPORT DE MONTAGE MURAL

Les 4 orifices du support de montage permettent de le fixer à un mur. Des vis à tête plate fraisée sont nécessaires pour fixer le support. Leur tête plate permet de les aligner avec le support (les vis ne sont pas incluses avec le produit). Le support de montage mural est doté d'un bornier à 4 pôles, de contacts glissants et de 2 ouvertures pour laisser passer les câbles des haut-parleurs.



1 BORNIER

Bornier à 4 pôles doté de bornes à ressort pour brancher un câble de haut-parleur d'une section de 2,5 mm² maximum et pour envoyer le signal de l'amplificateur vers un autre haut-parleur branché en parallèle. Veuillez vous référer aux marques des contacts pour définir correctement la polarité. Ouvrez les contacts du bornier en faisant glisser un petit tournevis plat dans l'ouverture située au-dessus du contact en question. Insérez ensuite le câble de haut-parleur dénudé dans le contact du bornier et retirez le tournevis de l'ouverture pour refermer le contact.

2 PASSAGE CENTRAL DES CÂBLES

Passage central pour les câbles de haut-parleurs installés dans un mur. Insérez soigneusement les câbles sortant du mur dans le trou de 2 mm du joint en caoutchouc. L'orifice du joint en caoutchouc est flexible et donc est fait pour entourer parfaitement les câbles.

Lors d'un montage en extérieur : si le joint en caoutchouc est abîmé lors du montage, colmatez les fissures et les crevasses avec un produit de scellement en silicone.

3 CONTACTS GLISSANTS

Lorsque le haut-parleur est correctement branché au support de montage mural, le signal du haut-parleur venant de l'amplificateur est transmis au haut-parleur par l'intermédiaire des contacts glissants.

4 PASSAGE INFÉRIEUR DES CÂBLES

Passage inférieur pour les câbles de haut-parleurs installés sur un mur. Afin de permettre le passage inférieur des câbles, le couvercle de fermeture en plastique doit être enlevé avant de fixer le support mural au mur.

Lors d'un montage en extérieur : utilisez un produit de scellement en silicone pour colmater les espaces vides entre les câbles et l'orifice de passage des câbles.



MONTAGE MURAL

Le haut-parleur dispose d'un support mural doté d'un mécanisme de verrouillage pratique. Les haut-parleurs peuvent également être utilisés dans des environnements où les exigences visuelles sont strictes grâce au panneau de connexion intégré qui élimine les câbles visibles. Le mécanisme d'inclinaison selon un angle de 27° et de rotation selon un angle de 45° permet de positionner les enceintes avec précision pour des performances audio optimisées.



Informations de sécurité importantes : le montage en hauteur nécessite de l'expérience. Celui-ci comprend en effet le calcul des limites de la charge de travail, la définition du matériel à utiliser pour l'installation et la réalisation de tests de sécurité du matériel de l'installation et des haut-parleurs. Si vous n'êtes pas qualifié, n'essayez pas de réaliser l'installation vous-mêmes et faites appel à une entreprise professionnelle.

1 Avant d'installer le haut-parleur, retirez le disque de montage mural du support de montage.

Pour cela, desserrez la vis de sécurité **A** située sur la bague de raccord en forme de dôme à l'aide de la clé Allen incluse. Faites tourner la bague de raccord dans le sens inverse des aiguilles d'une montre et tirez le disque de montage mural **B** vers le bas pour le retirer du support de montage.

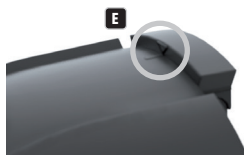
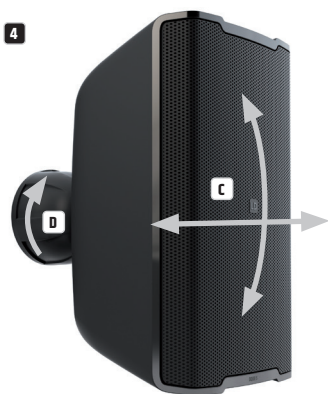




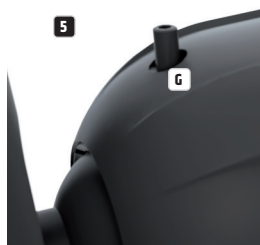
2 Assurez-vous que le bornier est situé en haut du disque de montage mural et fixez celui-ci fermement sur un mur capable de supporter le poids de l'équipement à l'aide des vis appropriées. Pour les câbles de haut-parleur placés sous un enduit, le câble correspondant doit être inséré dans le passage central de câble avant que le disque de montage mural ne soit fixé au mur. Branchez ensuite les câbles de haut-parleur aux contacts du bornier correspondants.

3 Faites coulisser du haut vers le bas le haut-parleur avec le support mural dans le disque de montage mural, de façon à ce que les contacts du haut-parleur coulissent dans les sillons de guidage des contacts glissants du disque de montage mural et que le crochet de soutien s'emboîte dans l'encastrement correspondant.

4 À l'aide de l'articulation à rotule du support mural, tournez le haut-parleur en position verticale ou horizontale (selon un angle de 180° maximum dans chaque direction). Inclinez et faites pivoter le haut-parleur dans la direction de dispersion souhaitée **C**. Fixez ensuite le haut-parleur en vissant fermement la bague de raccord en forme de dôme **D** dans le sens des aiguilles d'une montre dans le filetage, jusqu'à ce que les marques de la bague de raccord en forme de dôme soient en face des marques du crochet de fixation **E** ou des marques du disque de montage mural **F**. De cette façon, vous vous assurez que les vis de sécurité peuvent également être insérées dans l'un des deux trous de la bague de serrage.



5 Empêchez l'articulation à rotule et la bague de raccord en forme de dôme de bouger en resserrant la vis de sécurité située sur la bague de raccord en forme de dôme à l'aide de la clé Allen incluse **G**. Lorsque vous procédez à cette opération, assurez-vous que la vis est entièrement enfouie.



MODÈLES AVEC TRANSFORMATEUR

Le commutateur à 3 positions définissant le mode de fonctionnement et le commutateur rotatif pour les réglages transformateur sont situés sous le support mural dans un compartiment de commande protégé par un capuchon en caoutchouc sur les modèles DQQR3T (B/W), DQQR5T (B/W) et DQQR8T (B/W). **A** Soulevez le capuchon en caoutchouc afin d'accéder aux réglages souhaités et refermez soigneusement le compartiment une fois que vous avez terminé.



1 MODE DE FONCTIONNEMENT 16 Ω/70 V/100 V

Commutateur à 3 positions pour régler les enceintes d'installation avec des amplificateurs d'installation 70 V ou 100 V ou avec des amplificateurs à faible impédance (16 Ω).

Placez le commutateur sur la position souhaitée avant de brancher l'amplificateur.

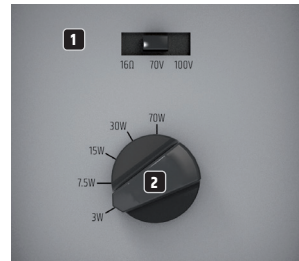
2 RÉGLAGES TRANSFORMATEUR

Régalez le commutateur pour choisir la position correspondant au réglage du transformateur (modèle DQQR5T en exemple).

DQQR3T (B/W) : 30 W - 6 W - 3 W - 1,5 W

DQQR5T (B/W) : 70 W - 30 W - 15 W - 7,5 W - 3 W

DQQR8T (B/W) : 120 W - 70 W - 30 W - 15 W - 7,5 W - 3 W



ACCESSOIRES EN OPTION

Les protections en caoutchouc pour les branchements des haut-parleurs et les disques de montage mural sont disponibles en option (2 ensembles inclus).

Numéro d'article : LDDQRWMC



CARACTÉRISTIQUES TECHNIQUES

Número d'article :	LDDQR3 (B/W)	LDDQR3T (B/W)
Type de produit	Enceintes d'installation	
Type	Passives	
Taille du boomer	3", 76,2 mm	
Aimant du boomer	Ferrite	
Marque du boomer	Sur mesure	
Bobine acoustique du boomer	1", 25,4 mm	
Pavillon	Guide d'ondes BEM optimisé pour directivité constante	
Taille du pilote HF	1", 25,4 mm	
Aimant du pilote HF	Néodyme	
Marque du pilote HF	Sur mesure	
Bobine acoustique du pilote HF	1", 25,4 mm	
Angle de dispersion (h x v)	120° x 80° (-6 dB)	
Puissance (RMS)	30 W	
Puissance (max.)	60 W (>200 Hz)	
Réponse en fréquence	85-20 000 Hz (-10 dB)	
Fréquence de raccordement	2 200 Hz	
SPL (1 W/1 m)	80 dB	
SPL max.	98 dB	
Impédance	8 Ω	16 Ω
Commutateur de sélection d'entrée	-	70 V - 100 V - 16 Ω
Réglages transformateur de puissance 100 V	-	30 W - 6 W - 3 W - 1,5 W
Réglages transformateur de puissance 70 V	-	30 W - 6 W - 3 W - 1,5 W
Connexions d'entrée du haut-parleur	Bornier à 4 pôles ; écartement de 5,08 mm	
Matériau du boîtier	Plastique ABS	
Indice de protection IP	65	
Couleur du boîtier	Blanc (RAL 9010) / noir (RAL 9005)	
Largeur	114,6 mm	
Hauteur	180 mm	
Profondeur	180,8 mm	
Accessoires inclus	Support de fixation Clé Allen pour vis de sécurité	
Accessoires en option	LDDQRWMC (cache en caoutchouc pour support mural)	
Poids	1,4 kg	2,1 kg

Numéro d'article :	LDDQQR5 (B/W)	LDDQQRST (B/W)
Type de produit	Enceintes d'installation	
Type	Passives	
Taille du boomer	5,25", 133 mm	
Aimant du boomer	Ferrite	
Marque du boomer	Sur mesure	
Bobine acoustique du boomer	1", 25,4 mm	
Pavillon	Guide d'ondes BEM optimisé pour directivité constante	
Taille du pilote HF	1", 25,4 mm	
Aimant du pilote HF	Néodyme	
Marque du pilote HF	Sur mesure	
Bobine acoustique du pilote HF	1", 25,4 mm	
Angle de dispersion (h x v)	120° x 80° (-6 dB)	
Puissance (RMS)	70 W	
Puissance (max.)	140 W (>200 Hz)	
Réponse en fréquence	74-20 000 Hz (-10 dB)	
Fréquence de raccordement	1 900 Hz	
SPL (1 W/1 m)	84 dB	
SPL max.	105 dB	
Impédance	8 Ω	16 Ω
Commutateur de sélection d'entrée	-	70 V - 100 V - 16 Ω
Réglages transformateur de puissance 100 V	-	70 W - 30 W - 15 W - 7,5 W - 3 W
Réglages transformateur de puissance 70 V	-	70 W - 30 W - 15 W - 7,5 W - 3 W
Connexions d'entrée du haut-parleur	Bornier à 4 pôles ; écartement de 5,08 mm	
Matériau du boîtier	Plastique ABS	
Indice de protection IP	55	
Couleur du boîtier	Blanc (RAL 9010) / noir (RAL 9005)	
Largeur	156,7 mm	
Hauteur	253,8 mm	
Profondeur	215,3 mm	
Accessoires inclus	Support de fixation Clé Allen pour vis de sécurité	
Accessoires en option	LDDQQRWMC (cache en caoutchouc pour support mural)	
Poids	2,7 kg	3,9 kg

Numéro d'article :	LDDQR8 (B/W)	LDDQR8T (B/W)
Type de produit	Enceintes d'installation	
Type	Passives	
Taille du boomer	8", 200 mm	
Aimant du boomer	Ferrite	
Marque du boomer	Sur mesure	
Bobine acoustique du boomer	2", 50,8 mm	
Pavillon	Guide d'ondes BEM optimisé pour directivité constante	
Taille du pilote HF	1", 25,4 mm	
Aimant du pilote HF	Néodyme	
Marque du pilote HF	Sur mesure	
Bobine acoustique du pilote HF	1", 25,4 mm	
Angle de dispersion (h x v)	120° x 80° (-6 dB)	
Puissance (RMS)	120 W	
Puissance (max.)	240 W (>200 Hz)	
Réponse en fréquence	62-20 000 Hz (-10 dB)	
Fréquence de raccordement	1 800 Hz	
SPL (1 W/1 m)	88 dB	
SPL max.	109 dB	
Impédance	8 Ω	16 Ω
Commutateur de sélection d'entrée	-	70 V - 100 V - 16 Ω
Réglages transformateur de puissance 100 V	-	120 W - 70 W - 30 W - 15 W - 7,5 W - 3 W
Réglages transformateur de puissance 70 V	-	120 W - 70 W - 30 W - 15 W - 7,5 W - 3 W
Connexions d'entrée du haut-parleur	Bornier à 4 pôles ; écartement de 5,08 mm	
Matériau du boîtier	Plastique ABS	
Indice de protection IP	55	
Couleur du boîtier	Blanc (RAL 9010) / noir (RAL 9005)	
Largeur	255,8 mm	
Hauteur	413,9 mm	
Profondeur	316,4 mm	
Accessoires inclus	Support de fixation Clé Allen pour vis de sécurité	
Accessoires en option	LDDQRWMC (cache en caoutchouc pour support mural)	
Poids	5,2 kg	7,2 kg

DÉCLARATIONS DU FABRICANT

GARANTIE FABRICANT & LIMITATION DE RESPONSABILITÉ

Nos conditions actuelles de garantie et de limitation de responsabilité sont disponibles à l'adresse suivante: https://cdn-shop.adamhall.com/media/pdf/MANUFACTURERS-DECLARATIONS_LD_SYSTEMS.pdf. Pour les réparations, veuillez contacter Adam Hall GmbH, Adam-Hall-Str. 1, 61267 Neu Anspach / E-Mail Info@adamhall.com / +49 (0)6081 / 9419-0.



TRI ET MISE AUX DÉCHETS CORRECTE DE CE PRODUIT

(Valid in the European Union and other European countries with waste separation)

■ (Applicable dans l'Union Européenne et les autres pays européens pratiquant le tri des déchets) La présence de ce symbole sur le produit ou sur la documentation correspondante indique qu'en fin de vie, le produit ne doit pas être jeté avec les déchets normaux, afin d'éviter tout dommage à l'environnement ou aux personnes consécutive à une élimination non contrôlée des déchets. Séparez-le des autres types de déchets et recyclez-le, afin de promouvoir la réutilisation durable des ressources naturelles. Nous conseillons aux utilisateurs non professionnels de contacter le revendeur chez qui ils ont acheté le produit, ou un représentant gouvernemental local, pour plus de détails sur le lieu de collecte et la façon de recycler cet appareil dans le meilleur respect de l'environnement possible.. Nous invitons les utilisateurs professionnels à contacter leur fournisseur et à vérifier les termes et conditions de leur contrat d'achat. Ce produit ne doit pas être mélangé à d'autres déchets commerciaux lors de la collecte.

CONFORMITÉ CE

La société Adam Hall GmbH déclare par la présente que ce produit est compatible avec les réglementations suivantes (le cas échéant) :

RGTE (1999/5/EG) et RED (2014/53/EU) à partir de juin 2017

Directive basse tension (2014/35/EU)

Directive CEM (2014/30/EU)

RoHS (2011/65/EU)

La Déclaration de Conformité complète est disponible sur le site Web www.adamhall.com.

Pour toute information complémentaire, contactez-nous : info@adamhall.com.

DÉCLARATION DE CONFORMITÉ CE

Adam Hall GmbH déclare par la présente que ce type d'équipement radio est conforme à la directive 2014/53/EU.

Le texte intégral de la déclaration de conformité CE est disponible à l'adresse suivante

Adresse Internet disponible : www.adamhall.com/compliance/

Sous réserve de fautes d'impression et d'erreurs, ainsi que de modifications techniques ou autres !

¡HA ELEGIDO BIEN!

Hemos diseñado este producto para que funcione de manera fiable durante muchos años. LD Systems vela por esto con su nombre y sus muchos años de experiencia como fabricante de productos de audio de alta calidad. Le rogamos que lea atentamente este manual de usuario para que en poco tiempo pueda empezar a usar su producto de LD Systems de manera óptima. Encontrará más información sobre **LD-SYSTEMS** en nuestro sitio web: WWW.LD-SYSTEMS.COM.

INFORMACIÓN DE SEGURIDAD

1. Lea estas instrucciones atentamente.
2. Guarde toda la información e instrucciones en un lugar seguro.
3. Siga las instrucciones.
4. Respete todas las advertencias de seguridad. Nunca retire las advertencias de seguridad ni ninguna otra información del equipo.
5. Utilice el equipo únicamente de la manera adecuada y para el uso previsto.
6. Utilice únicamente soportes y/o fijaciones con la estabilidad suficiente y compatibles (en caso de instalaciones fijas). Asegúrese de que las fijaciones de pared están bien instaladas y sujetas. Compruebe que el equipo está instalado de manera segura y no puede caerse.
7. Durante la instalación, tenga en cuenta las normas de seguridad aplicables en su país.
8. Nunca instale ni utilice el equipo cerca de radiadores, calefactores, hornos u otras fuentes de calor. Asegúrese de que el equipo está siempre instalado de modo que cuente con una refrigeración suficiente y no pueda sobrecalentarse.
9. No coloque nunca fuentes de ignición (por ejemplo, velas encendidas) sobre el equipo.
10. Las ranuras de ventilación no deben bloquearse.
11. Mantenga una distancia mínima de 20 cm alrededor y sobre el dispositivo.
12. No use este equipo muy cerca del agua (no aplicable si se trata de un equipo especial para exteriores, en cuyo caso, deben tenerse en cuenta las instrucciones indicadas a continuación). No exponga este equipo a gases, líquidos o materiales inflamables. Evite la luz directa del sol.
13. Asegúrese de que en el equipo no puedan entrar gotas ni salpicaduras de agua. No coloque recipientes llenos de líquidos, como jarrones o vasos, sobre el equipo.
14. Asegúrese de que no puedan caer objetos en el dispositivo.
15. Use este equipo solo con los accesorios recomendados y previstos por el fabricante.
16. No abra ni modifique el equipo.
17. Después de conectar el equipo, compruebe todos los cables para evitar daños o accidentes, como peligros de tropiezos.
18. Durante el transporte, asegúrese de que el equipo no pueda caerse y causar daños materiales o personales.
19. Si su equipo ya no funciona de forma correcta, si han entrado líquidos u objetos en el equipo o si este ha resultado dañado de otra manera, apáguelo inmediatamente y desenchúfelo de la toma de corriente (si se trata de un dispositivo con alimentación). Este equipo solo puede repararlo personal cualificado autorizado.
20. Limpie el equipo con un paño seco.
21. Cumpla todas las leyes de eliminación de residuos aplicables en su país. Durante la eliminación de embalajes, separe el plástico y el papel/cartón.
22. Las bolsas de plástico deben mantenerse fuera del alcance de los niños.
23. Tenga en cuenta que los cambios o modificaciones que no cuenten con la aprobación expresa de la parte responsable del cumplimiento podrían invalidar la autoridad del usuario para utilizar el equipo.

EN CUANTO AL EQUIPO QUE SE CONECTA A LA RED ELÉCTRICA

24. **PRECAUCIÓN:** Si el cable de alimentación del dispositivo está equipado con un contacto de conexión a tierra, este debe conectarse a una toma con puesta a tierra de protección. No desactive nunca la puesta a tierra de protección de un cable de alimentación.
25. Si el equipo ha estado expuesto a cambios bruscos de temperatura (por ejemplo, después del transporte), no lo encienda de inmediato. La humedad y la condensación podrían provocar daños en el equipo. No encienda el equipo hasta que haya alcanzado la temperatura ambiente.
26. Antes de conectar el equipo a la toma de corriente, verifique primero que la frecuencia y tensión de red coincidan con los valores especificados en el equipo. Si el equipo cuenta con un interruptor de selección de tensión, conecte el equipo a la toma de corriente solo si los valores del equipo y los valores de la red eléctrica coinciden. Si el cable de alimentación o el adaptador de red incluidos no sirven para su toma de pared, póngase en contacto con un electricista.
27. No pise el cable de alimentación. Asegúrese de que el cable de alimentación no se retuerza, en particular, en la toma de corriente y/o adaptador de red y el conector enchufable del equipo.
28. Al conectar el equipo, asegúrese de que siempre sea posible acceder libremente al cable de alimentación o al adaptador de red. Desconecte siempre el equipo de la fuente de alimentación cuando no se encuentre en uso o si desea limpiarlo. Desenchufe siempre el cable de alimentación y el adaptador de red de la toma de corriente desde el enchufe o el adaptador, nunca tirando del cable. No toque nunca el cable de alimentación ni el adaptador de red con las manos mojadas.
29. Siempre que sea posible, evite encender y apagar el equipo rápidamente porque, de lo contrario, se reducirá la vida útil del equipo.
30. **INFORMACIÓN IMPORTANTE:** Sustituya los fusibles únicamente por fusibles del mismo tipo y clasificación. Si un fusible se funde repetidamente, póngase en contacto con un centro de asistencia técnica autorizado.
31. Para desconectar el equipo de la red eléctrica por completo, desenchufe el cable de alimentación o el adaptador de red de la toma de corriente.
32. Si su dispositivo está equipado con un conector enchufable de alimentación Volex, el conector del equipo Volex correspondiente debe desbloquearse previamente para poder extraerlo. Sin embargo, esto también significa que el equipo puede deslizarse y caerse si se tira del cable de alimentación, lo que puede provocar lesiones personales y/u otros daños. Por ese motivo, tenga siempre cuidado cuando tienda los cables.
33. Desenchufe el cable de alimentación y el adaptador de red de la toma de alimentación si existe riesgo de relámpagos o si va a estar un tiempo prolongado fuera de uso.
34. El aparato no debe ser usado por personas (niños incluidos) con capacidad física, sensorial o mental reducida o sin experiencia ni conocimientos.
35. Se debe prohibir a los niños que jueguen con el dispositivo.
36. No utilice el dispositivo si su cable de alimentación está dañado. El cable de alimentación debe ser sustituido por un cable o conjunto adecuado de un centro de asistencia técnica autorizado.

**PRECAUCIÓN:**

Para reducir el riesgo de descarga eléctrica, no retire la cubierta (o la parte posterior). En el interior no hay piezas que puedan ser reparadas por el usuario. Los trabajos de mantenimiento y reparación únicamente debería realizarlos personal de asistencia técnica cualificado.



El triángulo de advertencia con el símbolo de rayo indica que existe una tensión peligrosa sin aislar dentro de la unidad, lo que puede provocar una descarga eléctrica.



El triángulo de advertencia con un signo de exclamación indica instrucciones de funcionamiento o mantenimiento importantes.



¡Advertencia! Este símbolo indica una superficie caliente. Determinadas partes de la carcasa pueden calentarse durante el funcionamiento. Después del uso, espere un tiempo de enfriamiento de al menos 10 minutos antes de manipular o transportar el dispositivo.



¡Advertencia! Este dispositivo está diseñado para usarse por debajo de 2000 metros de altitud.



¡Advertencia! Este producto no está concebido para usarse en climas tropicales.

¡PRECAUCIÓN! ¡VOLÚMENES ALTOS EN PRODUCTOS DE SONIDO!

Este dispositivo está diseñado para un uso profesional. Por lo tanto, el uso comercial de este equipo está sujeto a las regulaciones y normas de prevención de accidentes nacionales aplicables en cada caso. Como fabricante, Adam Hall está obligado a notificarle formalmente de la existencia de riesgos potenciales para la salud.

Daños auditivos por volúmenes altos y exposición prolongada: Este producto, mientras está en uso, puede producir elevados niveles de presión sonora (SPL) que pueden causar daños auditivos permanentes en intérpretes, empleados o personas presentes. Por este motivo, evite la exposición prolongada a volúmenes que superen los 90 dB.

INTRODUCCIÓN

LD Systems presenta una nueva serie de altavoces de instalación para interiores y exteriores. Los sistemas de dos vías en el nuevo diseño dinámico de LD Systems están disponibles como una versión de baja impedancia (8 Ohmios) y como versión de alta impedancia con un conmutador para diferentes tomas de transformador en aplicaciones de 70 V o 100 V. Los altavoces están disponibles en tamaños de 3", 5,25" y 8". Para una integración flexible con diferentes sistemas de sonido de interior y exterior, los altavoces tienen un soporte de pared incorporado y un práctico mecanismo de deslizamiento y bloqueo. Gracias al panel de conexión integrado, los altavoces también pueden usarse en entornos visualmente exigentes sin rutas de cables visibles. Además, la inclinación de 27° y el mecanismo de rotación de 45° permiten darle la posición exacta para un alcance de sonido preciso. Los nuevos altavoces de exteriores están disponibles en blanco y negro.

CARACTERÍSTICAS: MODELOS CON TRANSFORMADOR

- Nuevo diseño dinámico de altavoces LD Systems
- Sistema de altavoces de dos vías
- Soporte de pared incorporado con mecanismo de bloqueo y conexiones de altavoz
- Conveniente para utilizar en interiores y exteriores
- Rejilla de aluminio para la mejor protección contra la corrosión
- Posible orientación vertical y horizontal con la inclinación de 27° y un ángulo de rotación de 45°
- Guía de ondas optimizada mediante simulación BEM para una directividad constante
- Amplio ángulo de haz horizontal de 120° y ángulo de haz vertical de 80°
- Interruptor de selección de entrada con 3 posiciones (16 Ω, 70 V y 100 V) y conmutador para las tomas de transformador
- Saturación de transformador muy baja
- Disponible en negro (RAL 9005 = número de artículo terminado en B) y blanco (RAL 9010 = número de artículo terminado en W)
- Tipo de protección
 - IP65 = DQQR3T (B/W)
 - IP55 = DQQR5T (B/W) & DQQR8T (B/W)

DQQR3T (B/W) - sistema de altavoces de dos vías con woofer de 3" y tweeter de titanio de 1" con refrigeración FerroFluid™.
30W @ 16 Ohmios, tomas de transformador 30 W - 6 W - 3 W - 1,5 W

DQQR5T (B/W) - sistema de altavoces de dos vías con woofer de 5,25" y tweeter de titanio de 1" con refrigeración FerroFluid™.
70W @ 16 Ohmios, tomas de transformador 70 W - 30 W - 15 W - 7,5 W - 3 W

DQQR8T (B/W) - sistema de altavoces de dos vías con woofer de 8" y tweeter de titanio de 1" con refrigeración FerroFluid™.
120W @ 16 Ohmios, tomas de transformador 120 W - 70 W - 30 W - 15 W - 7,5 W - 3 W

CONTENIDO DEL PAQUETE

- DQQR3T (B/W) y DQQR5T (B/W) - 1 par de altavoces / DQQR8T (B/W) - 1 altavoz
- Llave Allen para atornillar de forma segura el soporte de pared
- Manual de usuario

CARACTERÍSTICAS: MODELOS DE BAJA IMPEDANCIA

- Nuevo diseño dinámico de altavoces LD Systems
- Sistema de altavoces de dos vías
- Soporte de pared incorporado con mecanismo de bloqueo y conexiones de altavoz
- Conveniente para utilizar en interiores y exteriores
- Rejilla de aluminio para la mejor protección contra la corrosión
- Posible orientación vertical y horizontal con inclinación de 27° y un ángulo de rotación de 45°
- Guía de ondas optimizada mediante simulación BEM para una directividad constante
- Ángulo de haz horizontal y ancho de 120° y ángulo de haz vertical de 80°
- Disponible en negro (RAL 9005 = número de artículo terminado en B) y blanco (RAL 9010 = número de artículo terminado en W)
- Tipo de protección
 - IP65 = DQQR3 (B/W)
 - IP55 = DQQR5 (B/W) y DQQR8 (B/W)

DQQR3 (B/W) - sistema de altavoces de dos vías con woofer de 3" y tweeter de titanio de 1" con refrigeración FerroFluid™.
Potencia nominal de 30 W, impedancia de 8 Ohmios

DQQR5 (B/W) - sistema de altavoces de dos vías con woofer de 5,25" y tweeter de titanio de 1" con refrigeración FerroFluid™.
Potencia nominal de 70 W, impedancia de 8 Ohmios

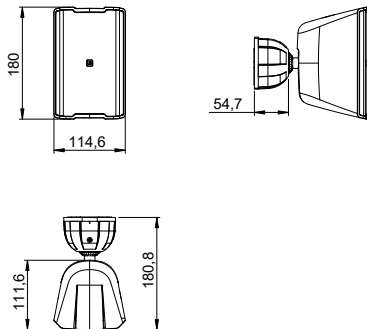
DQQR8 (B/W) - sistema de altavoces de dos vías con woofer de 8" y tweeter de titanio de 1" con refrigeración FerroFluid™.
Potencia nominal de 120 W, impedancia de 8 Ohmios

CONTENIDO DEL PAQUETE

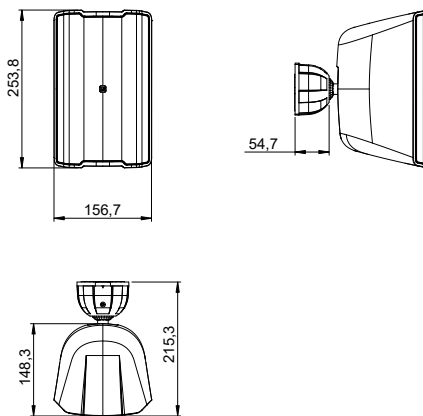
- DQOR3 (B/W) y DQOR5 (B/W) - 1 par de altavoces / DQOR8 (B/W) - 1 altavoz
- Llave Allen para atornillar de forma segura el soporte de pared
- Manual de usuario

MEDIDAS (MM)

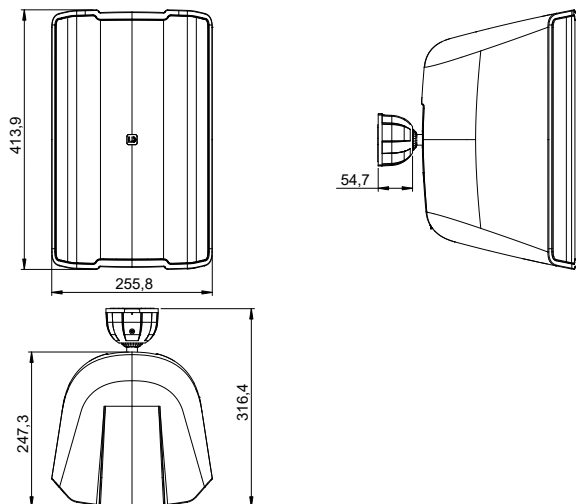
DQOR3 / DQOR3T



DQOR5 / DQOR5T



DQOR8 / DQOR8T



PLACA DE MONTAJE EN PARED

En la placa de montaje en pared redonda hay cuatro agujeros para fijarla a la pared. Tenga en cuenta que se necesitan tornillos avellanados para fijar la placa y asegurarse de que las cabezas planas de estos quedan alineadas con la placa (los tornillos no van incluidos en el contenido del paquete). La placa de montaje en pared está equipada con un bloque de terminal de 4 polos, contactos de deslizamiento y dos aberturas para cables de altavoz.



1 BLOQUE DE TERMINALES

Bloque de terminales de 4 polos con fijación de muelle para conectar un cable de altavoz de hasta 2,5 mm² de sección y para enviar la señal del amplificador a otro altavoz conectado en paralelo. Tenga en cuenta las marcas situadas directamente sobre los contactos para observar la polaridad adecuada. Abra los contactos del bloque de terminales deslizando un destornillador pequeño de cabeza plana en la pequeña abertura de encima del contacto correspondiente. Ahora inserte el cable del altavoz pelado en el contacto del terminal y extraiga el destornillador de la abertura una vez más para cerrar el contacto del terminal.

2 PASACABLES CENTRAL

Pasacables central para cables de altavoz montados en la pared. Estire con cuidado el cable de la pared por el agujero de 2 mm presente en el cierre de goma. El agujero del cierre de goma se estira como resultado y así rodea el cable.

Al montarlo en exteriores: Si el cierre de goma se rompe al montarlo, selle las rasgaduras o puntos abiertos en el cierre de goma utilizando sellador de silicona.

3 CONTACTOS DESLIZANTES

Cuando el altavoz está conectado correctamente a la placa de pared, la señal de altavoz que proviene del amplificador se transmite al altavoz a través de los contactos deslizantes.

4 PASACABLES INFERIOR

Pasacables inferior para cables de altavoz montados en la pared. Para abrir el pasacables, hay que extraer el tapón de sellado de plástico antes de fijar la placa a una pared.

Al montarlo en exteriores: Después de la instalación, utilice el sellador de silicona para sellar los puntos abiertos entre el cable y el pasacables.



MONTAJE EN PARED

El altavoz tiene un soporte de pared con mecanismo de bloqueo práctico. Gracias al panel de conexión integrado, el altavoz también pueden usarse en entornos visualmente exigentes sin rutas de cables visibles. La inclinación de 27° y el mecanismo de rotación de 45° permiten darle la posición exacta para un alcance de sonido preciso.



Información de seguridad importante: El montaje elevado requiere experiencia, incluyendo el cálculo de los límites de carga, el material de instalación utilizado y las pruebas de seguridad habituales de todos los materiales de instalación y los altavoces. Si no está cualificado no intente llevar a cabo la instalación usted mismo. ¡Pida ayuda a una compañía profesional!

1 Antes de instalar el altavoz, quite la placa de montaje en pared del soporte de pared.

Para hacerlo, afloje el tornillo de seguridad **A** en la tuerca de unión con forma abovedada utilizando la llave Allen incluida, gire la tuerca de unión en el sentido contrario a las agujas del reloj en el soporte de pared y estire la placa empotrada **B** hacia abajo del soporte.

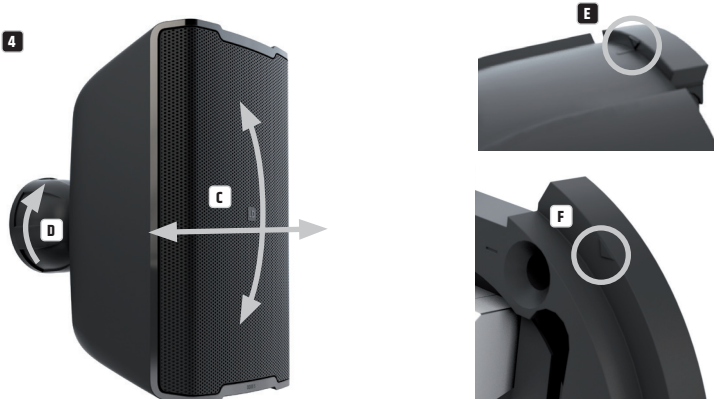




2 Fije con firmeza la placa de montaje en pared con el bloque de terminales en la parte superior utilizando tornillos apropiados en una pared lo suficientemente capaz de soportar la carga. Para cables de altavoz integrados dentro de la pared, hay que insertar el cable correspondiente a través del pasacable central antes de fijar la placa empotrada. Ahora conecte los cables del altavoz a los contactos correspondientes del bloque de terminales.

3 Deslice el altavoz con el soporte de pared desde arriba hacia la placa de montaje en pared de manera que los contactos del altavoz se deslicen dentro de las ranuras guía de los contactos deslizantes de la placa de montaje en pared y el gancho de retención se enganche al hueco correspondiente.

4 Con la rótula del soporte de pared, el altavoz se puede girar a la posición vertical u horizontal (girando en ambas direcciones un máximo de 180°). Luego incline y gire el altavoz hacia la dirección de haz deseada **C**. Ahora prepare el altavoz atornillando la tuerca de unión abovedada **D** firmemente en el sentido de las agujas del reloj a la rosca asociada hasta que la marca de la tuerca de unión coincida con la marca del gancho de retención **E** o la marca de la placa empotrada **F** para garantizar que el tornillo de seguridad también pueda encajar en uno de los dos orificios de paso de la boquilla.



5 Fije la rótula y la tuerca de unión abovedada para que no se muevan apretando el tornillo de seguridad en la tuerca de unión siguiendo el sentido de las agujas del reloj y utilizando la llave Allen que viene incluida **G**. Cuando lo haga, asegúrese de que el tornillo está completamente encastrado.



MODELOS CON TRANSFORMADOR

El interruptor de tres posiciones para el modo de funcionamiento y el interruptor de las tomas de transformador están debajo del soporte de pared en una sección de control tras una cubierta de goma hermética en los modelos DQQR 3T(B/W), DQQR 5T(B/W) y DQQR 8T(B/W) **A**. Levante la cubierta de goma para llevar a cabo los ajustes deseados y luego selle otra vez cuidadosamente el compartimento de control.



1 MODO DE FUNCIONAMIENTO 16 Ω / 70 V / 100 V

Interruptor de 3 posiciones para configurar el altavoz de instalación para amplificadores de 70V o 100V, o amplificadores de baja impedancia (16 Ohmios). Ponga el interruptor en la posición correspondiente antes de conectarlo al amplificador.

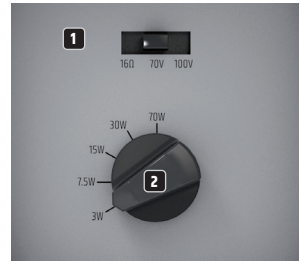
2 TOMAS DE TRANSFORMADOR

Interruptor para seleccionar la toma de transformador deseada (como ejemplo, se muestra el modelo DQQR5TW).

DQQR 3T(B/W): 30 W - 6 W - 3 W - 1,5 W

DQQR 5T(B/W): 70 W - 30 W - 15 W - 7,5 W - 3 W

DQQR 8T(B/W): 120 W - 70 W - 30 W - 15 W - 7,5 W - 3 W



ACCESORIOS OPCIONALES

Las cubiertas de goma para la conexión del altavoz y la placa empotrada están disponibles como accesorio opcional (2 juegos incluidos).

Número de artículo: LDDQQRWMC



DATOS TÉCNICOS

Número de artículo:	LDDQOR3(B/W)	LDDQOR3T(B/W)
Tipo de producto	Altavoz de instalación	
Tipo	Pasivo	
Tamaño del woofer	3", 76,2 mm	
Imán del woofer	Ferrita	
Marca del woofer	Hecho a medida	
Bobina de voz del woofer	1", 25,4 mm	
Bocina	Guía de ondas de directividad constante optimizada mediante BEM	
Tamaño del transductor de alta frecuencia	1", 25,4 mm	
Imán del transductor de alta frecuencia	Neodimio	
Marca del transductor de alta frecuencia	Hecho a medida	
Bobina de voz del transductor de alta frecuencia	1", 25,4 mm	
Ángulo de haz (H x V)	120° x 80° (-6 dB)	
Potencia nominal (RMS)	30 W	
Potencia nominal (pico)	60 W (>200 Hz)	
Respuesta en frecuencia	85 - 20000 Hz (-10 dB)	
Frecuencia de cruce	2200 Hz	
SPL (1 W/1 m)	80 dB	
Máx. SPL	98 dB	
Impedancia	8 Ohmios	16 Ohmios
Interruptor de selección de entrada	-	70 V - 100 V - 16 Ohmios
Tomas de potencia de transformador de 100 V	-	30 - 6 - 3 - 1,5 W
Tomas de potencia de transformador de 70 V	-	30 - 6 - 3 - 1,5 W
Conexiones de entrada del altavoz	Bloque de terminales de 4-polos. Paso 5,08 mm	
Material de la carcasa	Plástico ABS	
Clase de protección IP	65	
Color de la carcasa	Blanco (RAL 9010) / negro (RAL 9005)	
Anchura	114,6 mm	
Altura	180 mm	
Profundidad	180,8 mm	
Accesorios incluidos	Soporte para el montaje en superficie Llave Allen para el tornillo de seguridad	
Accesorios opcionales	LDDQORWMC (conjunto de cubiertas de goma para el soporte de pared)	
Peso	1,4 kg	2,1 kg

ENGLISH

DEUTSCH

FRANÇAIS

ESPAÑOL

POLSKI

ITALIANO

ENGLISH

DEUTSCH

FRANÇAIS

ESPAÑOL

POLSKI

ITALIANO

Número de artículo:	LDDQR5(B/W)	LDDQR5T(B/W)
Tipo de producto	Altavoz de instalación	
Tipo	Pasivo	
Tamaño del woofer	5,25", 133 mm	
Imán del woofer	Ferrita	
Marca del woofer	Hecho a medida	
Bobina de voz del woofer	1", 25,4 mm	
Bocina	Guía de ondas de directividad constante optimizada mediante BEM	
Tamaño del transductor de alta frecuencia	1", 25,4 mm	
Imán del transductor de alta frecuencia	Neodimio	
Marca del transductor de alta frecuencia	Hecho a medida	
Bobina de voz del transductor de alta frecuencia	1", 25,4 mm	
Ángulo de haz (H x V)	120° x 80° (-6 dB)	
Potencia nominal (RMS)	70 W	
Potencia nominal (pico)	140 W (>200 Hz)	
Respuesta en frecuencia	74 - 20000 Hz (-10 dB)	
Frecuencia de cruce	1900 Hz	
SPL (1 W/1 m)	84 dB	
Máx. SPL	105 dB	
Impedancia	8 Ohmios	16 Ohmios
Interruptor de selección de entrada	-	70 V · 100 V · 16 Ohmios
Tomas de potencia de transformador de 100 V	-	70 · 30 · 15 · 7,5 · 3 W
Tomas de potencia de transformador de 70 V	-	70 · 30 · 15 · 7,5 · 3 W
Conexiones de entrada del altavoz	Bloque de terminales de 4-polos. Paso 5,08 mm	
Material de la carcasa	Plástico ABS	
Clase de protección IP	55	
Color de la carcasa	Blanco (RAL 9010) / negro (RAL 9005)	
Anchura	156,7 mm	
Altura	253,8 mm	
Profundidad	215,3 mm	
Accesorios incluidos	Soporte para el montaje en superficie Llave Allen para el tornillo de seguridad	
Accesorios opcionales	LDDQRWMC (conjunto de cubiertas de goma para el soporte de pared)	
Peso	2,7 kg	3,9 kg

Número de artículo:	LDDQOR8(B/W)	LDDQOR8T(B/W)
Tipo de producto	Altavoz de instalación	
Tipo	Pasivo	
Tamaño del woofer	8", 200 mm	
Imán del woofer	Ferrita	
Marca del woofer	Hecho a medida	
Bobina de voz del woofer	2", 50,8 mm	
Bocina	Guía de ondas de directividad constante optimizada mediante BEM	
Tamaño del transductor de alta frecuencia	1", 25,4 mm	
Imán del transductor de alta frecuencia	Neodimio	
Marca del transductor de alta frecuencia	Hecho a medida	
Bobina de voz del transductor de alta frecuencia	1", 25,4 mm	
Ángulo de haz (H x V)	120° x 80° (-6 dB)	
Potencia nominal (RMS)	120 W	
Potencia nominal (pico)	240 W (>200 Hz)	
Respuesta en frecuencia	62 - 20000 Hz (-10 dB)	
Frecuencia de cruce	1800 Hz	
SPL (1 W/1 m)	88 dB	
Máx. SPL	109 dB	
Impedancia	8 Ohmios	16 Ohmios
Interruptor de selección de entrada	-	70 V - 100 V - 16 Ohmios
Tomas de potencia de transformador de 100 V	-	120 - 70 - 30 - 15 - 7,5 - 3 W
Tomas de potencia de transformador de 70 V	-	120 - 70 - 30 - 15 - 7,5 - 3 W
Conexiones de entrada del altavoz	Bloque de terminales de 4-polos. Paso 5,08 mm	
Material de la carcasa	Plástico ABS	
Clase de protección IP	55	
Color de la carcasa	Blanco (RAL 9010) / negro (RAL 9005)	
Anchura	255,8 mm	
Altura	413,9 mm	
Profundidad	316,4 mm	
Accesorios incluidos	Soporte para el montaje en superficie Llave Allen para el tornillo de seguridad	
Accesorios opcionales	LDDQORWMC (conjunto de cubiertas de goma para el soporte de pared)	
Peso	5,2 kg	7,2 kg

DECLARACIONES DEL FABRICANTE

GARANTÍA DEL FABRICANTE Y LIMITACIÓN DE RESPONSABILIDAD

Consulte nuestras condiciones de garantía y limitaciones de responsabilidad en: https://cdn-shop.adamhall.com/media/pdf/MANUFACTURERS-DECLARATIONS_LD_SYSTEMS.pdf. En caso de necesitar servicio técnico, póngase en contacto con Adam Hall GmbH, Adam-Hall-Str. 1, 61267 Neu Anspach (Alemania); correo electrónico Info@adamhall.com; +49 (0)6081 / 9419-0.



ELIMINACIÓN CORRECTA DE ESTE PRODUCTO

(Aplicable en la Unión Europea y en los países europeos que dispongan de un sistema de recogida selectiva) El símbolo que aparece sobre el producto o en la documentación adjunta indica que al final de la vida útil del equipo, no deberá desecharlo con los demás residuos domésticos, con el fin de evitar posibles efectos negativos en el medio ambiente y en la salud humana debidos al vertido incontrolado de desechos. La recogida selectiva ayuda a su posterior reciclaje y fomenta la reutilización sostenible de los componentes de este equipo. Si es un particular, póngase en contacto con el distribuidor donde adquirió este producto, o con el ayuntamiento, para informarse sobre el reciclaje adecuado de este equipo. Si es una empresa, póngase en contacto con su proveedor para informarse sobre los términos y condiciones de su contrato de compra-venta. Este producto no debe mezclarse con otros residuos industriales.

CONFORMIDAD CE

Adam Hall GmbH declara por la presente que este producto es conforme con las siguientes directivas (según sea aplicable):

R&TTE (1999/5/CE) o RED (2014/53/UE) a partir de junio de 2017

Directiva de baja tensión (2014/35/UE)

Directiva EMC (2014/30/UE)

RoHS (2011/65/UE)

Puede consultar la declaración de conformidad completa en www.adamhall.com.

También puede solicitarla a info@adamhall.com.

DECLARACIÓN CE DE CONFORMIDAD

Adam Hall GmbH declara por la presente que este tipo de equipo de radio cumple con la Directiva 2014/53/UE.

El texto completo de la declaración de conformidad de la UE está disponible en la siguiente dirección

Dirección de Internet disponible: www.adamhall.com/compliance/

¡Los errores de imprenta y los errores, así como los cambios técnicos o de otro tipo están reservados!

GRATULUJEMY DOSKONAŁEGO WYBORU!

Nasz produkt został zaprojektowany z myślą o wieloletnim funkcjonowaniu. Marka LD Systems ręczy za to swoim dobrym imieniem i wieloletnim doświadczeniem jako producent sprzętu audio najwyższej jakości. Zapoznaj się z niniejszą instrukcją obsługi, aby jak najszybciej zacząć korzystać ze swojego sprzętu LD Systems.

Więcej informacji na temat **LD-SYSTEMS** znajdziesz na naszej stronie internetowej WWW.LD-SYSTEMS.COM

INFORMACJE DOTYCZĄCE BEZPIECZEŃSTWA

1. Uważnie przeczytaj instrukcję obsługi.
2. Przechowuj informacje i instrukcje w bezpiecznym miejscu.
3. Postępuj zgodnie z instrukcją.
4. Przestrzegaj wszystkich ostrzeżeń dotyczących bezpieczeństwa. Nigdy nie usuwaj ostrzeżeń dotyczących bezpieczeństwa czy innych informacji umieszczonych na urządzeniu.
5. Używaj sprzętu we właściwy sposób zgodnie z jego przeznaczeniem.
6. Używaj wyłącznie stabilnych i odpowiednio dobranych stojaków i/lub uchwytów (w przypadku instalacji sprzętu na stałe). Upewnij się, że uchwyty ściennie zostały poprawnie zamontowane i zabezpieczone. Upewnij się, że urządzenie zostało zainstalowane w sposób bezpieczny i nie może spaść.
7. W trakcie instalacji stosuj się do krajowych zasad bezpieczeństwa.
8. Nigdy nie ustawiaj sprzętu w pobliżu kaloryferów, grzałek, piekarników lub innych źródeł ciepła. Upewnij się, że urządzenie zostało ustawione w sposób zapewniający możliwość chłodzenia i nie może się przegrzać.
9. Nigdy nie ustawiaj na urządzeniu żadnych źródeł ognia, takich jak płonące świece.
10. Nie zakrywaj otworów wentylacyjnych.
11. Zachowaj 20 cm wolnej przestrzeni wokół urządzenia i nad nim.
12. Nie używaj sprzętu w bezpośredniej bliskości wody. (Ta uwaga nie dotyczy sprzętu do używania na zewnątrz – w tym przypadku zapoznaj się ze specjalną instrukcją zamieszczoną poniżej). Nie wystawiaj sprzętu na działanie łatwopalnych materiałów, cieczy lub gazów. Unikaj bezpośredniego oddziaływania promieni słonecznych.
13. Upewnij się, że do sprzętu nie może przedostać się kapiąca lub rozpryskana woda. Nie stawiaj na urządzeniu pojemników z płynami, takich jak wazon czy szklanki.
14. Upewnij się, że na urządzenie nie spadnie żaden przedmiot.
15. Używaj sprzętu wyłącznie z akcesoriami przewidzianymi i zalecanymi przez producenta.
16. Nie otwieraj ani nie modyfikuj urządzenia.
17. Po podłączeniu sprzętu sprawdź, czy kable są uporządkowane tak, aby uniknąć szkód lub wypadków spowodowanych np. potknięciem.
18. Podczas przenoszenia sprzętu upewnij się, że urządzenie nie może upaść powodując straty materialne lub obrażenia osób.
19. Jeśli urządzenie nie działa poprawnie, dostał się do niego jakiś płyn lub przedmiot czy też zostało uszkodzone w inny sposób, natychmiast je zatrzymaj i wyjmij wtyczkę z gniazdka sieciowego (jeśli jest to urządzenie zasilane). Naprawy może się podjąć jedynie osoba uprawniona i wykwalifikowana.
20. Urządzenie należy czyścić suchą ściereczką.
21. Przestrzegaj krajowych przepisów dotyczących gospodarowania odpadami. Przed wyrzuceniem opakowania po urządzeniu posegreguj jego elementy na plastik i papier/karton.
22. Plastikowe torby należy przechowywać poza zasięgiem dzieci.
23. Należy pamiętać, że zmiany lub modyfikacje wprowadzone w urządzeniu bez wyraźnej zgody podmiotu odpowiedzialnego za zgodność, mogą spowodować utratę przez użytkownika prawa do eksploatacji urządzenia.

DOTYCZY URZĄDZEŃ Z ZASILANIEM SIECIOWYM

24. **UWAGA!** Jeśli kabel zasilający urządzenia ma wtyczkę z uziemieniem, należy ją podłączyć do gniazdka z bolcem uziemiającym. Nie usuwaj uziemienia z kabla.
25. Jeśli urządzenie było narażone na znaczne zmiany temperatury (np. w transporcie), nie włączaj go od razu. Wilgoć lub skroplona para mogą spowodować uszkodzenia. Zanim włączysz urządzenie poczekaj, aż osiągnie temperaturę pokojową.
26. Przed podłączeniem urządzenia do gniazda elektrycznego sprawdź, czy napięcie i częstotliwość sieciowe odpowiadają danym technicznym urządzeniu. Jeśli urządzenie jest wyposażone w przełącznik wyboru napięcia, podłącz je do gniazda zasilania tylko wtedy, gdy wartości parametrów urządzenia i zasilania sieciowego są zgodne. Jeśli kabel zasilający lub adapter nie pasują do gniazda, skontaktuj się z elektrykiem.
27. Nie deptaj kabla zasilającego. Upewnij się, że kabel nie został załamany, zwłaszcza przy złączu między zasilaniem sieciowym czy adapterem, a urządzeniem.
28. Przy podłączaniu urządzenia trzeba zadbać o to, aby kabel zasilający lub adapter były łatwo dostępne. Jeśli nie korzystasz z urządzenia lub gdy chcesz je wyjąć, odłącz je od zasilania. Przy wyjmowaniu kabla i adaptera z gniazdka elektrycznego, złap i pociągnij za wtyczkę, a nie za kabel. Nie dotykaj kabla ani adaptera mokrymi rękami.
29. W miarę możliwości unikaj szybkiego włączania i wyłączania urządzenia, ponieważ może to skrócić żywotność urządzenia.
30. **WAŻNE INFORMACJE:** W razie konieczności wymiany bezpieczników, użyj bezpieczników tego samego typu o identycznej wartości znamionowej. Jeśli wyłączenie bezpiecznika się powtarza, skontaktuj się z autoryzowanym centrum serwisowym.
31. Aby całkowicie odłączyć urządzenie od zasilania sieciowego, wyciągnij kabel zasilający lub adapter z gniazdka elektrycznego.
32. Jeśli urządzenie jest wyposażone w kabel zasilający Volex, to przed jego wyjęciem należy odblokować odpowiednie złącze urządzenia Volex. Oznacza to, że podczas wyciągania kabla urządzenie może się zesiliżyć i upaść, powodując obrażenia i/lub inne szkody. Dlatego przy podłączaniu kabli należy zachować ostrożność.
33. Jeśli istnieje ryzyko uderzenia pioruna lub w razie planowanej długiej przerwy w użytkowaniu urządzenia, należy odłączyć kabel zasilający i adapter od gniazda elektrycznego.
34. Z urządzenia nie powinny korzystać osoby (w tym dzieci) o ograniczonej sprawności fizycznej, sensorycznej lub umysłowej ani osoby bez doświadczenia i wiedzy.
35. Dzieci nie mogą się bawić urządzeniem.
36. Jeśli kabel zasilający uległ uszkodzeniu, nie korzystaj z urządzenia. Uszkodzony kabel zasilający należy zastąpić nowym dopasowanym kablem lub instalacją pochodzącą z autoryzowanego centrum serwisowego.

**UWAGA:**

Aby zmniejszyć ryzyko porażenia prądem, nie zdejmuj pokrywy ani tylnej obudowy urządzenia. W środku urządzenia nie ma żadnych elementów przydatnych dla użytkownika. Konserwacja urządzenia oraz naprawy powinny być przeprowadzane przez wykwalifikowany personel serwisujący.



Znak ostrzegawczy w postaci trójkąta z błyskawicą oznacza nieizolowane napięcie elektryczne znajdujące się w danej części. Dotyknięcie tych części może doprowadzić do porażenia prądem.



Znak ostrzegawczy w postaci trójkąta z wykrzyknikiem oznacza ważne instrukcje dotyczące użytkowania lub konserwacji.



Uwaga! Ten symbol oznacza gorącą powierzchnię. Niektóre części obudowy mogą się nagrzewać w trakcie użytkowania. Po zakończeniu użytkowania, odczekaj 10 min zanim dotkniesz urządzenia lub zaczniesz je przenosić.



Uwaga! Urządzenie jest przeznaczone do użytkowania poniżej 2000 m n.p.m.



Uwaga! Produkt nie nadaje się do użytku w klimacie tropikalnym.

UWAGA! WYSOKIE NATĘŻENIE DŹWIĘKU W URZĄDZENIACH AUDIO!

Urządzenie zostało zaprojektowane do użytku profesjonalnego. W związku z tym komercyjne wykorzystanie urządzenia podlega odpowiednim krajowym przepisom i regulacjom dotyczącym zapobiegania wypadkom. Firma Adam Hall jako producent jest zobowiązana do poinformowania o istniejącym potencjalnym zagrożeniu dla zdrowia.

Niebezpieczeństwo uszkodzenia słuchu z powodu długotrwałego wystawienia na wysokie natężenie dźwięku: Urządzenie w trakcie działania może wytwarzać wysokie ciśnienie akustyczne (SPL), które może powodować nieodwracalne uszkodzenia słuchu u artystów, pracowników lub słuchaczy. Dlatego też należy unikać przedłużonej ekspozycji na dźwięki przekraczające 90 dB.

WSTĘP

LD Systems przedstawia nowe serie głośników instalacyjnych do użytku wewnątrz i na zewnątrz. Dwukierunkowy system w nowej dynamicznej odsłonie LD Systems jest dostępny w wersji o niskiej impedancji (8 Ohm) oraz w wersji o wysokiej impedancji z przełącznikiem do różnych odczepów transformatorów do napięcia 70 V lub 100 V. Głośniki są dostępne w następujących rozmiarach: 3", 5,25" lub 8". Głośniki zostały wyposażone w uchwyt ścienny i praktyczny mechanizm przesuwania i blokowania, aby mogły być z łatwością dopasowane do różnych systemów nagłośnieniowych do użytku wewnątrz i na zewnątrz. Dzięki wbudowanemu panelowi przyłączeniowemu głośniki można z łatwością zamontować w różnych miejscach, a jednocześnie uniknąć widocznie doprowadzonego okablowania. Dodatkowo możliwość pochylecia głośników o 27° oraz ich obrotu o 45° gwarantuje precyzyjną nagłośnienia. Nowe głośniki do użytku zewnętrznego są dostępne w kolorze białym i czarnym.

WŁAŚCIWOŚCI – MODELE Z TRANSFORMATOREM

- Nowy dynamiczny design głośników LD Systems
- Dwukierunkowy system nagłośnienia
- Wbudowany uchwyt ścienny z mechanizmem blokującym i podłączeniem do głośników
- Nadaje się do użytku wewnątrz i na zewnątrz
- Aluminiowa kratka osłaniająca lepiej chroniona przed korozją
- Możliwy montaż w pionie i w poziomie z regulacją pochylecia o 27° oraz możliwością obrotu o 45°
- Falowód zoptymalizowany pod kątem BEM dla zachowania kierunkowości
- Szeroki kąt rozchodzenia się dźwięku w poziomie (kąt 120°) oraz w pionie (kąt 80°)
- 3-pozycyjne wejście z przełącznikiem (16 Ω / 70 V / 100 V) oraz przełącznik do odczepów transformatora
- Bardzo niska saturacja transformatora
- Dostępny w kolorze czarnym (RAL 9005 = numer produktu kończący się literą B) oraz białym (RAL 9010 = numer produktu kończący się literą W)
- Rodzaj zabezpieczenia
 - IP65 = DQOR3T (B/W)
 - IP55 = DQORST (B/W) & DQOR8T (B/W)

DQOR3T (B/W) – dwukierunkowy system nagłośnienia z 3-calowym głośnikiem niskotonowym (woofer) i 1-calowym tytanowym głośnikiem wysokotonowym (tweeter) z systemem chłodzenia FerroFluid™.
30 W @ 16 Ohm, odczepy transformatora 30 W – 6 W – 3 W – 1,5 W

DQOR5T (B/W) – dwukierunkowy system nagłośnienia z 5,25-calowym głośnikiem niskotonowym (woofer) i 1-calowym tytanowym głośnikiem wysokotonowym (tweeter) z systemem chłodzenia FerroFluid™.
70 W @ 16 Ohm, odczepy transformatora 70 W – 30 W – 15 W – 7,5 W – 3 W

DQOR8T (B/W) – dwukierunkowy system nagłośnienia z 8-calowym głośnikiem niskotonowym (woofer) i 1-calowym tytanowym głośnikiem wysokotonowym (tweeter) z systemem chłodzenia FerroFluid™.
120 W @ 16 Ohm, odczepy transformatora 120 W – 70 W – 30 W – 15 W – 7,5 W – 3 W

ZAWARTOŚĆ ZESTAWU

- DQOR3T (B/W) oraz DQOR5T (B/W) – 1 para głośników / DQOR8T (B/W) – 1 głośnik
- Klucz imbusowy do śruby zabezpieczającej uchwyt ścienny
- Instrukcja obsługi

WŁAŚCIWOŚCI – MODELE O NISKIEJ IMPEDANCJI

- Nowy dynamiczny design głośników LD Systems
- Dwukierunkowy system nagłośnienia
- Wbudowany uchwyt ścienny z mechanizmem blokującym i podłączeniem do głośników
- Nadaje się do użytku wewnątrz i na zewnątrz
- Aluminiowa kratka osłaniająca lepiej chroniona przed korozją
- Możliwe ustawienie w poziomie lub w pionie oraz pochylecie w zakresie 27° lub obrotu w zakresie 45°
- Falowód zoptymalizowany pod kątem BEM dla zachowania kierunkowości
- Szeroki kąt rozchodzenia się dźwięku w poziomie (kąt 120°) oraz w pionie (kąt 80°)
- Dostępny w kolorze czarnym (RAL 9005 = numer produktu kończący się literą B) oraz białym (RAL 9010 = numer produktu kończący się literą W)
- Rodzaj zabezpieczenia
 - IP65 = DQOR3 (B/W)
 - IP55 = DQOR5 (B/W) & DQOR8 (B/W)

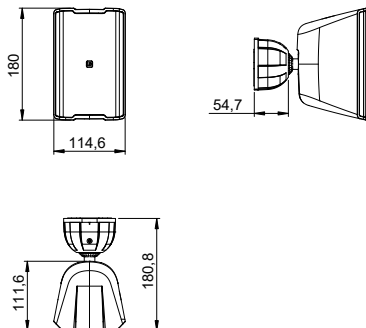
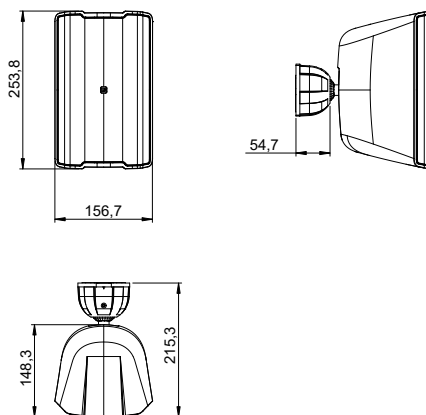
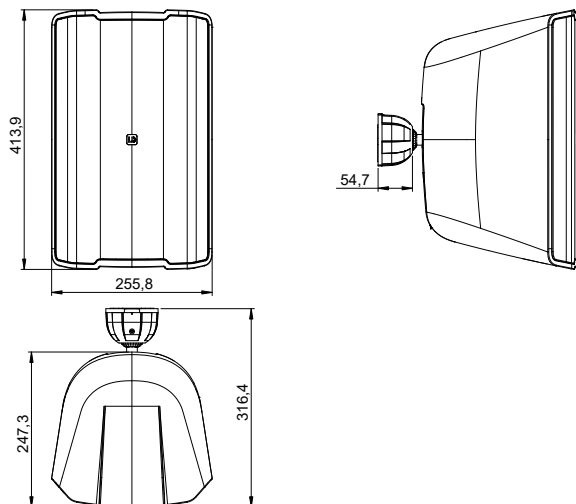
DQOR3 (B/W) – dwukierunkowy system nagłośnienia z 3-calowym głośnikiem niskotonowym (woofer) i 1-calowym tytanowym głośnikiem wysokotonowym (tweeter) z systemem chłodzenia FerroFluid™.
Moc znamionowa 30 W, impedancja 8 Ohm

DQOR5 (B/W) – dwukierunkowy system nagłośnienia z 5,25-calowym głośnikiem niskotonowym (woofer) niskotonowym i 1-calowym tytanowym głośnikiem wysokotonowym (tweeter) z systemem chłodzenia FerroFluid™.
Moc znamionowa 70 W, impedancja 8 Ohm

DQOR8 (B/W) – dwukierunkowy system nagłośnienia z 8-calowym głośnikiem niskotonowym (woofer) i 1-calowym tytanowym głośnikiem wysokotonowym (tweeter) z systemem chłodzenia FerroFluid™.
Moc znamionowa 120 W, impedancja 8 Ohm

ZAWARTOŚĆ ZESTAWU

- DQOR3 (B/W) oraz DQOR5 (B/W) – 1 para głośników / DQOR8 (B/W) – 1 głośnik
- Klucz imbusowy do śruby zabezpieczającej uchwyt ścienny
- Instrukcja obsługi

WYMIARY (MM)**DQOR3 / DQOR3T****DQOR5 / DQOR5T****DQOR8 / DQOR8T**

UCHWYT ŚCIENNY

W okrągłej płytce montażowej znajdują się 4 otwory do mocowania ściennego. Uwaga: płytkę należy przykręcić za pomocą śrub z łbem stożkowym, upewniając się, że ich płaskie główki nie wystają ponad powierzchnię płytki (śruby nie zostały dołączone do zestawu). Płytką do montażu ściennego jest wyposażona w 4-biegunową kostkę zaciskową, styki ślizgowe oraz dwa otwory na kabłe głośnika.



1 KOSTKA ZACISKOWA

4-biegunowa kostka z zaciskami sprężynowymi służy do podłączenia kabla głośnika o maksymalnym przekroju 2,5 mm² w celu przesłania sygnału wzmacniacza do innego głośnika podłączonego równolegle. Zwróć uwagę na oznaczenia znajdujące się nad kontaktami, aby zapewnić prawidłową polaryzację. Otwórz kontakty kostki, wsuwając mały płaski śrubokręt do odpowiedniego otworu nad kontaktem. Następnie włóż niez izolowaną końcówkę kabla głośnika do kontaktu i wyjmij śrubokręt z otworu, aby zamknąć kontakt.

2 ŚRODKOWY PRZEPUST KABLOWY

Środkowy przepust kablowy na kabłe głośnika zamontowanego na ścianie. Ostrożnie przeciągnij kabel wychodzący ze ściany przez 2-milimetrowy otwór nawiercony w gumowym uszczelnieniu. Nawiercony otwór w gumowym uszczelnieniu powinien się rozciągnąć i dokładnie okalać kabel.

Montaż na zewnątrz: Jeśli podczas montażu dojdzie do rozerwania uszczelnienia gumowego, należy uszczelnić rozerwane miejsca za pomocą szczeliwa silikonowego.

3 STYKI ŚLIZGOWE

Jeśli głośnik został poprawnie zamontowany na płytce uchwytu ściennego, sygnał głośnika pochodzący ze wzmacniacza powinien być transmitowany przez styki ślizgowe do głośnika.

4 DOLNY PRZEPUST KABLOWY

Dolny przepust kablowy na kabłe głośnika zamontowanego na ścianie. Aby otworzyć przepust kablowy, przed zamontowaniem uchwytu na ścianie należy zdjąć plastikową zatyczkę.

Montaż na zewnątrz: Uszczelnij otwory między kablem a przepustem kablowym przy użyciu szczeliwa silikonowego.



MONTAŻ NA ŚCIENNY

Głośnik został wyposażony w uchwyt ścienny z praktycznym mechanizmem blokującym. Dzięki wbudowanemu panelowi przyłączeniowemu głośnik można z łatwością zamontować w różnych miejscach, a jednocześnie uniknąć widocznie doprowadzonego okablowania. Możliwość pochylenia głośników o 27° oraz ich obrotu o 45° gwarantuje precyzję nagłośnienia.

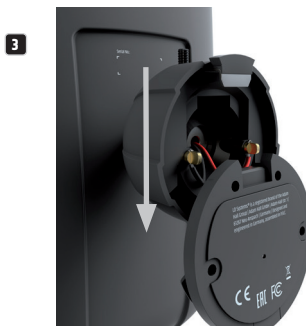


Ważne informacje dotyczące bezpieczeństwa: Montaż na wysokości wymaga doświadczenia, w tym obliczenia limitów obciążenia, analizy użytych materiałów instalacyjnych i regularnych przeglądów bezpieczeństwa wszystkich materiałów instalacyjnych i głośników. Jeśli nie posiadasz odpowiednich kwalifikacji, nie próbuj samodzielnie montować sprzętu. Zleć to zadanie profesjonalnej firmie!

1 Zanim zamontujesz głośnik, zdejmij płytkę do montażu ściennego z uchwytu ściennego.

W tym celu za pomocą klucza imbusowego poluzuj śrubę zabezpieczającą **A** znajdującą się w półkolistej nakrętce, przekręć nakrętkę w kierunku przeciwnym do ruchu wskazówek zegara i zdejmij płytkę do montażu ściennego, **B** pociągając w dół od uchwytu ściennego.

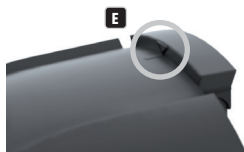
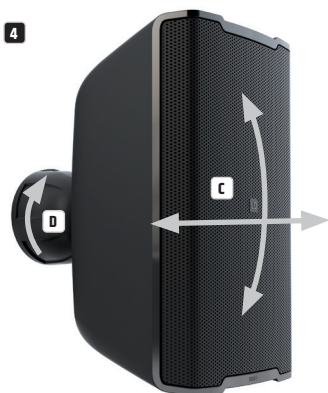




2 Przy pomocy odpowiednich śrub mocno przykręć płytkę z kostką zaciskową do ściany wystarczająco solidnej, aby mogła utrzymać ciężar instalacji. W przypadku podtynkowego okablowania głośnika odpowiedni kabel należy przeciągnąć przez środkowy przepust kablowy przed przymocowaniem płytki do ściany. Następnie podłącz kable głośnika do odpowiednich kontaktów kostki zaciskowej.

3 Wsuń od góry głośnik z uchwytem ściennym na płytkę w taki sposób, aby kontakty głośnika wsunęły się w rowki prowadzące kontaktów ślizgowych na płytce montażowej i aby haczyki wsunęły się w odpowiednie wgłębienia.

4 Dzięki przegubowi kulowemu głośnik można obracać do pozycji pionowej lub poziomej (obrót w obu kierunkach o maksymalnie 180°). Następnie dostosuj pionowe i poziome ustawienie głośnika do żądanej pozycji **C**. W dalszej kolejności zamocuj głośnik, nakręcając mocno półkolistą nakrętkę **D** zgodnie z ruchem wskazówek zegara na gwint, aż oznaczenie na nakrętce będzie zgodne z oznaczeniem na haczyku mocującym **E** lub oznaczeniem na płytce do montażu ściennego **F**, aby upewnić się, że śruba zabezpieczająca może również wejść w jeden z dwóch otworów przelotowych w tulei zaciskowej.



5 Zabezpiecz przegub kulowy i półkolistą nakrętkę, dokręcając mocno dołączonym kluczem imbusowym śrubę zabezpieczającą zgodnie z ruchem wskazówek zegara, aby unieruchomić element **G**. Na koniec upewnij się, że główka śruby nie wystaje powyżej powierzchni płytki.



MODELE Z TRANSFORMATOREM

3-pozycyjny przełącznik trybu pracy oraz przełącznik odczepów transformatora znajdują się poniżej uchwyty ściennego w panelu kontrolnym za gumowym uszczelnieniem w modelach DQOR 3T(B/W), DQOR 5T(B/W) oraz DQOR 8T(B/W) **A**. Podnieś gumową osłonkę, wprowadź wybrane ustawienia i ponownie załóż uszczelnienie.



1 TRYB PRACY 16 Ω / 70 V / 100 V

Przełącznik 3-pozycyjny do regulacji głośnika instalacyjnego dla wzmacniaczy instalacyjnych 70 V lub 100 V lub wzmacniaczy z wyjściem niskoimpedancyjnym (16 Ohm). Ustaw przełącznik w odpowiedniej pozycji przed podłączeniem wzmacniacza.

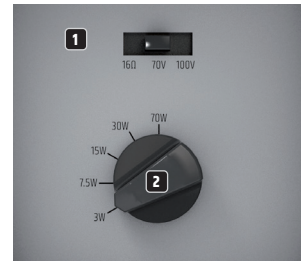
2 ODCZEPY TRANSFORMATORA

Przełącznik odczepów transformatora (przykładowy model DQOR5TW).

DQOR 3T(B/W): 30 W - 6 W - 3 W - 1,5 W

DQOR 5T(B/W): 70 W - 30 W - 15 W - 7,5 W - 3 W

DQOR 8T(B/W): 120 W - 70 W - 30 W - 15 W - 7,5 W - 3 W



AKCESORIA OPCJONALNE

Gumowe osłony do podłączenia głośnika i uchwyt ścienny można dokupić osobno (dwa w zestawie).

Numer produktu: LDDQORWMC



DANE TECHNICZNE

Numer produktu:	LDDQOR3(B/W)	LDDQOR3T(B/W)
Typ produktu	Głośnik instalacyjny	
Typ	Pasywny	
Rozmiar woofera	3", 76,2 mm	
Magnes woofera	Ferryt	
Marka woofera	Wykonany na zamówienie	
Cewka drgająca woofera	1", 25,4 mm	
Głośnik tubowy (horn)	Falowód CD zoptymalizowany pod kątem BEM	
Rozmiar drivera wysokotonowego	1", 25,4 mm	
Magnes drivera wysokotonowego	Neodym	
Marka drivera wysokotonowego	Wykonany na zamówienie	
Cewka drgająca drivera wysokotonowego	1", 25,4 mm	
Kąt rozchodzenia dźwięku (w poziomie × w pionie)	120° × 80° (-6 dB)	
Moc znamionowa (RMS)	30 W	
Moc znamionowa (wartość maksymalna)	60 W (>200 Hz)	
Reakcja na częstotliwość	85 - 20 000 Hz (-10 dB)	
Zwrotnica częstotliwościowa	2200 Hz	
SPL (1 W/1 m)	80 dB	
Maks. SPL	98 dB	
Impedancja	8 Ohm	16 Ohm
Przełącznik wejścia	-	70 V - 100 V - 16 Ohm
100 V, odczepy transformatora	-	30 - 6 - 3 - 1,5 W
70 V, odczepy transformatora	-	30 - 6 - 3 - 1,5 W
Przyłącza zasilania głośnika	4-biegunowa kostka zaciskowa R=5,08 mm	
Materiał obudowy	Plastik ABS	
Stopień ochrony IP	65	
Kolor obudowy	Biały (RAL 9010) / czarny (RAL 9005)	
Szerokość	114,6 mm	
Wysokość	180 mm	
Głębokość	180,8 mm	
Akcesoria w zestawie	Uchwyt do montażu ściennego Klucz imbusowy do śruby zabezpieczającej	
Akcesoria opcjonalne	LDDQORWMC (zestaw gumowych osłonek do uchwytu ściennego)	
Waga	1,4 kg	2,1 kg

Numer produktu:	LDDQQR5(B/W)	LDDQQR5T(B/W)
Typ produktu	Głośnik instalacyjny	
Typ	Pasywny	
Rozmiar woofera	5,25", 133 mm	
Magnes woofera	Ferryt	
Marka woofera	Wykonany na zamówienie	
Cewka drgająca woofera	1", 25,4 mm	
Głośnik tubowy (horn)	Falowód CD zoptymalizowany pod kątem BEM	
Rozmiar drivera wysokotonowego	1", 25,4 mm	
Magnes drivera wysokotonowego	Neodym	
Marka drivera wysokotonowego	Wykonany na zamówienie	
Cewka drgająca drivera wysokotonowego	1", 25,4 mm	
Kąt rozchodzenia dźwięku (w poziomie × w pionie)	120° × 80° (-6 dB)	
Moc znamionowa (RMS)	70 W	
Moc znamionowa (wartość maksymalna)	140 W (>200 Hz)	
Reakcja na częstotliwość	74 - 20 000 Hz (-10 dB)	
Zwrotnica częstotliwościowa	1900 Hz	
SPL (1 W/1 m)	84 dB	
Maks. SPL	105 dB	
Impedancja	8 Ohm	16 Ohm
Przełącznik wejścia	-	70 V - 100 V - 16 Ohm
100 V, odczepy transformatora	-	70 - 30 - 15 - 7,5 - 3 W
70 V, odczepy transformatora	-	70 - 30 - 15 - 7,5 - 3 W
Przyłącza zasilania głośnika	4-biegunowa kostka zaciskowa R=5,08 mm	
Materiał obudowy	Plastik ABS	
Stopień ochrony IP	55	
Kolor obudowy	Biały (RAL 9010) / czarny (RAL 9005)	
Szerokość	156,7 mm	
Wysokość	253,8 mm	
Głębokość	215,3 mm	
Akcesoria w zestawie	Uchwyt do montażu ściennego Klucz imbusowy do śruby zabezpieczającej	
Akcesoria opcjonalne	LDDQQRWMC (zestaw gumowych osłonek do uchwytu ściennego)	
Waga	2,7 kg	3,9 kg

ENGLISH

DEUTSCH

FRANÇAIS

ESPAÑOL

POLSKI

ITALIANO

Numer produktu:	LDDQOR8(B/W)	LDDQOR8T(B/W)
Typ produktu	Głośnik instalacyjny	
Typ	Pasywny	
Rozmiar woofera	8", 200 mm	
Magnes woofera	Ferryt	
Marka woofera	Wykonany na zamówienie	
Cewka drgająca woofera	2", 50,8 mm	
Głośnik tubowy (horn)	Falowód CD zoptymalizowany pod kątem BEM	
Rozmiar drivera wysokotonowego	1", 25,4 mm	
Magnes drivera wysokotonowego	Neodym	
Marka drivera wysokotonowego	Wykonany na zamówienie	
Cewka drgająca drivera wysokotonowego	1", 25,4 mm	
Kąt rozchodzenia dźwięku (w poziomie × w pionie)	120° × 80° (-6 dB)	
Moc znamionowa (RMS)	120 W	
Moc znamionowa (wartość maksymalna)	240 W (>200 Hz)	
Reakcja na częstotliwość	62 - 20 000 Hz (-10 dB)	
Zwrotnica częstotliwościowa	1800 Hz	
SPL (1 W/1 m)	88 dB	
Maks. SPL	109 dB	
Impedancja	8 Ohm	16 Ohm
Przełącznik wejścia	-	70 V - 100 V - 16 Ohm
100 V, odczepy transformatora	-	120 - 70 - 30 - 15 - 7,5 - 3 W
70 V, odczepy transformatora	-	120 - 70 - 30 - 15 - 7,5 - 3 W
Przyłącza zasilania głośnika	4-biegunowa kostka zaciskowa R=5,08 mm	
Materiał obudowy	Plastik ABS	
Stopień ochrony IP	55	
Kolor obudowy	Biały (RAL 9010) / czarny (RAL 9005)	
Szerokość	255,8 mm	
Wysokość	413,9 mm	
Głębokość	316,4 mm	
Akcesoria w zestawie	Uchwyt do montażu ściennego Klucz imbusowy do śruby zabezpieczającej	
Akcesoria opcjonalne	LDDQORWMC (zestaw gumowych osłonek do uchwytu ściennego)	
Waga	5,2 kg	7,2 kg

OŚWIADCZENIA PRODUCENTA

GWARANCJA PRODUCENTA I OGRANICZENIE ODPOWIEDZIALNOŚCI

Nasze aktualne warunki gwarancji i informacje dotyczące ograniczenia odpowiedzialności znajdują Państwo na stronie: https://cdn-shop.adamhall.com/media/pdf/MANUFACTURERS-DECLARATIONS_LD_SYSTEMS.pdf. W razie konieczności skorzystania z serwisu proszę skontaktować się z firmą Adam Hall GmbH, Adam-Hall-Str. 1, 61267 Neu Anspach / e-mail Info@adamhall.com / +49 (0)6081 / 9419-0.



PRAWIDŁOWA UTYLIZACJA NINIEJSZEGO PRODUKTU

(Obowiązuje w Unii Europejskiej i innych krajach europejskich stosujących system sortowania odpadów) Niniejszy symbol na produkcie lub ■■■■ związanych z nim dokumentach wskazuje, iż urządzenie po zakończeniu okresu użytkowania nie może być utylizowane razem ze standardowymi odpadami domowymi, aby uniknąć szkód w środowisku lub szkód na osobie powstałych w wyniku niekontrolowanego usuwania odpadów. Niniejszy produkt należy utylizować oddzielnie od innych odpadów i przekazać do punktu recyklingu w celu ponownego wykorzystania użytych w nim materiałów w ramach idei zrównoważonego rozwoju. Klienci prywatni otrzymują informacje w zakresie przyjaznych dla środowiska możliwości usuwania odpadów od sprzedawcy, u którego produkt został zakupiony, lub w odpowiednich placówkach regionalnych. Użytkownicy będący przedsiębiorcami proszeni są o kontakt ze swoimi dostawcami i ewentualne sprawdzenie uzgodnionych umownie warunków utylizacji urządzeń. Niniejszy produkt nie może być utylizowany razem z innymi odpadami przemysłowymi.

DEKLARACJA ZGODNOŚCI CE

Firma Adam Hall GmbH niniejszym oświadcza, że produkt ten jest zgodny z następującymi dyrektywami (o ile mają zastosowanie): dyrektywa w sprawie urządzeń radiowych i końcowych urządzeń telekomunikacyjnych (1999/5/WE) lub dyrektywa w sprawie urządzeń radiowych (2014/53/UE) od czerwca 2017 r.

dyrektywa niskonapięciowa (2014/35/UE)

dyrektywa w sprawie kompatybilności elektromagnetycznej (2014/30/UE)

dyrektywa w sprawie ograniczenia stosowania niektórych niebezpiecznych substancji w sprzęcie elektrycznym i elektronicznym (2011/65/UE)

Pełna wersja deklaracji zgodności znajduje się na stronie internetowej www.adamhall.com.

Ponadto zapytania w tej sprawie można przysyłać na adres e-mail info@adamhall.com.

DEKLARACJA ZGODNOŚCI WE

Adam Hall GmbH niniejszym oświadcza, że ten typ sprzętu radiowego jest zgodny z dyrektywą 2014/53/UE.

Pełny tekst deklaracji zgodności UE jest dostępny pod następującym adresem

Dostępny adres internetowy: www.adamhall.com/compliance/

Błędy w druku i błędy, jak również zmiany techniczne i inne zmiany są zastrzeżone!

HAI FATTO LA SCELTA GIUSTA!

Abbiamo sviluppato questo prodotto perché funzioni in modo affidabile per molti anni. Questo è l'impegno di LD Systems, con il suo nome e tanti anni di esperienza come produttore di soluzioni audio di alta qualità. Leggi attentamente il Manuale utente per iniziare sin da subito a sfruttare al meglio il tuo prodotto LD Systems.

Puoi trovare maggiori informazioni su **LD-SYSTEMS** sul nostro sito Web: WWW.LD-SYSTEMS.COM

INFORMAZIONI SULLA SICUREZZA

1. Leggere attentamente le presenti istruzioni.
2. Conservare tutte le informazioni e le istruzioni in un luogo sicuro.
3. Seguire le istruzioni.
4. Osservare tutte le avvertenze di sicurezza. Non rimuovere mai le avvertenze di sicurezza o altre informazioni dall'apparecchio.
5. Utilizzare l'apparecchio esclusivamente nel modo e per lo scopo previsti.
6. Utilizzare solo cavalletti e/o supporti sufficientemente stabili e compatibili (per installazioni fisse). Assicurarsi che i supporti a parete siano installati e fissati correttamente. Assicurarsi che l'apparecchio sia installato in modo sicuro, senza rischi di caduta.
7. Durante l'installazione, osservare i regolamenti in materia di sicurezza applicabili per il proprio paese.
8. Non installare né utilizzare mai l'apparecchio vicino a radiatori, termoregolatori, forni o altre fonti di calore. Assicurarsi che l'apparecchio sia sempre installato in modo da raffreddarsi sufficientemente e non surriscaldarsi.
9. Non posizionare mai fonti di accensione, ad esempio candele accese, sull'apparecchio.
10. Le fessure di ventilazione non devono essere ostruite.
11. Tenere una distanza minima di 20 cm attorno e sopra il dispositivo.
12. Non utilizzare questo apparecchio nelle immediate vicinanze dell'acqua (non si applica ad apparecchi specifici per ambienti esterni; in questo caso, osservare le istruzioni specifiche indicate di seguito). Non esporre l'apparecchio a materiali, liquidi o gas infiammabili. Evitare l'esposizione diretta alla luce solare!
13. Assicurarsi che gocce o schizzi d'acqua non entrino nell'apparecchio. Non collocare contenitori con liquidi, come vasi o recipienti per bere, sull'apparecchio.
14. Assicurarsi che non cadano oggetti nell'apparecchio.
15. Utilizzare l'apparecchio esclusivamente con gli accessori raccomandati e previsti dal produttore.
16. Non aprire né apportare modifiche all'apparecchio.
17. Dopo aver collegato l'apparecchio, controllare tutti i cavi per evitare danni o incidenti, ad es. dovuti al rischio di inciampo.
18. Durante il trasporto, assicurarsi che l'apparecchio non cada causando potenziali danni alla proprietà o lesioni personali.
19. Se l'apparecchio non funziona più correttamente, se fluidi o oggetti sono entrati all'interno dell'apparecchio o se è stato danneggiato in altro modo, spegnerlo immediatamente e scollegarlo dalla presa di corrente (se si tratta di un dispositivo alimentato). L'apparecchio può essere riparato esclusivamente da personale qualificato autorizzato.
20. Pulire l'apparecchio con un panno asciutto.
21. Rispettare tutte le leggi in materia di smaltimento applicabili nel proprio paese. Durante lo smaltimento dell'imballaggio, separare la plastica e la carta/il cartone.
22. I sacchetti di plastica devono essere tenuti fuori dalla portata dei bambini.
23. Cambiamenti o modifiche non espressamente approvati dalla parte responsabile della conformità potrebbero invalidare l'autorità dell'utente a utilizzare l'apparecchio.

PER GLI APPARECCHI CHE SI COLLEGANO ALLA RETE ELETTRICA

24. **ATTENZIONE:** se il cavo di alimentazione del dispositivo è dotato di un contatto di messa a terra, deve essere collegato a una presa con messa a terra di protezione. Non disattivare mai la messa a terra di protezione di un cavo di alimentazione.
25. Se l'apparecchio è stato esposto a forti sbalzi di temperatura (ad esempio, dopo il trasporto), non accenderlo immediatamente. L'umidità e la condensa potrebbero danneggiare l'apparecchio. Non accendere il dispositivo finché non ha raggiunto la temperatura ambiente.
26. Prima di collegare l'apparecchio alla presa di corrente, verificare innanzitutto che la tensione e la frequenza della rete elettrica corrispondano ai valori specificati sull'apparecchio. Se l'apparecchio dispone di un interruttore di selezione della tensione, collegare l'apparecchio alla presa di corrente solo se i valori dell'apparecchio e i valori di alimentazione della rete elettrica corrispondono. Se il cavo o l'adattatore di alimentazione in dotazione non si adattano alla presa a muro, contattare l'elettricista.
27. Non calpestare il cavo di alimentazione. Assicurarsi che il cavo di alimentazione non si attorcigli, soprattutto sulla presa di rete e/o sull'adattatore di alimentazione e sul connettore dell'apparecchio.
28. Quando si collega l'apparecchio, assicurarsi che il cavo o l'adattatore di alimentazione siano sempre liberamente accessibili. Scollegare sempre l'apparecchio dall'alimentazione se non è in uso o se si desidera pulirlo. Scollegare sempre il cavo e l'adattatore di alimentazione dalla presa di corrente della spina o dell'adattatore, senza tirare il cavo. Non toccare mai il cavo di alimentazione e l'adattatore di alimentazione con le mani bagnate.
29. Dove possibile, evitare di accendere e spegnere l'apparecchio in rapida successione in quanto ciò può ridurre la vita utile dell'apparecchio.
30. **INFORMAZIONI IMPORTANTI:** sostituire i fusibili solamente con fusibili dello stesso tipo e della stessa potenza. Se un fusibile si brucia ripetutamente, contattare un centro di assistenza autorizzato.
31. Per scollegare completamente l'apparecchio dalla rete elettrica, scollegare il cavo o l'adattatore di alimentazione dalla presa di corrente.
32. Se il dispositivo è dotato di un connettore di alimentazione Volex, il connettore di accoppiamento Volex dell'apparecchio deve essere sbloccato prima di essere rimosso. Tuttavia, ciò significa anche che l'apparecchio può scivolare e cadere se il cavo di alimentazione viene tirato, il che può causare lesioni personali e/o altri danni. Per questo motivo, fare sempre attenzione quando durante la posa dei cavi.
33. Scollegare il cavo e l'adattatore di alimentazione dalla presa di corrente se esiste il rischio di fulmini o prima di periodi di inutilizzo prolungati.
34. L'apparecchio non deve essere utilizzato da persone (bambini compresi) con capacità fisiche, sensoriali o mentali ridotte o con mancanza di esperienza e conoscenze in materia.
35. Proibire a bambini di giocare con il dispositivo.
36. Se il cavo di alimentazione del dispositivo è danneggiato, non utilizzare il dispositivo. Il cavo di alimentazione deve essere sostituito con un cavo o un gruppo adeguato da un centro di assistenza autorizzato.

**ATTENZIONE:**

per ridurre il rischio di scosse elettriche, non rimuovere il coperchio (o il retro). All'interno non sono presenti parti riparabili dall'utente. La manutenzione e le riparazioni devono essere eseguite esclusivamente da personale di assistenza qualificato.



Il triangolo di avvertenza con il simbolo di un fulmine indica una tensione pericolosa non isolata all'interno dell'unità, che può causare una scossa elettrica.



Il triangolo di avvertenza con punto esclamativo indica importanti istruzioni per l'uso e la manutenzione.



Attenzione! Questo simbolo indica una superficie calda. Alcune parti dell'alloggiamento possono scaldarsi durante il funzionamento. Dopo l'uso, attendere almeno 10 minuti per il raffreddamento prima di maneggiare o trasportare il dispositivo.



Attenzione! Questo dispositivo è stato progettato per essere utilizzato al di sotto dei 2.000 metri di altitudine.



Attenzione! Questo prodotto non è destinato all'uso nei climi tropicali.

ATTENZIONE! VOLUMI ELEVATI NEI PRODOTTI AUDIO!

Questo dispositivo è destinato all'uso professionale. Pertanto, l'uso commerciale di questo apparecchio è soggetto alle norme e ai regolamenti nazionali rispettivamente applicabili in materia di prevenzione degli incidenti. In qualità di produttore, Adam Hall è tenuto a informare formalmente l'utente dell'esistenza di potenziali rischi per la salute.

Danni all'udito dovuti a un volume elevato e a un'esposizione prolungata: quando è in uso, questo prodotto è in grado di produrre livelli di pressione sonora (SPL) elevati che possono provocare danni irreversibili all'udito in artisti, personale tecnico e spettatori. Per questo motivo, evitare l'esposizione prolungata a volumi superiori a 90 dB.

INTRODUZIONE

LD Systems presenta una nuova serie di altoparlanti da installazione per interni ed esterni. I sistemi a 2 vie inclusi nel nuovo design dinamico LD Systems sono disponibili nelle versioni a bassa (8 ohm) e alta impedenza con un interruttore per le diverse connessioni dei trasformatori nelle applicazioni a 70 V o 100 V. Gli altoparlanti sono disponibili nelle dimensioni 3", 5,25" e 8". Per un'integrazione flessibile in vari sistemi acustici interni ed esterni, gli altoparlanti sono dotati di una staffa a parete integrata e un pratico meccanismo di scorrimento e blocco. Grazie al pannello di connessione integrato, gli altoparlanti possono essere utilizzati anche in ambienti in cui è richiesto un assetto "pulito" senza cavi visibili. Inoltre, il meccanismo di inclinazione a 27° e rotazione a 45° consente di posizionarli in modo accurato per ottenere una copertura acustica precisa. I nuovi altoparlanti per esterni sono disponibili in bianco e in nero.

CARATTERISTICHE: MODELLI CON TRASFORMATORE

- Altoparlanti LD Systems con nuovo design dinamico
- Sistema di altoparlanti a 2 vie
- Staffa a parete integrata con meccanismo di blocco e connessioni per l'altoparlante
- Idonei per uso interno ed esterno
- Griglia di alluminio per un'ottimale protezione contro la corrosione
- Orientabili in verticale e orizzontale, con angolo di inclinazione di 27° e rotazione di 45°
- Guida d'onda ottimizzata secondo BEM per una direttività costante
- Ampia apertura del fascio orizzontale di 120° e verticale di 80°
- Interruttore di selezione ingresso a 3 posizioni (16 Ω / 70 V / 100 V) e interruttore per connessioni del trasformatore
- Saturazione del trasformatore molto bassa
- Disponibili in nero (RAL 9005 = codice articolo che termina con B) e bianco (RAL 9010 = codice articolo che termina con W)
- Tipo di protezione
 - IP65 = DQQR3T (B/W)
 - IP55 = DQQR5T (B/W) e DQQR8T (B/W)

DQQR3T (B/W): sistema di altoparlanti a 2 vie con woofer da 3" e tweeter in titanio da 1" con raffreddamento FerroFluid™.
30 W a 16 ohm, connessioni del trasformatore 30 W - 6 W - 3 W - 1,5 W

DQQR5T (B/W): sistema di altoparlanti a 2 vie con woofer da 5,25" e tweeter in titanio da 1" con raffreddamento FerroFluid™.
70 W a 16 ohm, connessioni del trasformatore 70 W - 30 W - 15 W - 7,5 W - 3 W

DQQR8T (B/W): sistema di altoparlanti a 2 vie con woofer da 8" e tweeter in titanio da 1" con raffreddamento FerroFluid™.
120 W a 16 ohm, connessioni del trasformatore 120 W - 70 W - 30 W - 15 W - 7,5 W - 3 W

CONTENUTO DELLA CONFEZIONE

- DQQR3T (B/W) e DQQR5T (B/W): 1 coppia di altoparlanti / DQQR8T (B/W): 1 altoparlante
- Chiave esagonale per la vite di sicurezza della staffa a parete
- Manuale utente

CARATTERISTICHE: MODELLI A BASSA IMPEDENZA

- Altoparlanti LD Systems con nuovo design dinamico
- Sistema di altoparlanti a 2 vie
- Staffa a parete integrata con meccanismo di blocco e connessioni per l'altoparlante
- Idonei per uso interno ed esterno
- Griglia di alluminio per un'ottimale protezione contro la corrosione
- Orientabili in verticale e orizzontale, con angolo di inclinazione di 27° e rotazione di 45°
- Guida d'onda ottimizzata secondo BEM per una direttività costante
- Ampia apertura del fascio orizzontale di 120° e verticale di 80°
- Disponibili in nero (RAL 9005 = codice articolo che termina con B) e bianco (RAL 9010 = codice articolo che termina con W)
- Tipo di protezione
 - IP65 = DQQR3 (B/W)
 - IP55 = DQQR5 (B/W) e DQQR8 (B/W)

DQQR3 (B/W): sistema di altoparlanti a 2 vie con woofer da 3" e tweeter in titanio da 1" con raffreddamento FerroFluid™.
30 W potenza nominale 8 ohm impedenza

DQQR5 (B/W): sistema di altoparlanti a 2 vie con deep woofer da 5,25" e tweeter in titanio da 1" con raffreddamento FerroFluid™.
70 W potenza nominale 8 ohm impedenza

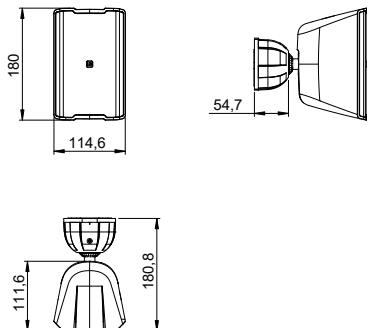
DQQR8 (B/W): sistema di altoparlanti a 2 vie con woofer da 8" e tweeter in titanio da 1" con raffreddamento FerroFluid™.
120 W potenza nominale 8 ohm impedenza

CONTENUTO DELLA CONFEZIONE

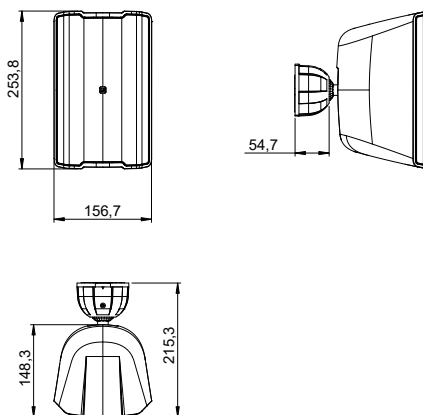
- DQOR3 (B/W) e DQOR5 (B/W): 1 coppia di altoparlanti / DQOR8 (B/W): 1 altoparlante
- Chiave esagonale per la vite di sicurezza della staffa a parete
- Manuale utente

MISURE (MM)

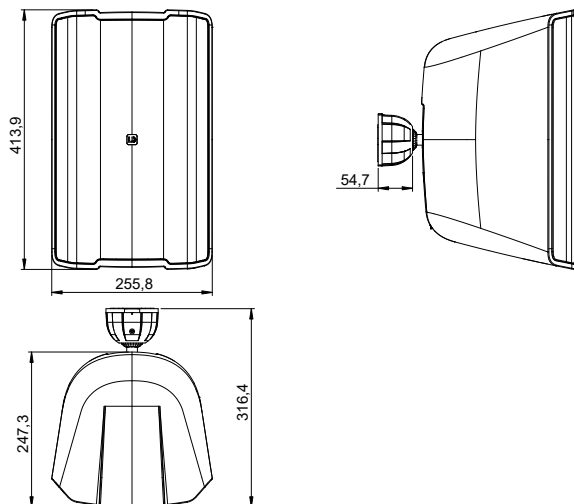
DQOR3 / DQOR3T



DQOR5 / DQOR5T



DQOR8 / DQOR8T



PIASTRA DI MONTAGGIO A PARETE

Nella piastra di montaggio a parete tonda sono presenti 4 fori per il fissaggio a parete. Considerare che sono necessarie delle viti a testa fresata per fissare la piastra ed è importante assicurarsi che la testa delle viti sia a livello con la piastra (le viti non sono incluse nel contenuto della confezione). La piastra di montaggio a parete è dotata di una morsetteria a 4 poli, contatti striscianti e due aperture per i cavi degli altoparlanti.



1 MORSETTIERA

Morsetteria a 4 poli con morsetto a molla per il collegamento del cavo di un altoparlante con sezione trasversale fino a 2,5 mm² e per l'invio del segnale dell'amplificatore a un altro altoparlante collegato in parallelo. Fare attenzione ai contrassegni posti direttamente sopra i contatti che indicano la polarità corretta. Aprire i contatti terminali della morsetteria facendo scorrere un piccolo cacciavite a taglio nella piccola apertura sopra il rispettivo contatto. A questo punto inserire il cavo spelato dell'altoparlante nel contatto terminale ed estrarre il cacciavite dall'apertura in modo che il contatto si chiuda.

2 BOCCOLA CENTRALE PER CAVI

Boccola centrale per cavi dell'altoparlante installato su una parete. Tirare delicatamente il cavo proveniente dalla parete attraverso il foro da 2 mm presente nella guarnizione in gomma. In questo modo il foro nella guarnizione in gomma si allarga circondando il cavo.

In caso di installazione all'esterno: se durante il montaggio la guarnizione in gomma si lacera, riparare le lacerazioni e i punti aperti con un sigillante al silicone.

3 CONTATTI STRISCIANTI

Quando l'altoparlante è collegato correttamente alla piastra di montaggio a parete, il segnale proveniente dall'amplificatore viene trasmesso tramite i contatti striscianti all'altoparlante.

4 BOCCOLA INFERIORE PER CAVI

Boccola inferiore per cavi dell'altoparlante installato su una parete. Per sbloccare la boccola per cavi, è necessario rimuovere il cappuccio di tenuta di plastica prima di fissare la piastra di montaggio a parete su una parete.

In caso di installazione all'esterno: sigillare i punti aperti tra il cavo e la boccola dopo l'installazione utilizzando un sigillante al silicone.



MONTAGGIO A PARETE

L'altoparlante è dotato di una staffa a parete con un pratico meccanismo di blocco. Grazie al pannello di connessione integrato, l'altoparlante può essere utilizzato anche in ambienti in cui è richiesto un assetto "pulito" senza cavi visibili. Il meccanismo di inclinazione a 27° e rotazione a 45° consente di posizionarlo in modo accurato per ottenere una copertura acustica precisa.



Informazioni importanti sulla sicurezza: l'installazione in sospensione richiede esperienza, incluso il calcolo dei limiti del carico di lavoro, il materiale di installazione utilizzato e i test di sicurezza generici di tutto il materiale di installazione e gli altoparlanti. Se non si è qualificati, non cercare di eseguire l'installazione da soli, ma contattare una ditta specializzata!

1 Prima di installare l'altoparlante, rimuovere la piastra di montaggio a parete dalla staffa.

Per farlo, allentare le vite di sicurezza **A** nel dado di unione semisferico utilizzando la chiave esagonale inclusa, ruotare in senso antiorario il dado di unione dalla staffa a parete e tirare verso il basso la piastra **B** di montaggio a parete estraendola dalla staffa.

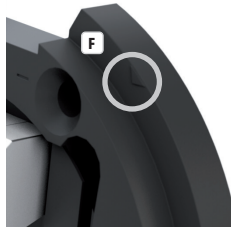
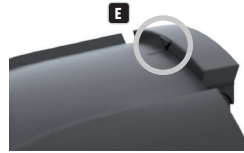
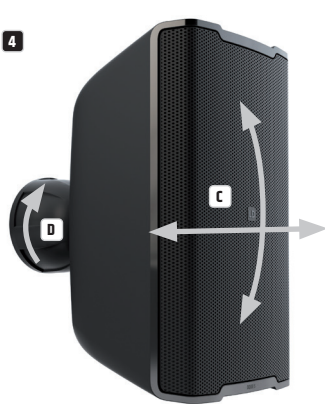




2 Fissare saldamente la piastra di montaggio a parete con la morsetteria sulla parte superiore utilizzando viti idonee su una parete capace di supportarne il peso. Qualora i cavi dell'altoparlante si trovassero sotto l'intonaco, il cavo corrispondente deve essere inserito attraverso la boccola centrale per cavi prima di fissare la piastra di montaggio a parete. A questo punto collegare i cavi dell'altoparlante ai contatti corrispondenti della morsetteria.

3 Far scorrere l'altoparlante con la staffa a parete dall'alto sulla piastra di montaggio a parete in modo che i contatti sull'altoparlante scorrono nelle scanalature della guida dei contatti striscianti della piastra di montaggio a parete e il gancio di fissaggio si incastrano nella rientranza corrispondente.

4 Utilizzando il giunto a sfera nella staffa a parete, l'altoparlante può essere ruotato in posizione verticale o orizzontale (in entrambi i casi fino a 180°). Quindi inclinare e ruotare l'altoparlante nella direzione del fascio desiderata **C**. A questo punto fissare l'altoparlante avvitando il dado di unione semisferico **D** in senso orario sulla filettatura associata finché il contrassegno sul dado di unione corrisponde al contrassegno sul gancio di fissaggio **E** o al contrassegno sulla piastra di montaggio a parete **F** per assicurarsi che anche la vite di sicurezza possa essere fissata su uno dei due fori passanti nell'anello metallico.



5 Fissare il giunto a sfera e il dado di unione semisferico per evitare che si spostino, serrando la vite di sicurezza nel dado di unione in senso orario utilizzando la chiave esagonale inclusa **G**. Nel farlo, assicurarsi che la vite sia inserita completamente.



MODELLI CON TRASFORMATORE

L'interruttore a 3 posizioni per la modalità operativa e l'interruttore per le connessioni del trasformatore si trovano al di sotto della staffa a parete in una sezione di controllo dietro un coperchio ermetico in gomma nei modelli DQOR 3T(B/W), DQOR 5T(B/W) e DQOR 8T(B/W). **A** Sollevare il coperchio in gomma al fine di selezionare le impostazioni desiderate e in seguito richiudere bene il comparto di controllo.



1 MODALITÀ OPERATIVA 16 Ω / 70 V / 100 V

Interruttore a 3 posizioni per regolare l'altoparlante da installazione per amplificatori da installazione da 70 V o 100 V oppure per amplificatori con uscita a bassa impedenza (16 ohm). Spostare l'interruttore nella posizione corrispondente prima di collegare all'amplificatore.

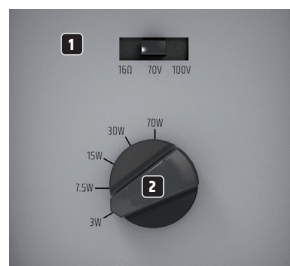
2 CONNESSIONI DEL TRASFORMATORE

Interruttore per selezionare la connessione del trasformatore desiderata (nell'esempio è indicato il modello DQOR5TW).

DQOR 3T(B/W): 30 W - 6 W - 3 W - 1,5 W

DQOR 5T(B/W): 70 W - 30 W - 15 W - 7,5 W - 3 W

DQOR 8T(B/W): 120 W - 70 W - 30 W - 15 W - 7,5 W - 3 W



ACCESSORIO OPZIONALE

I coperchi in gomma per la connessione degli altoparlanti e la piastra di montaggio a parete sono disponibili come optional (2 set inclusi).

Codice articolo: LDDQORWMC



DATI TECNICI

Codice articolo:	LDDQOR3(B/W)	LDDQOR3T(B/W)
Tipo di prodotto	Altoparlante da installazione	
Tipo	Passivo	
Dimensione woofer	3", 76,2 mm	
Magnete woofer	Ferrite	
Marchio woofer	Personalizzato	
Bobina mobile woofer	1", 25,4 mm	
Segnale acustico	Guida d'onda CD ottimizzata secondo BEM	
Dimensioni unità HF	1", 25,4 mm	
Magnete unità HF	Neodimio	
Marchio unità HF	Personalizzato	
Bobina mobile unità HF	1", 25,4 mm	
Angolo del fascio (H x V)	120° x 80° (-6 dB)	
Potenza nominale (RMS)	30 W	
Potenza nominale (picco)	60 W (>200 Hz)	
Risposta in frequenza	85 - 20000 Hz (-10 dB)	
Frequenza di crossover	2200 Hz	
SPL (1 W/1 m)	80 dB	
Guadagno max.	98 dB	
Impedenza	8 ohm	16 ohm
Interruttore di selezione dell'ingresso	-	70 V - 100 V - 16 ohm
Connessioni di alimentazione trasformatore 100 V	-	30 - 6 - 3 - 1,5 W
Connessioni di alimentazione trasformatore 70 V	-	30 - 6 - 3 - 1,5 W
Connessioni di ingresso altoparlanti	morsetteria a 4 poli. Passo 5,08 mm	
Materiale alloggiamento	Plastica ABS	
Classe di protezione IP	65	
Colore alloggiamento	Bianco (RAL 9010) / nero (RAL 9005)	
Larghezza	114,6 mm	
Altezza	180 mm	
Profondità	180,8 mm	
Accessori inclusi	Staffa per montaggio superficiale Chiave a brugola per vite di sicurezza	
Accessorio opzionale	LDDQORWMC (set coperchio in gomma per staffa a parete)	
Peso	1,4 kg	2,1 kg

ENGLISH

DEUTSCH

FRANÇAIS

ESPAÑOL

POLSKI

ITALIANO

ENGLISH

DEUTSCH

FRANÇAIS

ESPAÑOL

POLSKI

ITALIANO

Codice articolo:	LDDQR5(B/W)	LDDQR5T(B/W)
Tipo di prodotto	Altoparlante da installazione	
Tipo	Passivo	
Dimensione woofer	5,25", 133 mm	
Magnete woofer	Ferrite	
Marchio woofer	Personalizzato	
Bobina mobile woofer	1", 25,4 mm	
Segnale acustico	Guida d'onda CD ottimizzata secondo BEM	
Dimensioni unità HF	1", 25,4 mm	
Magnete unità HF	Neodimio	
Marchio unità HF	Personalizzato	
Bobina mobile unità HF	1", 25,4 mm	
Angolo del fascio (H x V)	120° x 80° (-6 dB)	
Potenza nominale (RMS)	70 W	
Potenza nominale (picco)	140 W (>200 Hz)	
Risposta in frequenza	74 - 20000 Hz (-10 dB)	
Frequenza di crossover	1900 Hz	
SPL (1 W/1 m)	84 dB	
Guadagno max.	105 dB	
Impedenza	8 ohm	16 ohm
Interruttore di selezione dell'ingresso	-	70 V - 100 V - 16 ohm
Connessioni di alimentazione trasformatore 100 V	-	70 - 30 - 15 - 7,5 - 3 W
Connessioni di alimentazione trasformatore 70 V	-	70 - 30 - 15 - 7,5 - 3 W
Connessioni di ingresso altoparlanti	morsettiera a 4 poli. Passo 5,08 mm	
Materiale alloggiamento	Plastica ABS	
Classe di protezione IP	55	
Colore alloggiamento	Bianco (RAL 9010) / nero (RAL 9005)	
Larghezza	156,7 mm	
Altezza	253,8 mm	
Profondità	215,3 mm	
Accessori inclusi	Staffa per montaggio superficiale Chiave a brugola per vite di sicurezza	
Accessorio opzionale	LDDQRWMC (set coperchio in gomma per staffa a parete)	
Peso	2,7 kg	3,9 kg

Codice articolo:	LDDQ0R8(B/W)	LDDQ0R8T(B/W)
Tipo di prodotto	Altoparlante da installazione	
Tipo	Passivo	
Dimensione woofer	8", 200 mm	
Magnete woofer	Ferrite	
Marchio woofer	Personalizzato	
Bobina mobile woofer	2", 50,8 mm	
Segnale acustico	Guida d'onda CD ottimizzata secondo BEM	
Dimensioni unità HF	1", 25,4 mm	
Magnete unità HF	Neodimio	
Marchio unità HF	Personalizzato	
Bobina mobile unità HF	1", 25,4 mm	
Angolo del fascio (H x V)	120° x 80° (-6 dB)	
Potenza nominale (RMS)	120 W	
Potenza nominale (picco)	240 W (>200 Hz)	
Risposta in frequenza	62 - 20000 Hz (-10 dB)	
Frequenza di crossover	1800 Hz	
SPL (1 W/1 m)	88 dB	
Guadagno max.	109 dB	
Impedenza	8 ohm	16 ohm
Interruttore di selezione dell'ingresso	-	70 V - 100 V - 16 ohm
Connessioni di alimentazione trasformatore 100 V	-	120 - 70 - 30 - 15 - 7,5 - 3 W
Connessioni di alimentazione trasformatore 70 V	-	120 - 70 - 30 - 15 - 7,5 - 3 W
Connessioni di ingresso altoparlanti	morsettiera a 4 poli. Passo 5,08 mm	
Materiale alloggiamento	Plastica ABS	
Classe di protezione IP	55	
Colore alloggiamento	Bianco (RAL 9010) / nero (RAL 9005)	
Larghezza	255,8 mm	
Altezza	413,9 mm	
Profondità	316,4 mm	
Accessori inclusi	Staffa per montaggio superficiale Chiave a brugola per vite di sicurezza	
Accessorio opzionale	LDDQ0RWC (set coperchio in gomma per staffa a parete)	
Peso	5,2 kg	7,2 kg

ENGLISH

DEUTSCH

FRANÇAIS

ESPAÑOL

POLSKI

ITALIANO

DICHIARAZIONI DEL PRODUTTORE

GARANZIA DEL PRODUTTORE E LIMITAZIONE DI RESPONSABILITÀ

Le nostre attuali condizioni di garanzia e la limitazione di responsabilità sono consultabili alla pagina: https://cdn-shop.adamhall.com/media/pdf/MANUFACTURERS-DECLARATIONS_LD_SYSTEMS.pdf. In caso di assistenza, rivolgersi a Adam Hall GmbH, Adam-Hall-Str. 1, 61267 Neu Anspach / E-mail info@adamhall.com / +49 (0)6081 / 9419-0.



CORRETTO SMALTIMENTO DEL PRODOTTO

(In vigore nell'Unione Europea e in altri Paesi europei in cui si attui la raccolta differenziata) Questo simbolo apposto sul prodotto o sui relativi documenti indica che, per evitare danni all'ambiente e alle persone causati da uno smaltimento incontrollato dei rifiuti, alla fine del suo ciclo di vita l'apparecchio non deve essere smaltito insieme ai normali rifiuti domestici. Il prodotto deve quindi essere smaltito separatamente da altri rifiuti e riciclato nell'ottica dell'incentivazione di cicli economici sostenibili. I clienti privati possono richiedere informazioni sulle possibilità di smaltimento ecosostenibile al rivenditore presso il quale è stato acquistato il prodotto o presso le autorità regionali competenti. I clienti aziendali devono invece contattare il proprio fornitore e controllare le eventuali condizioni contrattuali inerenti allo smaltimento degli apparecchi. Questo prodotto non deve essere smaltito assieme ad altri rifiuti industriali.

CONFORMITÀ CE

Con la presente Adam Hall GmbH dichiara che questo prodotto soddisfa le seguenti direttive (ove pertinente):

Direttiva R&TTE (1999/5/CE) e RED (2014/53/UE) da giugno 2017

Direttiva bassa tensione (2014/35/CE)

Direttiva CEM (2014/30/UE)

RoHS (2011/65/UE)

La dichiarazione di conformità completa è reperibile al sito www.adamhall.com.

Per ulteriori informazioni è inoltre possibile scrivere a info@adamhall.com.

DICHIARAZIONE CE DI CONFORMITÀ

Adam Hall GmbH dichiara che questo tipo di apparecchiature radio è conforme alla direttiva 2014/53/UE.

Il testo integrale della dichiarazione di conformità UE è disponibile al seguente indirizzo

Indirizzo Internet: www.adamhall.com/compliance/

Sono riservati errori e refusi, nonché modifiche tecniche o di altro tipo!

