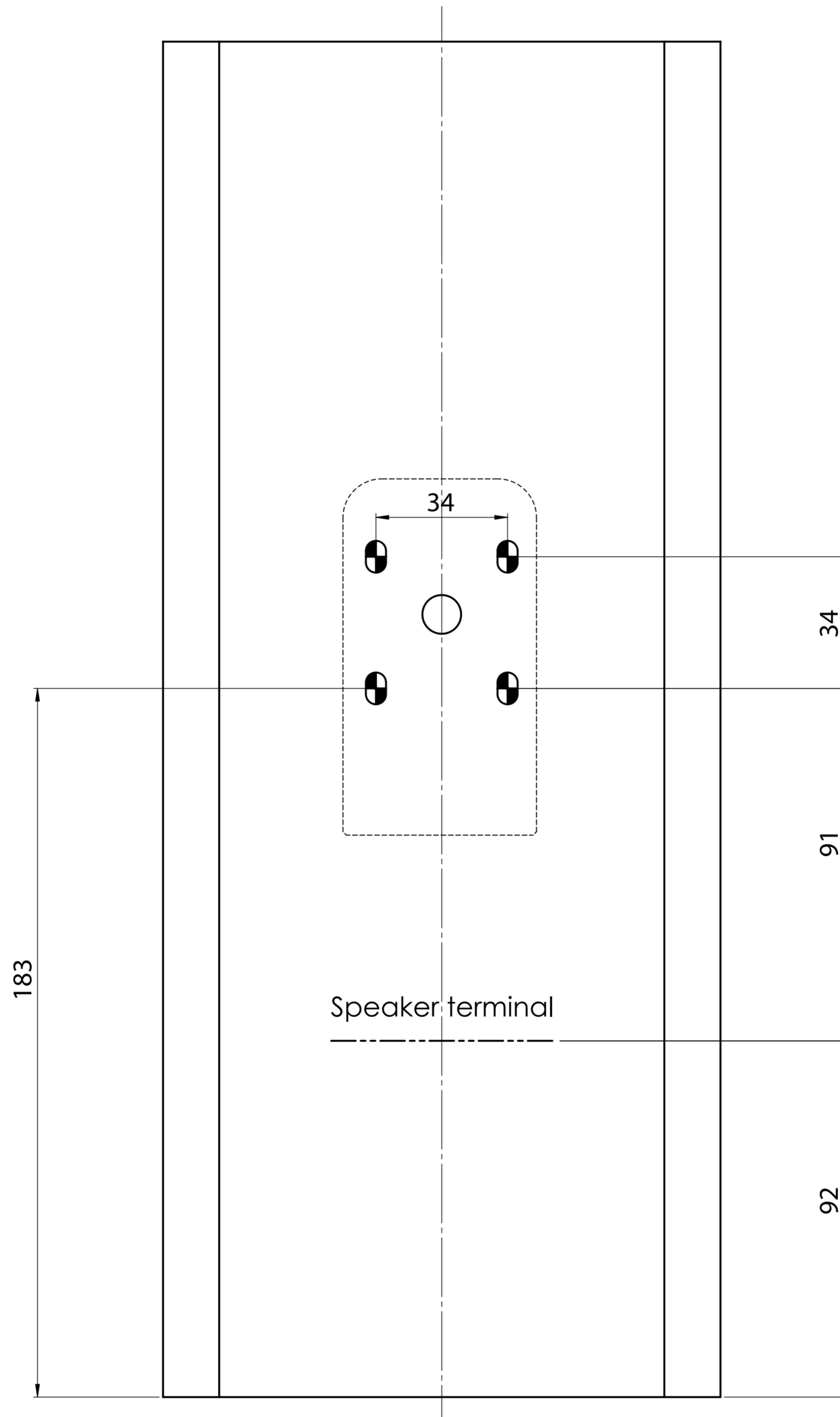
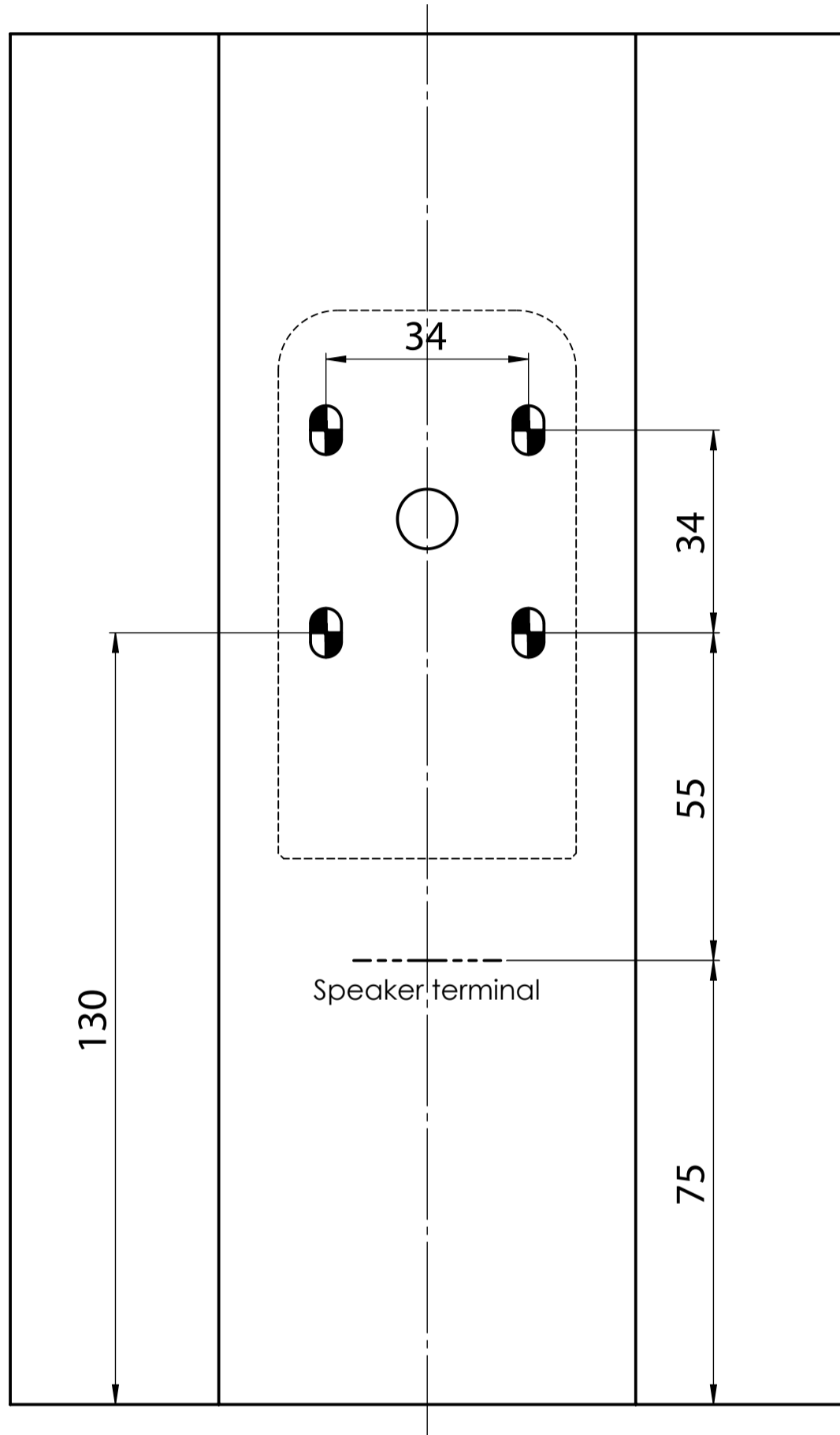


Drilling Jig for
LDDAVE8ROADIE SAT
when using LDSATWMB10 B/W



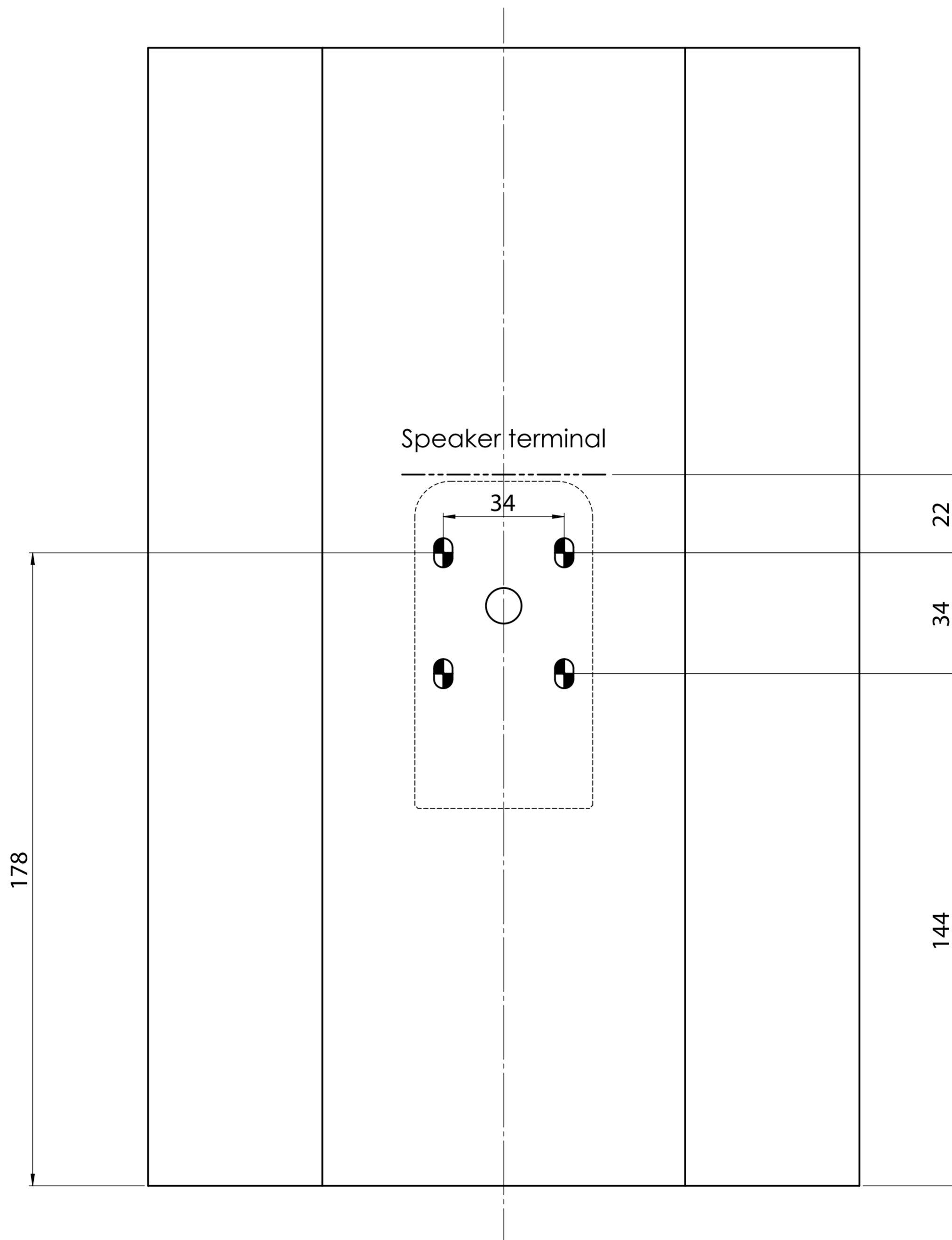
⊕ = wall facing mounting holes

Drilling Jig for
LDSAT42G2
when using LDSATWMB10 B/W



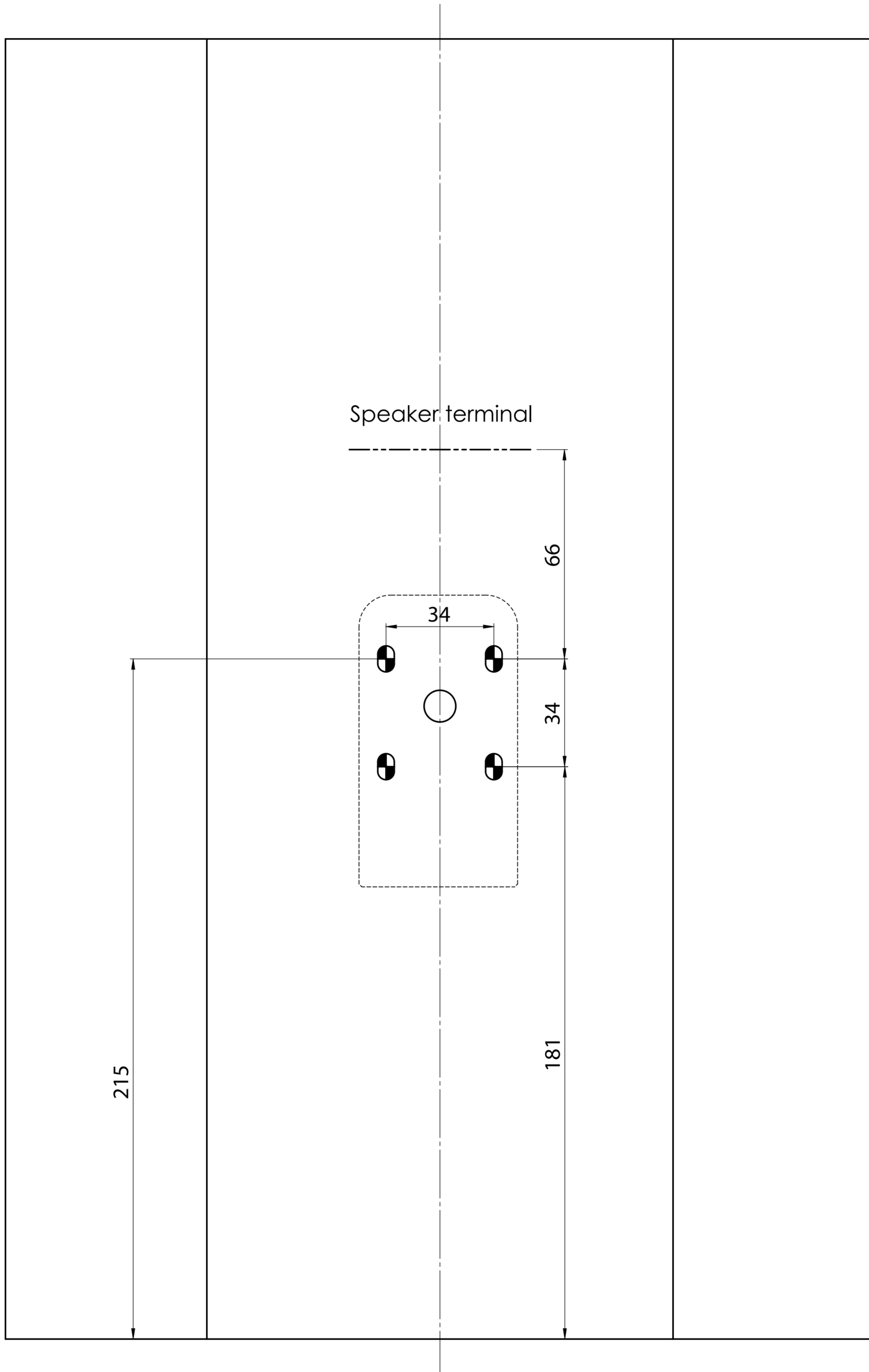
 = Wall facing mounting holes

Drilling Jig for
LDSAT62AG2
when using LDSATWMB10 B/W



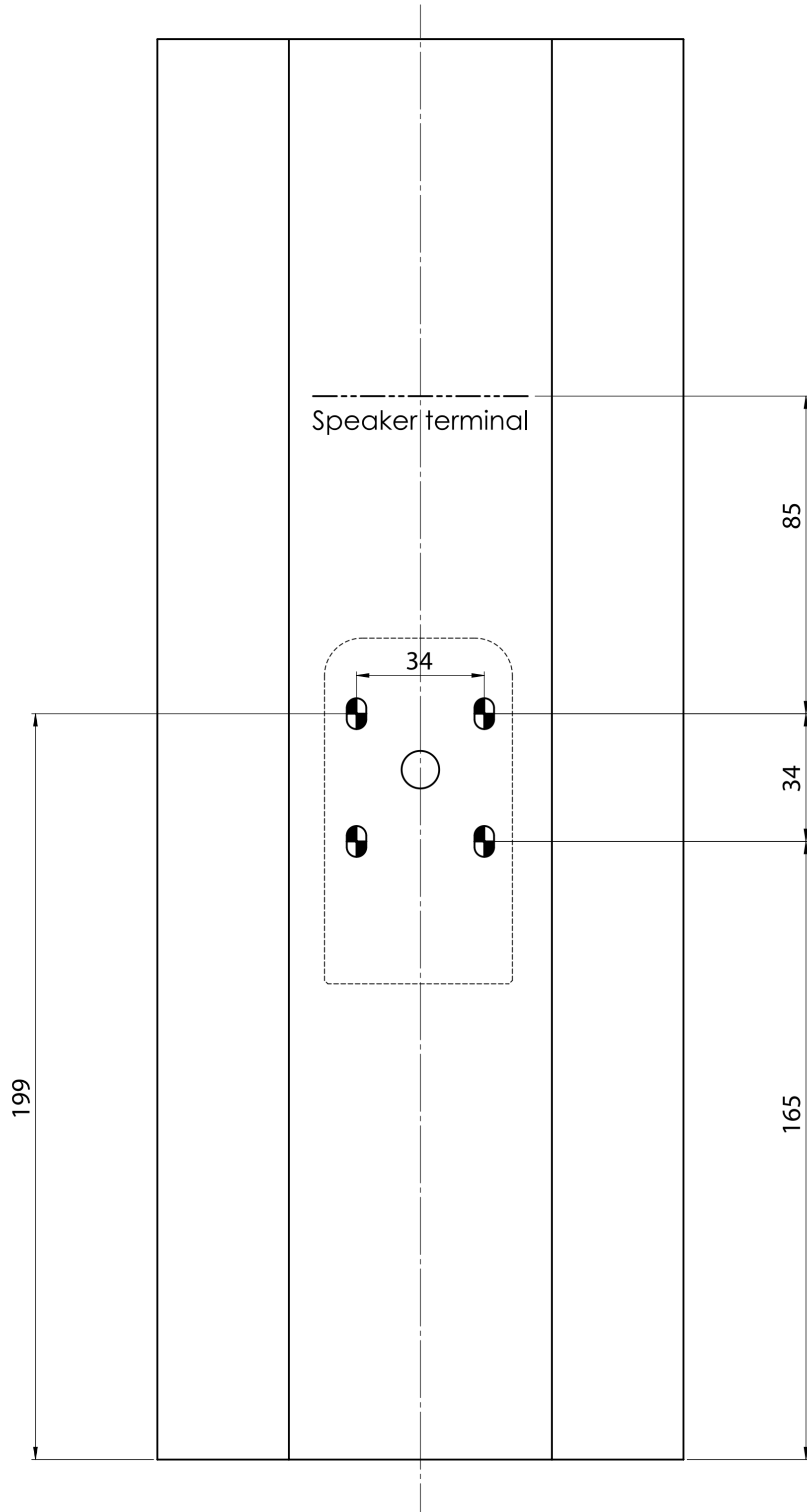
⊕ = wall facing mounting holes

Drilling Jig for LDSAT82G2 when using LDSATWMB10 B/W



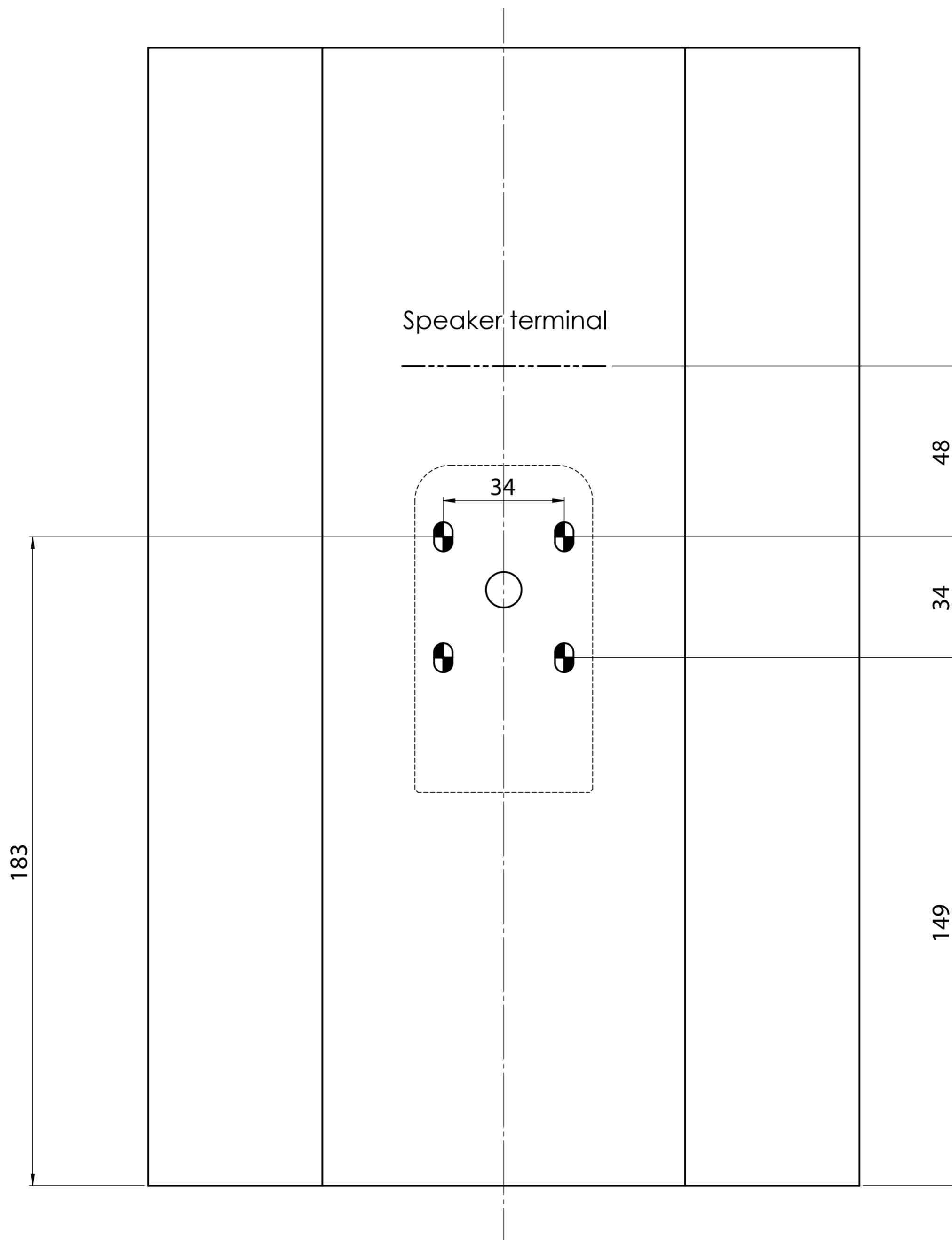
⊕ = wall facing mounting holes

Drilling Jig for
LDSAT242G2
when using LDSATWMB10 B/W



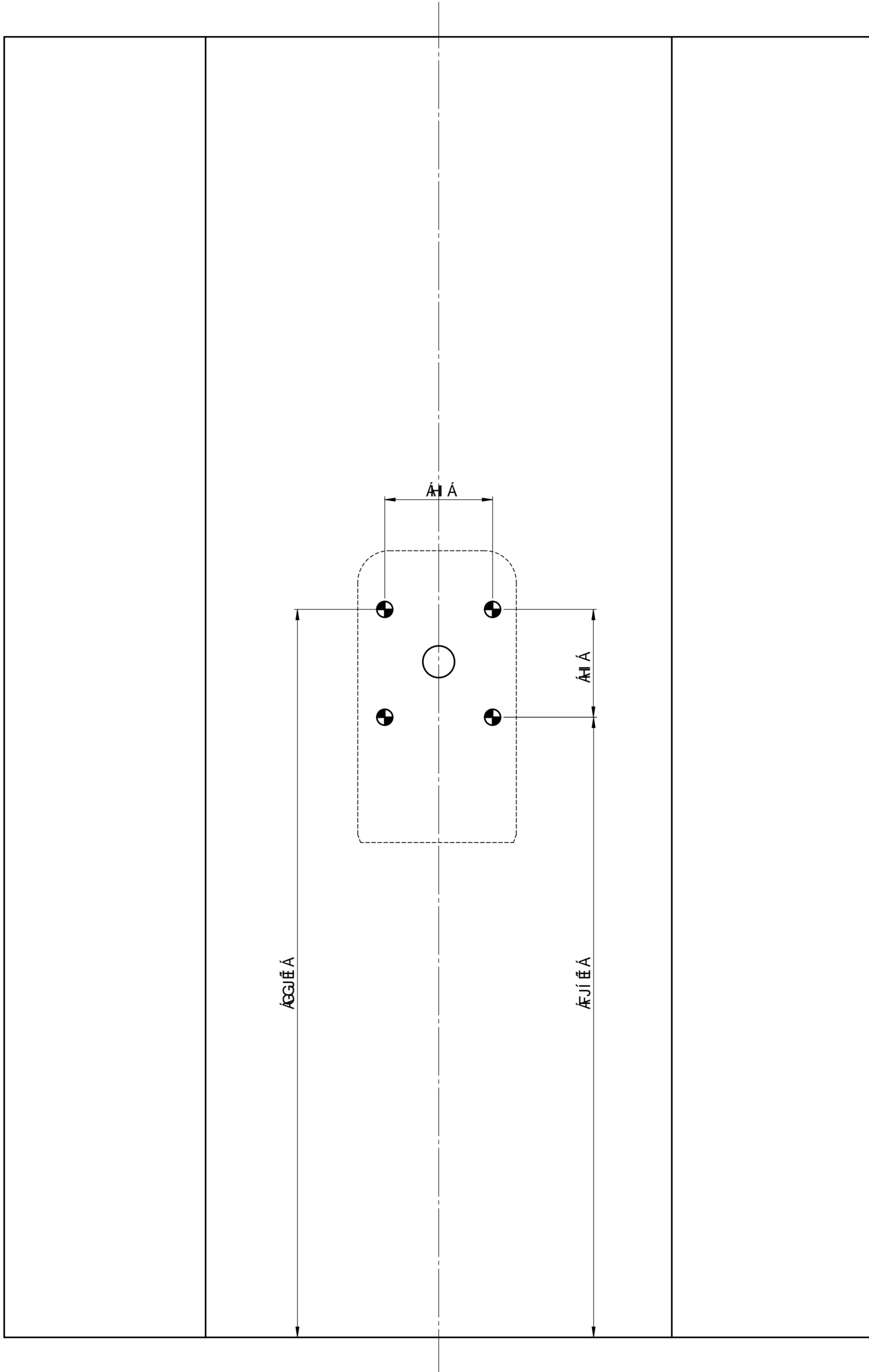
 = wall facing mounting holes

Drilling Jig for
LDSAT62G2
when using LDSATWMB10 B/W



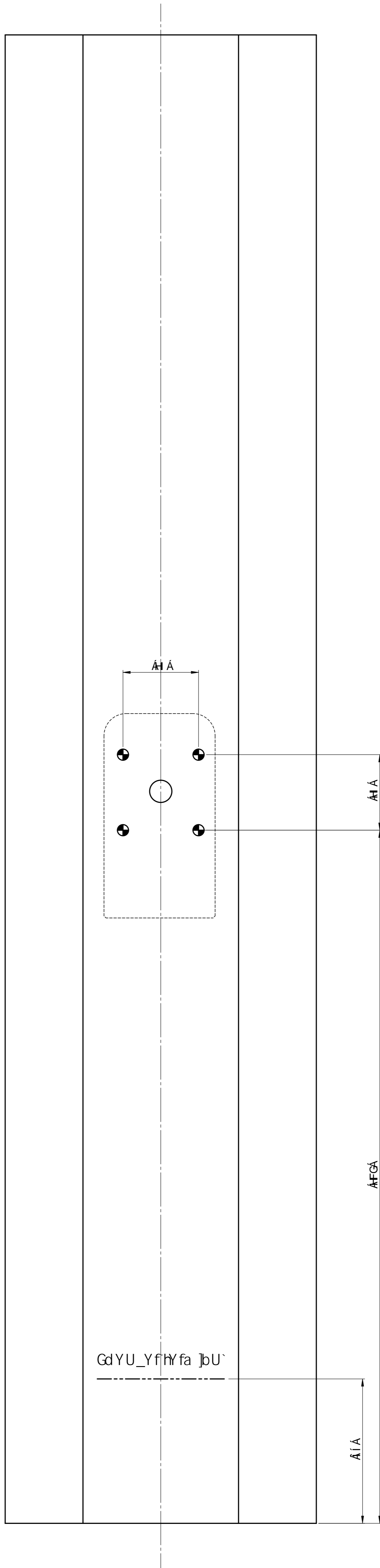
 = wall facing mounting holes

8f]`]b[`>][`Zcf
@8G5H &5; &
k \Yb'i g]b[`G K A 6%\$'6#K



⊕ 1`k U``ZUW]b[`a ci bh]b[`c`Yg

8f]`b[`>][`zcf
@8G5H(& &
k \Yb`i g]b[`G K A 6%\$`6#K



⊕ 1`k U`ZUW]b[`a ci bh]b[`c`Yg